



MIPS32® 24KE™ Processor Core Family Software User's Manual

Document Number: MD00468

Revision 01.02

December 20, 2005

**MIPS Technologies, Inc.
1225 Charleston Road
Mountain View, CA 94043-1353**

Copyright © 2005 MIPS Technologies Inc. All rights reserved.

Copyright © 2005 MIPS Technologies, Inc. All rights reserved.

Unpublished rights (if any) reserved under the copyright laws of the United States of America and other countries.

This document contains information that is proprietary to MIPS Technologies, Inc. ("MIPS Technologies"). Any copying, reproducing, modifying or use of this information (in whole or in part) that is not expressly permitted in writing by MIPS Technologies or an authorized third party is strictly prohibited. At a minimum, this information is protected under unfair competition and copyright laws. Violations thereof may result in criminal penalties and fines.

Any document provided in source format (i.e., in a modifiable form such as in FrameMaker or Microsoft Word format) is subject to use and distribution restrictions that are independent of and supplemental to any and all confidentiality restrictions. UNDER NO CIRCUMSTANCES MAY A DOCUMENT PROVIDED IN SOURCE FORMAT BE DISTRIBUTED TO A THIRD PARTY IN SOURCE FORMAT WITHOUT THE EXPRESS WRITTEN PERMISSION OF MIPS TECHNOLOGIES, INC.

MIPS Technologies reserves the right to change the information contained in this document to improve function, design or otherwise. MIPS Technologies does not assume any liability arising out of the application or use of this information, or of any error or omission in such information. Any warranties, whether express, statutory, implied or otherwise, including but not limited to the implied warranties of merchantability or fitness for a particular purpose, are excluded. Except as expressly provided in any written license agreement from MIPS Technologies or an authorized third party, the furnishing of this document does not give recipient any license to any intellectual property rights, including any patent rights, that cover the information in this document.

The information contained in this document shall not be exported, reexported, transferred, or released, directly or indirectly, in violation of the law of any country or international law, regulation, treaty, Executive Order, statute, amendments or supplements thereto. Should a conflict arise regarding the export, reexport, transfer, or release of the information contained in this document, the laws of the United States of America shall be the governing law.

The information contained in this document constitutes one or more of the following: commercial computer software, commercial computer software documentation or other commercial items. If the user of this information, or any related documentation of any kind, including related technical data or manuals, is an agency, department, or other entity of the United States government ("Government"), the use, duplication, reproduction, release, modification, disclosure, or transfer of this information, or any related documentation of any kind, is restricted in accordance with Federal Acquisition Regulation 12.212 for civilian agencies and Defense Federal Acquisition Regulation Supplement 227.7202 for military agencies. The use of this information by the Government is further restricted in accordance with the terms of the license agreement(s) and/or applicable contract terms and conditions covering this information from MIPS Technologies or an authorized third party.

MIPS, MIPS I, MIPS II, MIPS III, MIPS IV, MIPS V, MIPS-3D, MIPS16, MIPS16e, MIPS32, MIPS64, MIPS-Based, MIPSsim, MIPSpro, MIPS Technologies logo, MIPS RISC CERTIFIED POWER logo, MIPS-VERIFIED, 4K, 4Kc, 4Km, 4Kp, 4KE, 4KEc, 4KEm, 4KEp, 4KS, 4KSc, 4KSd, M4K, 5K, 5Kc, 5Kf, 20K, 20Kc, 24K, 24Kc, 24Kf, 24KE, 24KEc, 24KEf, 25Kf, 34K, 34Kc, 34Kf, R3000, R4000, R5000, ASMACRO, Atlas, "At the core of the user experience.", BusBridge, CorExtend, CoreFPGA, CoreLV, EC, JALGO, Malta, MDMX, MGB, PDtrace, the Pipeline, Pro Series, QuickMIPS, SEAD, SEAD-2, SmartMIPS, SOC-it, and YAMON are trademarks or registered trademarks of MIPS Technologies, Inc. in the United States and other countries.

All other trademarks referred to herein are the property of their respective owners.

Template: B1.15, Built with tags: 2B MIPS32 PROC

Table of Contents

Chapter 1 Introduction to the MIPS32® 24KE™ Processor Core Family	1
1.1 24KE™ Core Features	2
1.2 24KE™ Core Block Diagram	4
1.2.1 Logic Blocks	5
Chapter 2 Pipeline of the 24KE™ Core	13
2.1 Pipeline Stages	13
2.1.1 IF Stage: Instruction Fetch First	14
2.1.2 IS - Instruction Fetch Second	14
2.1.3 IR - Instruction Recode	14
2.1.4 IK - Instruction Kill	14
2.1.5 IT - Instruction Fetch Third	15
2.1.6 RF - Register File Access	15
2.1.7 AG - Address Generation	15
2.1.8 EX - Execute/Memory Access	15
2.1.9 MS - Memory Access Second	15
2.1.10 ER- Exception Resolution	15
2.1.11 WB - Writeback	15
2.2 Instruction Fetch	15
2.2.1 Branch History Table	18
2.2.2 Return Prediction Stack	19
2.2.3 ITLB	19
2.2.4 Cache Miss Timing	20
2.2.5 MIPS16e™	20
2.3 Load Store Unit	21
2.3.1 DTLB	22
2.3.2 Data Cache Access	23
2.3.3 Outstanding misses	24
2.3.4 Uncached Accesses	24
2.4 MDU Pipeline	24
2.4.1 DSP ASE Instruction Latencies	26
2.4.2 Multiply Pipeline Stages	28
2.4.3 Divide Operations	30
2.5 Skewed ALU	31
2.6 Interlock Handling	32
2.7 Instruction Interlocks	33
2.8 Hazards	34
2.8.1 Types of Hazards	34
2.8.2 Instruction Listing	36
2.8.3 Eliminating Hazards	37
Chapter 3 Floating-Point Unit of the 24KEf™ Core	39
3.1 Features Overview	39
3.1.1 IEEE Standard 754	40
3.2 Enabling the Floating-Point Coprocessor	40
3.3 Data Formats	40
3.3.1 Floating-Point Formats	41
3.3.2 Fixed-Point Formats	44
3.4 Floating-Point General Registers	44
3.4.1 FPRs and Formatted Operand Layout	45
3.4.2 Formats of Values Used in FP Registers	45

3.4.3 Binary Data Transfers (32-Bit and 64-Bit)	46
3.5 Floating-Point Control Registers	47
3.5.1 Floating-Point Implementation Register (FIR, CP1 Control Register 0)	49
3.5.2 Floating-Point Condition Codes Register (FCCR, CP1 Control Register 25)	50
3.5.3 Floating-Point Exceptions Register (FEXR, CP1 Control Register 26)	51
3.5.4 Floating-Point Enables Register (FENR, CP1 Control Register 28)	52
3.5.5 Floating-Point Control and Status Register (FCSR, CP1 Control Register 31)	52
3.5.6 Operation of the FS/FO/FN Bits	54
3.5.7 FCSR Cause Bit Update Flow	57
3.6 Instruction Overview	58
3.6.1 Data Transfer Instructions	58
3.6.2 Arithmetic Instructions	59
3.6.3 Conversion Instructions	61
3.6.4 Formatted Operand-Value Move Instructions	61
3.6.5 Conditional Branch Instructions	62
3.6.6 Miscellaneous Instructions	63
3.7 Exceptions	63
3.7.1 Precise Exception Mode	63
3.7.2 Exception Conditions	64
3.8 Pipeline and Performance	66
3.8.1 Pipeline Overview	66
3.8.2 Bypassing	68
3.8.3 Repeat Rate and Latency	68
Chapter 4 The MIPS® DSP Application-Specific Extension to the MIPS32® Instruction Set	71
4.1 Additional Register State for the DSP ASE	71
4.1.1 Additional HI-LO Registers	71
4.1.2 DSP Control Register	71
4.2 Software Detection of the DSP ASE	73
Chapter 5 Memory Management of the 24KE™ Core	77
5.1 Introduction	77
5.2 Modes of Operation	79
5.2.1 Virtual Memory Segments	79
5.2.2 User Mode	81
5.2.3 Supervisor Mode	82
5.2.4 Kernel Mode	83
5.2.5 Debug Mode	85
5.3 Translation Lookaside Buffer	87
5.3.1 Joint TLB	87
5.3.2 Instruction TLB	90
5.3.3 Data TLB	90
5.4 Virtual-to-Physical Address Translation	90
5.4.1 Hits, Misses, and Multiple Matches	92
5.4.2 Memory Space	93
5.4.3 TLB Instructions	94
5.5 Fixed Mapping MMU	95
5.6 System Control Coprocessor	97
Chapter 6 Exceptions and Interrupts in the 24KE™ Core	99
6.1 Exception Conditions	99
6.2 Exception Priority	100
6.3 Interrupts	101
6.3.1 Interrupt Modes	101
6.3.2 Generation of Exception Vector Offsets for Vectored Interrupts	109
6.4 GPR Shadow Registers	110

6.5 Exception Vector Locations	111
6.6 General Exception Processing	112
6.7 Debug Exception Processing	115
6.8 Exceptions	116
6.8.1 Reset Exception	116
6.8.2 Debug Single Step Exception	117
6.8.3 Debug Interrupt Exception	117
6.8.4 Non-Maskable Interrupt (NMI) Exception	118
6.8.5 Machine Check Exception	118
6.8.6 Interrupt Exception	119
6.8.7 Debug Instruction Break Exception	119
6.8.8 Watch Exception — Instruction Fetch or Data Access	119
6.8.9 Address Error Exception — Instruction Fetch/Data Access	120
6.8.10 TLB Refill Exception — Instruction Fetch or Data Access	121
6.8.11 TLB Invalid Exception — Instruction Fetch or Data Access	121
6.8.12 Cache Error Exception	122
6.8.13 Bus Error Exception — Instruction Fetch or Data Access	122
6.8.14 Debug Software Breakpoint Exception	123
6.8.15 Execution Exception — System Call	123
6.8.16 Execution Exception — Breakpoint	123
6.8.17 Execution Exception — Reserved Instruction	124
6.8.18 Execution Exception — Coprocessor Unusable	124
6.8.19 Execution Exception — CorExtend block Unusable	124
6.8.20 Execution Exception — DSP ASE State Disabled	125
6.8.21 Execution Exception — Floating Point Exception	125
6.8.22 Execution Exception — Integer Overflow	125
6.8.23 Execution Exception — Trap	126
6.8.24 Execution Exception — C2E	126
6.8.25 Execution Exception — IS1	126
6.8.26 Debug Data Break Exception	127
6.8.27 TLB Modified Exception — Data Access	127
6.9 Exception Handling and Servicing Flowcharts	127
Chapter 7 CP0 Registers of the 24KE™ Core	135
7.1 CP0 Register Summary	136
7.2 CP0 Register Descriptions	138
7.2.1 <i>Index</i> Register (CP0 Register 0, Select 0)	139
7.2.2 <i>Random</i> Register (CP0 Register 1, Select 0)	140
7.2.3 <i>EntryLo0</i> and <i>EntryLo1</i> Registers (CP0 Registers 2 and 3, Select 0)	141
7.2.4 <i>Context</i> Register (CP0 Register 4, Select 0)	143
7.2.5 <i>PageMask</i> Register (CP0 Register 5, Select 0)	144
7.2.6 <i>Wired</i> Register (CP0 Register 6, Select 0)	145
7.2.7 <i>HWREna</i> Register (CP0 Register 7, Select 0)	146
7.2.8 <i>BadVAddr</i> Register (CP0 Register 8, Select 0)	147
7.2.9 <i>Count</i> Register (CP0 Register 9, Select 0)	148
7.2.10 <i>EntryHi</i> Register (CP0 Register 10, Select 0)	149
7.2.11 <i>Compare</i> Register (CP0 Register 11, Select 0)	150
7.2.12 <i>Status</i> Register (CP0 Register 12, Select 0)	151
7.2.13 <i>IntCtl</i> Register (CP0 Register 12, Select 1)	157
7.2.14 <i>SRSCtl</i> Register (CP0 Register 12, Select 2)	159
7.2.15 <i>SRSMaP</i> Register (CP0 Register 12, Select 3)	162
7.2.16 <i>Cause</i> Register (CP0 Register 13, Select 0)	163
7.2.17 Exception Program Counter (CP0 Register 14, Select 0)	167
7.2.18 Processor Identification (CP0 Register 15, Select 0)	168
7.2.19 <i>EBase</i> Register (CP0 Register 15, Select 1)	169
7.2.20 <i>Config</i> Register (CP0 Register 16, Select 0)	170

7.2.21	<i>Config1</i> Register (CP0 Register 16, Select 1)	172
7.2.22	<i>Config2</i> Register (CP0 Register 16, Select 2)	174
7.2.23	<i>Config3</i> Register (CP0 Register 16, Select 3)	176
7.2.24	<i>Config7</i> Register (CP0 Register 16, Select 7)	178
7.2.25	<i>WatchLo</i> Register (CP0 Register 18, Select 0-3)	180
7.2.26	<i>WatchHi</i> Register (CP0 Register 19, Select 0-3)	181
7.2.27	<i>Debug</i> Register (CP0 Register 23, Select 0)	183
7.2.28	<i>Trace Control</i> Register (CP0 Register 23, Select 1)	186
7.2.29	<i>Trace Control2</i> Register (CP0 Register 23, Select 2)	189
7.2.30	<i>User Trace Data</i> Register (CP0 Register 23, Select 3)	192
7.2.31	<i>TraceIBPC</i> Register (CP0 Register 23, Select 4)	193
7.2.32	<i>TraceDBPC</i> Register (CP0 Register 23, Select 5)	193
7.2.33	Debug Exception Program Counter Register (CP0 Register 24, Select 0)	194
7.2.34	Performance Counter Register (CP0 Register 25, select 0-3)	195
7.2.35	ErrCtl Register (CP0 Register 26, Select 0)	199
7.2.36	CacheErr Register (CP0 Register 27, Select 0)	201
7.2.37	<i>TagLo</i> Register (CP0 Register 28, Select 0,2,4)	203
7.2.38	<i>DataLo</i> Register (CP0 Register 28, Select 1,3)	205
7.2.39	<i>DataHi</i> Register (CP0 Register 29, Select 1)	206
7.2.40	<i>ErrorEPC</i> (CP0 Register 30, Select 0)	207
7.2.41	<i>DeSave</i> Register (CP0 Register 31, Select 0)	208
Chapter 8 Hardware and Software Initialization of the 24KE™ Core		209
8.1	Hardware-Initialized Processor State	209
8.1.1	Coprocessor 0 State	209
8.1.2	TLB Initialization	210
8.1.3	Bus State Machines	210
8.1.4	Static Configuration Inputs	210
8.1.5	Fetch Address	210
8.2	Software Initialized Processor State	210
8.2.1	Register File	210
8.2.2	TLB	210
8.2.3	Caches	210
8.2.4	Coprocessor 0 State	210
Chapter 9 Caches of the 24KE™ Core		213
9.1	Cache Configurations	213
9.2	Instruction Cache	213
9.2.1	Virtual Aliasing	214
9.2.2	Precode bits	214
9.2.3	Parity	215
9.3	Data Cache	215
9.3.1	Parity	216
9.4	Uncached Accelerated Stores	217
9.5	Cache Protocols	217
9.5.1	Cache Organization	218
9.5.2	Cacheability Attributes	218
9.5.3	Replacement Policy	219
9.5.4	Virtual Aliasing	219
9.6	CACHE Instruction	220
9.7	Software Cache Testing	221
9.7.1	I-Cache/D-cache Tag Arrays	221
9.7.2	I-Cache Data Array	221
9.7.3	I-Cache WS Array	222
9.7.4	D-Cache Data Array	222
9.7.5	D-cache WS Array	222

9.8 Memory Coherence Issues	222
Chapter 10 Power Management in the 24KE™ Core	223
10.1 Register-Controlled Power Management	223
10.2 Instruction-Controlled Power Management	224
Chapter 11 EJTAG Debug Support in the 24KE™ Core	225
11.1 Debug Control Register	226
11.2 Hardware Breakpoints	228
11.2.1 Features of Instruction Breakpoint	228
11.2.2 Features of Data Breakpoint	228
11.2.3 Instruction Breakpoint Registers Overview	228
11.2.4 Data Breakpoint Registers Overview	229
11.2.5 Conditions for Matching Breakpoints	229
11.2.6 Debug Exceptions from Breakpoints	231
11.2.7 Breakpoint used as TriggerPoint	233
11.2.8 Instruction Breakpoint Registers	233
11.2.9 Data Breakpoint Registers	239
11.3 Test Access Port (TAP)	247
11.3.1 EJTAG Internal and External Interfaces	247
11.3.2 Test Access Port Operation	248
11.3.3 Test Access Port (TAP) Instructions	251
11.4 EJTAG TAP Registers	254
11.4.1 Instruction Register	254
11.4.2 Data Registers Overview	254
11.4.3 Processor Access Address Register	260
11.4.4 Fastdata Register (TAP Instruction FASTDATA)	261
11.5 TAP Processor Accesses	263
11.5.1 Fetch/Load and Store from/to the EJTAG Probe through dmseg	263
11.6 PC Sampling	264
11.6.1 PC Sampling in Wait State	265
11.7 MIPS Trace	265
11.7.1 Processor Modes	266
11.7.2 Software versus Hardware control	266
11.7.3 Trace information	266
11.7.4 Load/Store address and data trace information	267
11.7.5 Programmable processor trace mode options	268
11.7.6 Programmable trace information options	268
11.7.7 Enable trace to probe/on-chip memory	268
11.7.8 TCB Trigger	268
11.7.9 Cycle by cycle information	269
11.7.10 Trace Message Format	269
11.7.11 Trace Word Format	269
11.8 PDtrace™ Registers (software control)	269
11.9 Trace Control Block (TCB) Registers (hardware control)	270
11.9.1 <i>TCBCONTROLA</i> Register	270
11.9.2 <i>TCBCONTROLB</i> Register	273
11.9.3 <i>TCBDATA</i> Register	277
11.9.4 <i>TCBCONTROLC</i> Register	278
11.9.5 <i>TCBCONFIG</i> Register (Reg 0)	279
11.9.6 <i>TCBTW</i> Register (Reg 4)	280
11.9.7 <i>TCBRDP</i> Register (Reg 5)	280
11.9.8 <i>TCBWRP</i> Register (Reg 6)	281
11.9.9 <i>TCBSTP</i> Register (Reg 7)	281
11.9.10 <i>TCBTRIGx</i> Register (Reg 16-23)	282
11.9.11 Register Reset State	284

11.10 Enabling MIPS Trace	285
11.10.1 Trace Trigger from EJTAG Hardware Instruction/Data Breakpoints	285
11.10.2 Turning On PDtrace™ Trace	285
11.10.3 Turning Off PDtrace™ Trace	287
11.10.4 TCB Trace Enabling	287
11.10.5 Tracing a reset exception	287
11.11 TCB Trigger logic	288
11.11.1 Trigger units overview	288
11.11.2 Trigger Source Unit	288
11.11.3 Trigger Control Units	289
11.11.4 Trigger Action Unit	289
11.11.5 Simultaneous triggers	289
11.12 MIPS Trace cycle-by-cycle behavior	290
11.12.1 Fifo logic in PDtrace and TCB modules	290
11.12.2 Handling of Fifo overflow in the PDtrace module	290
11.12.3 Handling of Fifo overflow in the TCB	291
11.12.4 Adding cycle accurate information to the trace	292
11.13 TCB On-Chip Trace Memory	292
11.13.1 On-Chip Trace Memory size	292
11.13.2 Trace-From Mode	292
11.13.3 Trace-To Mode	292
Chapter 12 Instruction Set Overview	293
12.1 CPU Instruction Formats	293
12.2 Load and Store Instructions	294
12.2.1 Scheduling a Load Delay Slot	294
12.2.2 Defining Access Types	294
12.3 Computational Instructions	296
12.3.1 Cycle Timing for Multiply and Divide Instructions	297
12.4 Jump and Branch Instructions	297
12.4.1 Overview of Jump Instructions	297
12.4.2 Overview of Branch Instructions	297
12.5 Control Instructions	298
12.6 Coprocessor Instructions	298
Chapter 13 24KE™ Processor Core Instructions	299
13.1 Understanding the Instruction Descriptions	299
13.2 24KE™ Opcode Map	299
13.3 Floating Point Unit Instruction Format Encodings	303
13.4 MIPS32™ Instruction Set for the 24KE™ Core	304
Chapter 14 MIPS16e™ Application-Specific Extension to the MIPS32® Instruction Set	341
14.1 Instruction Bit Encoding	341
14.2 Instruction Listing	343
Appendix A Revision History	347

List of Figures

Figure 1-1: 24KE™ Processor Core Block Diagram	5
Figure 1-2: Address Translation During a Cache Access	7
Figure 2-1: 24KE™ Core Pipeline Stages.....	14
Figure 2-2: IFU Block Diagram	16
Figure 2-3: Timing of 32-bit Mode Sequential Fetches	17
Figure 2-4: Timing of 32-bit Mode Branch Taken Path.....	17
Figure 2-5: Fetch Timing of 32-bit Mode Branch Mispredict	18
Figure 2-6: Execution Timing of 32-bit Mode Branch Mispredict	18
Figure 2-7: Timing of an ITLB Miss.....	20
Figure 2-8: Timing of a Cache Miss.....	20
Figure 2-9: LSU Pipeline.....	22
Figure 2-10: DTLB Miss timing.....	23
Figure 2-11: Cache Miss Timing.....	24
Figure 2-12: Multiply Pipeline	28
Figure 2-13: Multiply With Dependency From ALU	29
Figure 2-14: Multiply With Dependency From Load Hit	29
Figure 2-15: Multiply With Dependency From Load Miss.....	29
Figure 2-16: MUL bypassing result to integer instructions.....	30
Figure 2-17: MDU Pipeline Flow During a 8-bit Divide (DIV) Operation	30
Figure 2-18: MDU Pipeline Flow During a 16-bit Divide (DIV) Operation	31
Figure 2-19: MDU Pipeline Flow During a 24-bit Divide (DIV) Operation	31
Figure 2-20: MDU Pipeline Flow During a 32-bit Divide (DIV) Operation	31
Figure 2-21: Load Data Bypass	32
Figure 2-22: ALU Data Bypass	32
Figure 3-1: FPU Block Diagram	40
Figure 3-2: Single-Precision Floating-Point Format (S)	42
Figure 3-3: Double-Precision Floating-Point Format (D)	42
Figure 3-4: Word Fixed-Point Format (W)	44
Figure 3-5: Longword Fixed-Point Format (L)	44
Figure 3-6: Single Floating-Point or Word Fixed-Point Operand in an FPR.....	45
Figure 3-7: Double Floating-Point or Longword Fixed-Point Operand in an FPR.....	45
Figure 3-8: Effect of FPU Operations on the Format of Values Held in FPRs.....	46
Figure 3-9: FPU Word Load and Move-to Operations	47
Figure 3-10: FPU Doubleword Load and Move-to Operations.....	47
Figure 3-11: FIR Format	49
Figure 3-12: FCCR Format	50
Figure 3-13: FEXR Format	51
Figure 3-14: FENR Format	52
Figure 3-15: FCSR Format.....	53
Figure 3-16: FS/FO/FN Bits Influence on Multiply and Addition Results	55
Figure 3-17: Flushing to Nearest when Rounding Mode is Round to Nearest	56
Figure 3-18: FPU Pipeline.....	67
Figure 3-19: Arithmetic Pipeline Bypass Paths.....	68
Figure 4-1: MIPS32® DSP ASE Control Register (DSPControl) Format.....	71
Figure 5-1: Address Translation During a Cache Access with TLB MMU	78
Figure 5-2: Address Translation During a Cache Access with FM MMU.....	78
Figure 5-3: 24KE™ processor core Virtual Memory Map.	80
Figure 5-4: User Mode Virtual Address Space	81
Figure 5-5: Supervisor Mode Virtual Address Space.....	82
Figure 5-6: Kernel Mode Virtual Address Space	84

Figure 5-7: Debug Mode Virtual Address Space	86
Figure 5-8: JTLB Entry (Tag and Data)	88
Figure 5-9: Overview of a Virtual-to-Physical Address Translation	91
Figure 5-10: 32-bit Virtual Address Translation	92
Figure 5-11: TLB Address Translation Flow in the 24KE™ Processor Core.....	94
Figure 5-12: FM Memory Map (ERL=0) in the 24KE™ Processor Core	96
Figure 5-13: FM Memory Map (ERL=1) in the 24KE™ Processor Core	97
Figure 6-1: Interrupt Generation for Vectored Interrupt Mode.....	105
Figure 6-2: Interrupt Generation for External Interrupt Controller Interrupt Mode.....	108
Figure 6-3: General Exception Handler (HW)	128
Figure 6-4: General Exception Servicing Guidelines (SW)	129
Figure 6-5: TLB Miss Exception Handler (HW)	130
Figure 6-6: TLB Exception Servicing Guidelines (SW)	131
Figure 6-7: Reset and NMI Exception Handling and Servicing Guidelines	132
Figure 7-1: <i>Index</i> Register Format	139
Figure 7-2: <i>Random</i> Register Format	140
Figure 7-3: <i>EntryLo0</i> , <i>EntryLo1</i> Register Format	141
Figure 7-4: <i>Context</i> Register Format	143
Figure 7-5: <i>PageMask</i> Register Format	144
Figure 7-6: Wired and Random Entries in the TLB	145
Figure 7-7: <i>Wired</i> Register Format.....	145
Figure 7-8: <i>HWREna</i> Register Format.....	146
Figure 7-9: <i>BadVAddr</i> Register Format	147
Figure 7-10: <i>Count</i> Register Format.....	148
Figure 7-11: <i>EntryHi</i> Register Format	149
Figure 7-12: <i>Compare</i> Register Format	150
Figure 7-13: <i>Status</i> Register Format.....	152
Figure 7-14: <i>IntCtl</i> Register Format	157
Figure 7-15: <i>SRSCtl</i> Register Format	159
Figure 7-16: <i>SRSMap</i> Register Format.....	162
Figure 7-17: <i>Cause</i> Register Format.....	163
Figure 7-18: <i>EPC</i> Register Format.....	167
Figure 7-19: <i>PRId</i> Register Format	168
Figure 7-20: <i>EBase</i> Register Format	169
Figure 7-21: <i>Config</i> Register Format — Select 0.....	170
Figure 7-22: <i>Config1</i> Register Format — Select 1.....	172
Figure 7-23: <i>Config2</i> Register Format — Select 2.....	174
Figure 7-24: <i>Config3</i> Register Format	176
Figure 7-25: <i>Config7</i> Register Format	178
Figure 7-26: <i>WatchLo</i> Register Format.....	180
Figure 7-27: <i>WatchHi</i> Register Format	181
Figure 7-28: <i>Debug</i> Register Format.....	183
Figure 7-29: <i>TraceControl</i> Register Format.....	186
Figure 7-30: <i>TraceControl2</i> Register Format.....	189
Figure 7-31: <i>User Trace Data</i> Register Format	192
Figure 7-32: <i>TraceIBPC</i> Register Format	193
Figure 7-33: <i>TraceDBPC</i> Register Format.....	194
Figure 7-34: <i>DEPC</i> Register Format.....	195
Figure 7-35: Performance Counter Control Register	196
Figure 7-36: Performance Counter Count Register.....	198
Figure 7-37: <i>ErrCtl</i> Register	199
Figure 7-38: <i>CacheErr</i> Register.....	201
Figure 7-39: <i>TagLo</i> Register Format (ErrCtlWST=0, ErrCtlSPR=0)	203
Figure 7-40: <i>TagLo</i> Register Format (ErrCtlWST=1, ErrCtlSPR=0)	203
Figure 7-41: <i>TagLo</i> Register Format (ErrCtlWST=0, ErrCtlSPR=1)	203

Figure 7-42: <i>DataLo</i> Register Format	205
Figure 7-43: <i>DataHi</i> Register Format	206
Figure 7-44: <i>ErrorEPC</i> Register Format.....	207
Figure 7-45: <i>DeSave</i> Register Format	208
Figure 9-1: Instruction Cache Organization	214
Figure 9-2: Data Cache Organization.....	216
Figure 11-1: TAP Controller State Diagram	249
Figure 11-2: Concatenation of the EJTAG Address, Data and Control Registers	253
Figure 11-3: TDI to TDO Path when in Shift-DR State and FASTDATA Instruction is Selected	253
Figure 11-4: Endian Formats for the <i>PAD</i> Register	261
Figure 11-5: TAP Register PCsample Format.....	265
Figure 11-6: MIPS Trace modules in the 24KE™ core	266
Figure 11-7: TCB Trigger processing overview	288
Figure 12-1: Instruction Formats	294
Figure 13-1: Usage of Address Fields to Select Index and Way.....	315

List of Tables

Table 2-1: Recode bandwidth.....	21
Table 2-2: MDU Instruction Delays.....	25
Table 2-3: Multiply Instruction (updating <i>HI/LO</i>) Repeat Rates.....	25
Table 2-4: MUL Repeat Rates.....	26
Table 2-5: DSP Instruction Delays.....	26
Table 2-6: Multiply Repeat Rates.....	28
Table 2-7: Delays for Interesting Sequences with <i>DSPControl</i> dependency.....	28
Table 2-8: Pipeline Interlocks.....	32
Table 2-9: Instruction Interlocks.....	33
Table 2-10: Execution Hazards.....	34
Table 2-11: Instruction Hazards.....	36
Table 2-12: Hazard Instruction Listing.....	36
Table 3-1: Parameters of Floating-Point Data Types.....	41
Table 3-2: Value of Single or Double Floating-Point Data Type Encoding.....	42
Table 3-3: Value Supplied When a New Quiet NaN is Created.....	44
Table 3-4: Coprocessor 1 Register Summary.....	48
Table 3-5: Read/Write Properties.....	48
Table 3-6: FIR Bit Field Descriptions.....	49
Table 3-7: FCCR Bit Field Descriptions.....	50
Table 3-8: FEXR Bit Field Descriptions.....	51
Table 3-9: FENR Bit Field Descriptions.....	52
Table 3-10: FCSR Bit Field Descriptions.....	53
Table 3-11: Cause, Enables, and Flags Definitions.....	54
Table 3-12: Rounding Mode Definitions.....	54
Table 3-13: Zero Flushing for Tiny Results.....	55
Table 3-14: Handling of Denormalized Operand Values and Tiny Results Based on FS Bit Setting.....	55
Table 3-15: Handling of Tiny Intermediate Result Based on the FO and FS Bit Settings.....	56
Table 3-16: Handling of Tiny Final Result Based on FN and FS Bit Settings.....	56
Table 3-17: Recommended FS/FO/FN Settings.....	57
Table 3-18: FPU Data Transfer Instructions.....	59
Table 3-19: FPU Loads and Stores Using Register+Offset Address Mode.....	59
Table 3-20: FPU Move To and From Instructions.....	59
Table 3-21: FPU IEEE Arithmetic Operations.....	60
Table 3-22: FPU-Approximate Arithmetic Operations.....	60
Table 3-23: FPU Multiply-Accumulate Arithmetic Operations.....	60
Table 3-24: FPU Conversion Operations Using the FCSR Rounding Mode.....	61
Table 3-25: FPU Conversion Operations Using a Directed Rounding Mode.....	61
Table 3-26: FPU Formatted Operand Move Instruction.....	62
Table 3-27: FPU Conditional Move on True/False Instructions.....	62
Table 3-28: FPU Conditional Move on Zero/Non-Zero Instructions.....	62
Table 3-29: FPU Conditional Branch Instructions.....	62
Table 3-30: Deprecated FPU Conditional Branch Likely Instructions.....	63
Table 3-31: CPU Conditional Move on FPU True/False Instructions.....	63
Table 3-32: Result for Exceptions Not Trapped.....	64
Table 3-33: 24KEf Core FPU Latency and Repeat Rate.....	68
Table 4-1: MIPS® DSP ASE Control Register (<i>DSPControl</i>) Field Descriptions.....	71
Table 4-2: The Instructions that Set the ouflag bits in <i>DSPControl</i>	73
Table 5-1: User Mode Segments.....	81
Table 5-2: Supervisor Mode Segments.....	83
Table 5-3: Kernel Mode Segments.....	84

Table 5-4: Physical Address and Cache Attributes for dseg, dmseg, and drseg Address Spaces	86
Table 5-5: CPU Access to drseg Address Range	86
Table 5-6: CPU Access to dmseg Address Range.....	87
Table 5-7: TLB Tag Entry Fields	88
Table 5-8: TLB Data Entry Fields.....	89
Table 5-9: Machine Check Exception	93
Table 5-10: TLB Instructions	94
Table 5-11: Cache Coherency Attributes	95
Table 5-12: Cacheability of Segments with Fixed Mapping Translation.....	95
Table 6-1: Priority of Exceptions	100
Table 6-2: Interrupt Modes.....	102
Table 6-3: Relative Interrupt Priority for Vectored Interrupt Mode	105
Table 6-4: Exception Vector Offsets for Vectored Interrupts	109
Table 6-5: Exception Vector Base Addresses	111
Table 6-6: Exception Vector Offsets	112
Table 6-7: Exception Vectors	112
Table 6-8: Value Stored in EPC, ErrorEPC, or DEPC on an Exception.....	113
Table 6-9: Debug Exception Vector Addresses	116
Table 6-10: Register States an Interrupt Exception.....	119
Table 6-11: Register States on a Watch Exception	120
Table 6-12: CP0 Register States on an Address Exception Error	121
Table 6-13: CP0 Register States on a TLB Refill Exception	121
Table 6-14: CP0 Register States on a TLB Invalid Exception	122
Table 6-15: Register States on a Coprocessor Unusable Exception.....	124
Table 6-16: Register States on a Floating Point Exception	125
Table 6-17: Register States on a TLB Modified Exception	127
Table 7-1: CP0 Registers.....	136
Table 7-2: CP0 Register Field Types	138
Table 7-3: Index Register Field Descriptions.....	139
Table 7-4: <i>Random</i> Register Field Descriptions	140
Table 7-5: <i>EntryLo0, EntryLo1</i> Register Field Descriptions.....	141
Table 7-6: Cache Coherency Attributes	141
Table 7-7: <i>Context</i> Register Field Descriptions	143
Table 7-8: <i>PageMask</i> Register Field Descriptions.....	144
Table 7-9: Values for the Mask Field of the <i>PageMask</i> Register	144
Table 7-10: Wired Register Field Descriptions.....	145
Table 7-11: HWREna Register Field Descriptions	146
Table 7-12: <i>BadVAddr</i> Register Field Description	147
Table 7-13: <i>Count</i> Register Field Description.....	148
Table 7-14: <i>EntryHi</i> Register Field Descriptions.....	149
Table 7-15: <i>Compare</i> Register Field Description	150
Table 7-16: Status Register Field Descriptions	152
Table 7-17: IntCtl Register Field Descriptions	157
Table 7-18: SRSCtl Register Field Descriptions.....	159
Table 7-19: Sources for new SRSCtl _{CSS} on an Exception or Interrupt.....	160
Table 7-20: SRSSMap Register Field Descriptions	162
Table 7-21: Cause Register Field Descriptions	163
Table 7-22: Cause Register ExcCode Field.....	166
Table 7-23: <i>EPC</i> Register Field Description.....	167
Table 7-24: <i>PRId</i> Register Field Descriptions.....	168
Table 7-25: EBase Register Field Descriptions.....	169
Table 7-26: <i>Config</i> Register Field Descriptions	170
Table 7-27: Cache Coherency Attributes	171
Table 7-28: <i>Config1</i> Register Field Descriptions — Select 1	172
Table 7-29: <i>Config2</i> Register Field Descriptions — Select 2	174

Table 7-30: Config3 Register Field Descriptions.....	176
Table 7-31: Config7 Register Field Descriptions.....	178
Table 7-32: <i>WatchLo</i> Register Field Descriptions	180
Table 7-33: <i>WatchHi</i> Register Field Descriptions.....	181
Table 7-34: <i>Debug</i> Register Field Descriptions	183
Table 7-35: <i>TraceControl</i> Register Field Descriptions	186
Table 7-36: <i>TraceControl2</i> Register Field Descriptions	189
Table 7-37: UserTraceData Register Field Descriptions.....	192
Table 7-38: <i>TraceIBPC</i> Register Field Descriptions.....	193
Table 7-39: <i>TraceDBPC</i> Register Field Descriptions	194
Table 7-40: BreakPoint Control Modes: IBPC and DBP.....	194
Table 7-41: <i>DEPC</i> Register Formats.....	195
Table 7-42: Performance Counter Register Selects.....	195
Table 7-43: Performance Counter Control Register Field Descriptions	196
Table 7-44: Performance Counter Count Register Field Descriptions.....	196
Table 7-45: Performance Counter Count Register Field Descriptions.....	198
Table 7-46: ErrCtl Register Field Descriptions.....	200
Table 7-47: CacheErr Register Field Descriptions.....	201
Table 7-48: <i>TagLo</i> Register Field Descriptions	203
Table 7-49: <i>DataLo</i> Register Field Description	205
Table 7-50: <i>DataHi</i> Register Field Description	206
Table 7-51: <i>ErrorEPC</i> Register Field Description.....	207
Table 7-52: <i>DeSave</i> Register Field Description	208
Table 9-1: Instruction Cache Attributes	213
Table 9-2: Data Cache Attributes	216
Table 9-3: Potential Virtual Aliasing Bits	220
Table 9-4: Way Selection Encoding, 4 Ways.....	220
Table 11-1: <i>Debug Control Register</i> Field Descriptions.....	226
Table 11-2: Overview of Status Register for Instruction Breakpoints	228
Table 11-3: Overview of Registers for Each Instruction Breakpoint.....	229
Table 11-4: Overview of Status Register for Data Breakpoints.....	229
Table 11-5: Overview of Registers for each Data Breakpoint	229
Table 11-6: Rules for Update of BS Bits on Data Breakpoint Exceptions	232
Table 11-7: Addresses for Instruction Breakpoint Registers	233
Table 11-8: <i>IBS</i> Register Field Descriptions	234
Table 11-9: <i>IBAn</i> Register Field Descriptions.....	235
Table 11-10: <i>IBMn</i> Register Field Descriptions.....	236
Table 11-11: <i>IBASIDn</i> Register Field Descriptions	237
Table 11-12: <i>IBCn</i> Register Field Descriptions	238
Table 11-13: Addresses for Data Breakpoint Registers	239
Table 11-14: <i>DBS</i> Register Field Descriptions	240
Table 11-15: <i>DBAn</i> Register Field Descriptions	241
Table 11-16: <i>DBMn</i> Register Field Descriptions	242
Table 11-17: <i>DBASIDn</i> Register Field Descriptions.....	243
Table 11-18: <i>DBCn</i> Register Field Descriptions	244
Table 11-19: <i>DBVn</i> Register Field Descriptions	246
Table 11-20: <i>DBVHn</i> Register Field Descriptions	246
Table 11-21: EJTAG Interface Pins	247
Table 11-22: Implemented EJTAG Instructions	251
Table 11-23: Device Identification Register	255
Table 11-24: <i>Implementation</i> Register Descriptions	256
Table 11-25: <i>EJTAG Control</i> Register Descriptions.....	257
Table 11-26: Fastdata Register Field Description	262
Table 11-27: Operation of the FASTDATA access	262
Table 11-28: A List of Coprocessor 0 Trace Registers	269

Table 11-29: TCB EJTAG registers	270
Table 11-30: Registers selected by <i>TCBCONTROLB</i> _{REG}	270
Table 11-31: <i>TCBCONTROLA</i> Register Field Descriptions	271
Table 11-32: <i>TCBCONTROLB</i> Register Field Descriptions	273
Table 11-33: Clock Ratio encoding of the CR field	277
Table 11-34: <i>TCBDATA</i> Register Field Descriptions	278
Table 11-35: <i>TCBCONTROLC</i> Register Field Descriptions	278
Table 11-36: <i>TCBCONFIG</i> Register Field Descriptions.....	279
Table 11-37: <i>TCBTW</i> Register Field Descriptions	280
Table 11-38: <i>TCBRDP</i> Register Field Descriptions.....	281
Table 11-39: <i>TCBWRP</i> Register Field Descriptions	281
Table 11-40: <i>TCBSTP</i> Register Field Descriptions.....	282
Table 11-41: <i>TCBTRIGx</i> Register Field Descriptions.....	282
Table 12-1: Byte Access Within a Doubleword.....	296
Table 13-1: Symbols Used in the Instruction Encoding Tables	299
Table 13-2: MIPS32 Encoding of the Opcode Field	300
Table 13-3: MIPS32 SPECIAL Opcode Encoding of Function Field	300
Table 13-4: MIPS32 REGIMM Encoding of rt Field	300
Table 13-5: MIPS32 SPECIAL2 Encoding of Function Field	300
Table 13-6: MIPS32 Special3 Encoding of Function Field for Release 2 of the Architecture	301
Table 13-7: MIPS32 MOVCI Encoding of tf Bit.....	301
Table 13-8: MIPS32 SRL Encoding of Shift/Rotate	301
Table 13-9: MIPS32 SRLV Encoding of Shift/Rotate	301
Table 13-10: MIPS32 BSHFLEncoding of sa Field.....	301
Table 13-11: MIPS32 COP0 Encoding of rs Field.....	301
Table 13-12: MIPS32COP0 Encoding of Function Field When rs=CO	302
Table 13-13: MIPS32 COP1 Encoding of rs Field.....	302
Table 13-14: MIPS32 COP1 Encoding of Function Field When rs=S	302
Table 13-15: MIPS32 COP1 Encoding of Function Field When rs=D.....	302
Table 13-16: MIPS32 COP1 Encoding of Function Field When rs=W or L	303
Table 13-17: MIPS32 COP1 Encoding of tf Bit When rs=S or D, Function=MOVCF.....	303
Table 13-18: MIPS64 COP1X Encoding of Function Field	303
Table 13-19: MIPS32 COP2 Encoding of rs Field.....	303
Table 13-20: Floating Point Unit Instruction Format Encodings.....	304
Table 13-21: 24KE™ Core Instruction Set	304
Table 13-22: Usage of Effective Address	314
Table 13-23: Encoding of Bits[17:16] of CACHE Instruction	315
Table 13-24: Encoding of Bits [20:18] of the CACHE Instruction, ErrCtl[WST,SPR] Cleared.....	316
Table 13-25: Encoding of Bits [20:18] of the CACHE Instruction, ErrCtl[WST] Set, ErrCtl[SPR] Cleared	317
Table 13-26: Encoding of Bits [20:18] of the CACHE Instruction, ErrCtl[SPR] Set, ErrCtl[WST] Cleared	319
Table 13-27: Values of the <i>hint</i> Field for the PREF Instruction	324
Table 14-1: Symbols Used in the Instruction Encoding Tables	341
Table 14-2: MIPS16e Encoding of the Opcode Field	342
Table 14-3: MIPS16e JAL(X) Encoding of the x Field	342
Table 14-4: MIPS16e SHIFT Encoding of the f Field	342
Table 14-5: MIPS16e RRI-A Encoding of the f Field	342
Table 14-6: MIPS16e I8 Encoding of the funct Field	342
Table 14-7: MIPS16e RRR Encoding of the f Field	343
Table 14-8: MIPS16e RR Encoding of the Funct Field	343
Table 14-9: MIPS16e I8 Encoding of the s Field when funct=SVRS.....	343
Table 14-10: MIPS16e RR Encoding of the ry Field when funct=J(AL)R(C)	343
Table 14-11: MIPS16e RR Encoding of the ry Field when funct=CNVT	343
Table 14-12: MIPS16e Load and Store Instructions	343
Table 14-13: MIPS16e Save and Restore Instructions.....	344
Table 14-14: MIPS16e ALU Immediate Instructions	344

Table 14-15: MIPS16e Arithmetic Two or Three Operand Register Instructions	344
Table 14-16: MIPS16e Special Instructions	345
Table 14-17: MIPS16e Multiply and Divide Instructions	345
Table 14-18: MIPS16e Jump and Branch Instructions.....	345
Table 14-19: MIPS16e Shift Instructions.....	346
Table A-1: Revision History	347

Introduction to the MIPS32® 24KE™ Processor Core Family

The 24KE™ core from MIPS Technologies is a high-performance, low-power, 32-bit MIPS®RISC processor core family intended for custom system-on-silicon applications. The core is designed for semiconductor manufacturing companies, ASIC developers, and system OEMs who want to rapidly integrate their own custom logic and peripherals with a high-performance RISC processor. A 24KE core is fully synthesizable to allow maximum flexibility; it is highly portable across processes and can easily be integrated into full system-on-silicon designs. This allows developers to focus their attention on end-user specific characteristics of their product.

The 24KE core is ideally positioned to support new products for emerging segments of the digital consumer, network, systems, and information management markets, enabling new tailored solutions for embedded applications.

The 24KE family has four members: the MIPS32™ 24KEc™ core, the MIPS32™ 24KEc Pro™ core, the MIPS32 24KEf core, and the MIPS32™ 24KEf Pro™ core

- The 24KEc 32-bit RISC core for high performance applications
- The 24KEf core adds an IEEE-754 compliant floating point unit
- The 24KEc Pro core offers the CorExtend capability
- The 24KEf Pro core has both the floating point unit and the CorExtend capability

The term *24KE core* as used in this document, generally refers to all cores in the 24KE family. When referring to characteristics unique to an individual family member, the specific core type will be identified.

On a 24KE core, instruction and data caches are configurable at 0, 8, 16, 32, or 64 KB in size. Each cache is organized as 4-way set associative. The data cache features non-blocking load misses. On a cache miss, the processor can continue executing instructions until a dependent instruction is reached. Both caches are virtually indexed and physically tagged. Virtual indexing allows the cache to be indexed in the same clock in which the address is generated rather than waiting for the virtual-to-physical address translation in the TLB.

The core implements the MIPS32 Release 2 Instruction Set Architecture (ISA) as well as the MIPS16e™ Application Specific Extension (ASE) for code compression. The MMU of the 24KE core may contain a 4-entry instruction TLB (ITLB), an 8-entry data TLB(DTLB), and a 16-64 dual-entry joint TLB (JTLB) with variable page sizes. Optionally, the TLB can be replaced with a simplified fixed mapping translation (FMT) mechanism, for applications that do not require the full capabilities of a TLB.

The distinguishing characteristic of the 24KE family is the inclusion of the MIPS DSP Application Specific Extension. The MIPS DSP ASE provides support for a number of powerful data processing operations. The DSP ASE includes instructions for executing fractional arithmetic (Q15/Q31) and for saturating arithmetic. Additionally, for smaller data sizes, SIMD operations are supported, allowing 2x16b or 4x8b operations to occur simultaneously. Another feature of the ASE is the inclusion of additional HI/LO accumulator registers to improve the parallelization of independent accumulation routines.

The Multiply-Divide Unit (MDU) is fully pipelined and supports a maximum issue rate of one 32x32 multiply (MUL/MULT/MULTU), multiply-add (MADD/MADDU), or multiply-subtract (MSUB/MSUBU) operation per clock.

The basic Enhanced JTAG (EJTAG) features provide CPU run control with stop, single stepping and re-start, and with software breakpoints through the SDBBP instruction. Support for connection to an external EJTAG probe through the Test Access Port (TAP) is also included. Instruction and data virtual address hardware breakpoints can be optionally included.

The bus interface implements the Open Core Protocol (OCP), with 64-bit read and write data buses. The bus interface may operate at the same or a lower clock rate than the core itself.

The rest of this chapter provides an overview of the MIPS32 24KE processor core and consists of the following sections:

- [Section 1.1, "24KE™ Core Features"](#)
- [Section 1.2, "24KE™ Core Block Diagram"](#)

1.1 24KE™ Core Features

- 8-stage pipeline
- 32-bit Address Paths
- 64-bit Data Paths to Caches
- MIPS32-Compatible Instruction Set
 - Multiply-add and multiply-subtract instructions (MADD, MADDU, MSUB, MSUBU)
 - Targeted multiply instruction (MUL)
 - Zero and one detect instructions (CLZ, CLO)
 - Wait instruction (WAIT)
 - Conditional move instructions (MOVZ, MOVN)
 - Prefetch instruction (PREF)
- MIPS32 Enhanced Architecture (Release 2) Features
 - Vectored interrupts and support for an external interrupt controller
 - Programmable exception vector base
 - Atomic interrupt enable/disable
 - GPR shadow sets
 - Bit field manipulation instructions
- MIPS DSP ASE
 - Fractional data types (Q15, Q31)
 - Saturating arithmetic
 - SIMD instructions operate on 2x16b or 4x8b simultaneously
 - 3 additional pairs of accumulator registers
- MIPS16e Application Specific Extension
 - 16 bit encodings of 32-bit instructions to improve code density
 - Special PC-relative instructions for efficient loading of addresses and constants
 - Data type conversion instructions (ZEB, SEB, ZEH, SEH)
 - Compact jumps (JRC, JALRC)
 - Stack frame set-up and tear down “macro” instructions (SAVE and RESTORE)

- Programmable Cache Sizes
 - Individually configurable instruction and data caches
 - Sizes of 0, 8, 16, 32, or 64 KB.
 - 4-Way set associative
 - Up to 4 non-blocking loads
 - Supports Write-back with write-allocation and Write-through without write-allocation
 - 256-bit (32-byte) cache line size, doubleword sectored - suitable for standard 64-bit wide single-port SRAM
 - Virtually indexed, physically tagged
 - Cache line locking support
 - Non-blocking prefetches
- Data and Instruction ScratchPad RAMs
 - addressable up to 1MB
 - 64-bit OCP interfaces for external access
- R4000 Style Privileged Resource Architecture
 - Count/compare registers for real-time timer interrupts
 - Instruction and data watch registers for software breakpoints
- Standard Memory Management Unit
 - 16/32/64 dual-entry MIPS32-style JTLB with variable page sizes
 - 4-entry instruction TLB
 - 8-entry data TLB
- Optional Memory Management Unit
 - Simple Fixed Mapping Translation (FMT)
 - Address spaces mapped using register bits
- OCP Bus Interface Unit (BIU)
 - 32b address and 64b data
 - Core/bus ratios of 1, 1.5, 2, 2.5, 3, 3.5, 4, and 5 are supported
 - Supports bursts of 4x64b
 - 4 entry write buffer - handles eviction data, write-through, uncached, and uncached accelerated store data
 - Simple Byte enable mode allows easier bridging to other bus standards
 - Extensions of front side L2 cache
- CorExtend™ User Defined Instruction capability (24KEc Pro and 24KEf Pro)
 - Optional support for the CorExtend feature allows users to define and add instructions to the core (as a build-time option)
 - Single or multi-cycle instructions
 - Source operations from register, immediate field, or local state
 - Destination to a register or local state
 - Interface to multiply-divide unit, allowing sharing of accumulation registers

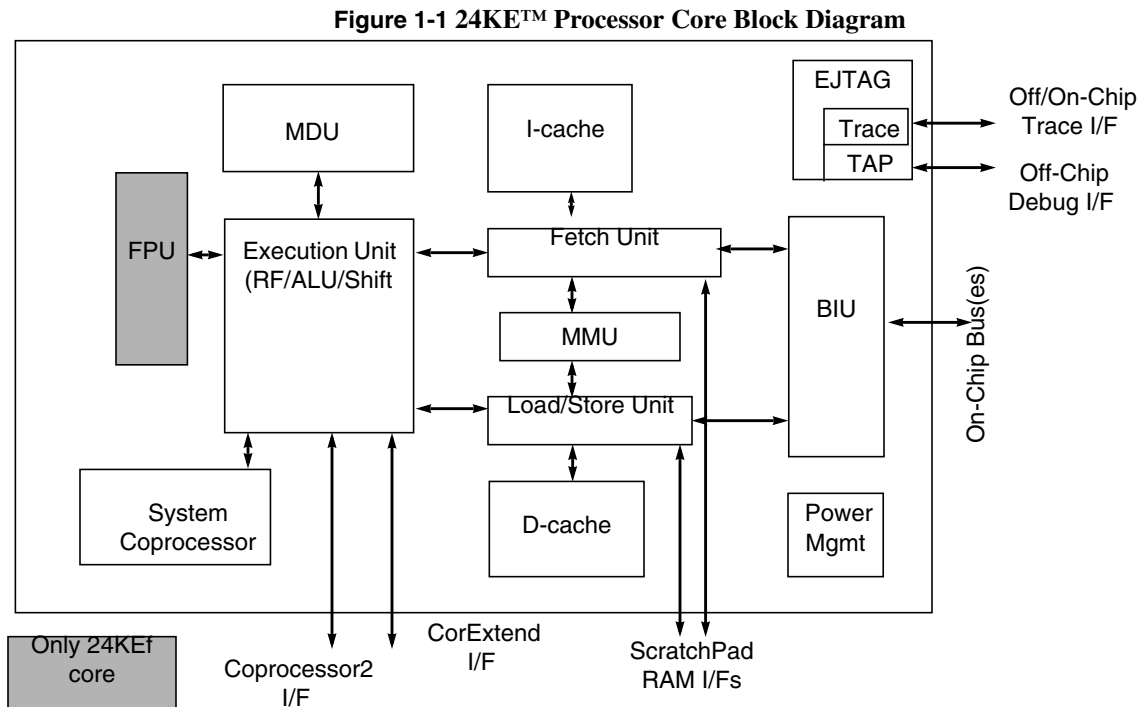
- Multiply-Divide Unit
 - Maximum issue rate of one 32x32 multiply per clock
 - Early-in divide control. Minimum 11, maximum 34 clock latency on divide
- Floating Point Unit (24KEf and 24KEf Pro only)
 - IEEE-754 compliant floating point unit
 - Compliant to MIPS 64b FPU standards
 - Supports single and double precision datatypes
- Coprocessor2 Interface
 - 64-bit interface to user designed coprocessor
- Power Control
 - No minimum frequency
 - Power-down mode (triggered by WAIT instruction)
 - Support for software-controlled clock divider
 - Support for extensive use of fine-grain clock gating
- EJTAG Debug Support
 - CPU control with start, stop and single stepping
 - Software breakpoints via the SDBBP instruction
 - Optional hardware breakpoints on virtual addresses; 0 or 4 instruction and 0 or 2 data breakpoints
 - Test Access Port (TAP) facilitates high speed download of application code
 - Optional MIPS Trace hardware to enable real-time tracing of executed code

1.2 24KE™ Core Block Diagram

The 24KE core contains a number of blocks, as shown in the block diagram in [Figure 1-1 on page 5](#). The major blocks are as follows:

- Execution Unit (ALU)
- Multiply-Divide Unit (MDU)
- System Control Coprocessor (CPO)
- Memory Management Unit (MMU)
- Floating Point Unit (FPU) - only in 24KEf
- Cache Controller
- Bus Interface Unit (BIU)
- Power Management
- MIPS16e support
- Instruction Cache (I-cache)
- Data Cache (D-cache)
- Enhanced JTAG (EJTAG) Controller
- CorExtend™ User Defined Instructions (UDI)

Figure 1-1 shows a block diagram of a 24KE core. The MMU can be implemented using either a translation lookaside buffer or a fixed mapping (FMT). Refer to Chapter 5, “Memory Management of the 24KE™ Core,” on page 77 for more information.



1.2.1 Logic Blocks

The following subsections describe the various logic blocks of the 24KE processor core.

1.2.1.1 Execution Unit

The core execution unit implements a load-store architecture with single-cycle Arithmetic Logic Unit (ALU) operations (logical, shift, add, subtract) and an autonomous multiply-divide unit. The core contains thirty-two 32-bit general-purpose registers (GPRs) used for scalar integer operations and address calculation. Optionally, one or three additional register file shadow sets (each containing thirty-two registers) can be added to minimize context switching overhead during interrupt/exception processing. The register file consists of two read ports and one write port and is fully bypassed to minimize operation latency in the pipeline.

The execution unit includes:

- 32-bit adder used for calculating the data address
- Logic for branch determination and branch target address calculation
- Bypass multiplexers used to avoid stalls when executing instruction streams where data-producing instructions are followed closely by consumers of their results
- Zero/One detect unit for implementing the CLZ and CLO instructions
- ALU for performing bitwise logical operations
- Shifter and Store aligner
- Floating Point Unit Interface

- Coprocessor2 Interface

The execution unit also includes the following DSP ASE operations for various data types:

- two-cycle add, sub, absolute, shift, compare
- two-cycle compare, byte manipulation, precision control

1.2.1.2 Multiply/Divide Unit (MDU)

The Multiply/Divide unit performs multiply and divide operations. The MDU consists of a pipelined 32x32 multiplier, result-accumulation registers (HI and LO), multiply and divide state machines, and all multiplexers and control logic required to perform these functions. This pipelined MDU supports execution of a multiply or multiply-accumulate operation every clock cycle. Unlike previous cores, there is no dependence between operand size and issue rate for multiplies. Divide operations are implemented with a simple 1 bit per clock iterative algorithm and require 35 clock cycles in worst case to complete. Early-in to the algorithm detects sign extension of the dividend, if it is actual size is 24, 16 or 8 bit. the divider will skip 7, 15 or 23 of the 32 iterations. An attempt to issue a subsequent MDU instruction while a divide is still active causes a pipeline stall until the divide operation is completed.

On Pro Series cores, the MDU accumulator is shared with the CorExtend block. Many CorExtend instruction types can make use of the HI/LO accumulation registers.

The MDU also implements various shift instructions operating on the HI/LO register and multiply instructions as defined in the DSP ASE. It supports all the data types required for this purpose and includes three extra HI/LO registers as defined by the ASE. The MDU also allows the CorExtend interface to access these HI/LO registers (Pro™ series cores only).

1.2.1.3 System Control Coprocessor (CP0)

In the MIPS architecture, CP0 is responsible for the virtual-to-physical address translation, cache protocols, the exception control system, the processor's diagnostics capability, operating mode selection (kernel vs. user mode), and the enabling/disabling of interrupts. Configuration information such as cache size, set associativity, and presence of build-time options are available by accessing the CP0 registers. Refer to [Chapter 7, "CP0 Registers of the 24KE™ Core," on page 135](#) for more information on the CP0 registers. Refer to [Chapter 11, "EJTAG Debug Support in the 24KE™ Core," on page 225](#) for more information on EJTAG debug registers.

1.2.1.4 Memory Management Unit (MMU)

The 24KE core contains an MMU that interfaces between the execution unit and the cache controllers, shown in [Figure 1-2 on page 7](#). Although the 24KE core implements a 32-bit architecture, the Memory Management Unit (MMU) is modeled after the MMU found in the 64-bit R4000 family, as defined by the MIPS32 architecture.

By default, the 24KE core implements its MMU based on a Translation Lookaside Buffer (TLB). The TLB consists of three translation buffers: a configurable 16/32/64 dual-entry fully associative Joint TLB (JTLB), a 4-entry fully associative Instruction TLB (ITLB) and a 8-entry fully associative data TLB (DTLB). The ITLB and DTLB, also referred to as the micro TLBs, are managed by the hardware and are not software visible. The micro TLBs contain subsets of the JTLB. When translating addresses, the corresponding micro TLB (I or D) is accessed first. If there is not a matching entry, the JTLB is used to translate the address and refill the micro TLB. If the entry is not found in the JTLB, then an exception is taken.

The core optionally implements a FMT-based MMU instead of a TLB-based MMU. The FMT replaces the ITLB and DTLB and the JTLB is removed. The FMT performs a simple translation to get the physical address from the virtual address. Refer to [Chapter 5, "Memory Management of the 24KE™ Core," on page 77](#) for more information on the FMT.

[Figure 1-2 on page 7](#) shows how the address translation mechanism interacts with cache accesses.

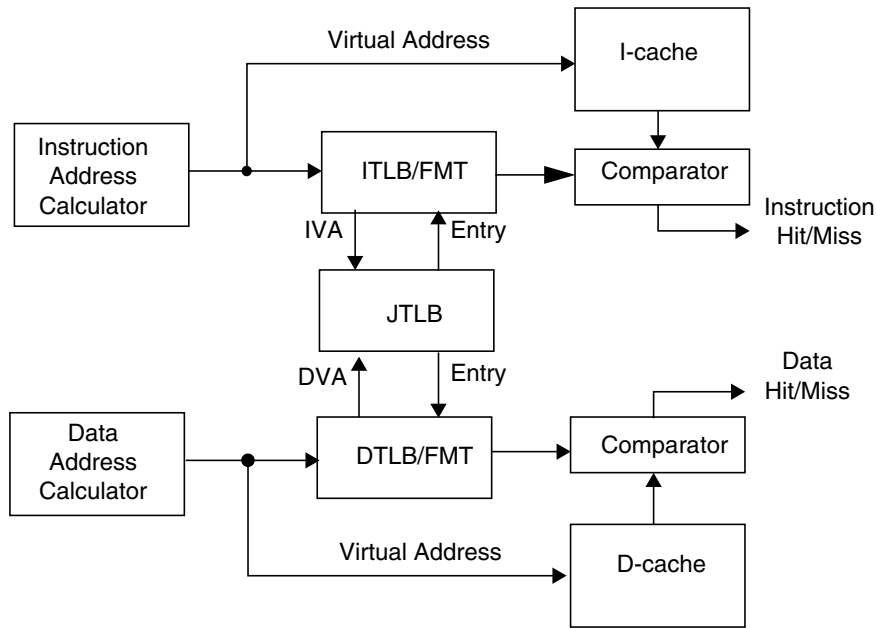


Figure 1-2 Address Translation During a Cache Access

1.2.1.5 Fetch Unit

The fetch unit is responsible for providing instructions to the execution unit. The fetch unit includes:

- control logic for the instruction cache
- MIPS16e instruction recoder
- Dynamic branch prediction
 - 512 entry bimodal branch history table for predicting conditional branches
 - 4 entry return prediction stack for predicting return addresses
- 8 entry instruction buffer to decouple the fetch and execution pipelines
- Interface to Instruction ScratchPad RAM

1.2.1.6 Instruction Cache

The instruction cache is an on-chip memory array of up to 64 KB. The cache is virtually indexed and physically tagged, allowing the virtual-to-physical address translation to occur in parallel with the cache access rather than having to wait for the physical address translation. The tag holds 20 or 21 bits of the physical address, a valid bit, a lock bit, and optionally a parity bit. There is a separate 6b array which holds data for all 4 ways to be used in the Least Recently Used (LRU) replacement scheme. Some precode information is included in the instruction cache data array. An additional 6b per pair of 32b instructions is used to enable quick detection of branches and jumps in the fetch unit. If parity is implemented, a single bit covers the 6b recode and 8b cover the 64b data.

The core supports instruction cache locking. Cache locking allows critical code to be locked into the cache on a “per-line” basis, enabling the system designer to maximize the efficiency of the system cache. Cache locking is always available on all instruction cache entries. Entries can be marked as locked or unlocked (by setting or clearing the lock bit) on a per-entry basis using the CACHE instruction.

The LRU array must be bit-writable. The tag and data arrays only need to be word-writable.

1.2.1.7 Load/Store Unit

The Load/Store Unit is responsible for data loads and stores. It includes:

- Data cache control logic
- 4 line fill/store buffer
- ScratchPad RAM interface

1.2.1.8 Data Cache

The data cache is an on-chip memory array of up to 64 KB. The cache is virtually indexed and physically tagged, allowing the virtual-to-physical address translation to occur in parallel with the cache access. The tag holds 20 or 21 bits of the physical address, a valid bit, a lock bit, and optionally a parity bit. A separate array holds the LRU bits (6b), dirty bits (4b), and optionally, dirty parity bits (4b) for all 4 ways. The data array is optionally parity protected with 1b per 8b of data.

In addition to instruction cache locking, all cores also support a data cache locking mechanism identical to the instruction cache, with critical data segments to be locked into the cache on a “per-line” basis. The locked contents cannot be selected for replacement on a cache miss, but can be updated on a store hit.

Cache locking is always available on all data cache entries. Entries can be marked as locked or unlocked on a per-entry basis using the CACHE instruction.

The physical data cache memory must be byte writable to support sub-word store operations. The LRU/dirty bit array must be bit-writable.

1.2.1.9 Bus Interface Unit (BIU)

The Bus Interface Unit (BIU) controls the external interface signals. Additionally, it contains the implementation of a collapsing write buffer. This buffer is used to merge Write-Through transactions as well as gathering multiple writes together from dirty line evictions and uncached accelerated stores. The write buffer consists of 4 32B entries.

1.2.1.10 Power Management

The core offers a number of power management features, including low-power design, active power management, and power-down modes of operation. The core is a static design that supports a WAIT instruction designed to signal the rest of the device that execution and clocking should be halted, hence reducing system power consumption during idle periods.

The core provides two mechanisms for system-level, low-power support:

- Register-controlled power management
- Instruction-controlled power management

In register-controlled power management mode the core provides three bits in the CP0 Status register for software control of the power management function and allows interrupts to be serviced even when the core is in power-down mode. In instruction-controlled power-down mode execution of the WAIT instruction is used to invoke low-power mode.

Refer to [Chapter 10, “Power Management in the 24KE™ Core,”](#) on page 223 for more information on power management.

1.2.1.11 MIPS16e™ Application Specific Extension

The 24KE core includes support for the MIPS16e ASE. This ASE improves code density through the use of 16-bit encodings of MIPS32 instructions plus some MIPS16e-specific instructions. PC relative loads allow quick access to constants. Save/Restore macro instructions provide for single instruction stack frame setup/teardown for efficient subroutine entry/exit. Sign- and zero-extend instructions improve handling of 8bit and 16bit datatypes.

A decompressor converts the MIPS16e 16-bit instructions fetched from the instruction cache or external interface back into 32-bit instructions for execution by the core.

1.2.1.12 EJTAG Debug

All cores provide basic EJTAG support with debug mode, run control, single step and software breakpoint instruction (SDBBP) as part of the core. These features allow for the basic software debug of user and kernel code. A TAP controller is also included, enabling communication between an EJTAG probe and the CPU through a dedicated port. This provides the possibility for debugging without debug code in the application, and for download of application code to the system.

An optional EJTAG feature is hardware breakpoints. A 24KE core may have four instruction breakpoints and two data breakpoints, or no breakpoints. The hardware instruction breakpoints can be configured to generate a debug exception when an instruction is executed anywhere in the virtual address space. Bit mask and Address Space Identifier (ASID) values may apply in the address compare. These breakpoints are not limited to code in RAM like the software instruction breakpoint (SDBBP). The data breakpoints can be configured to generate a debug exception on a data transaction. The data transaction may be qualified with both virtual address, data value, size and load/store transaction type. Bit mask and ASID values may apply in the address compare, and byte mask may apply in the value compare.

Another optional debug feature is support for MIPS Trace that enables real-time tracing capability. The trace information can be stored to either an on-chip trace memory or an off-chip trace probe. The trace of program flow is highly flexible and can include the instruction program counter as well as data addresses and data values. The trace features can provide a powerful software debugging mechanism.

Refer to [Chapter 11, “EJTAG Debug Support in the 24KE™ Core,”](#) on page 225 for more information on the EJTAG features.

1.2.1.13 CorExtend™ User Defined Instructions

This optional module contains support for CorExtend user defined instructions. These instructions must be defined at build-time for the 24KE core. The CorExtend feature is a capability of the 24KEc Pro and 24KEf Pro cores. This feature makes 16 instructions in the opcode map available for customer usage, and each instruction can have single or multi-cycle latency. A CorExtend instruction can operate on any one or two general-purpose registers or immediate data contained within the instruction, and can write the result of each instruction back to a general purpose register or a local register. Implementation details for CorExtend can be found in the *24KE™ Pro Series™ CorExtend™ Implementor's Guide* (MD00348)

Refer to [Section 13-5, "MIPS32 SPECIAL2 Encoding of Function Field"](#) for a specification of the opcode map available for user defined instructions.

Pipeline of the 24KE™ Core

The 24KE™ processor core implements a 8-stage pipeline. The pipeline allows the processor to achieve high frequency while minimizing device complexity, reducing both cost and power consumption. This chapter contains the following sections:

- [Section 2.1, "Pipeline Stages"](#)
- [Section 2.2, "Instruction Fetch"](#)
- [Section 2.3, "Load Store Unit"](#)
- [Section 2.4, "MDU Pipeline"](#)
- [Section 2.5, "Skewed ALU"](#)
- [Section 2.6, "Interlock Handling"](#)
- [Section 2.7, "Instruction Interlocks"](#)
- [Section 2.8, "Hazards"](#)

2.1 Pipeline Stages

The pipeline consists of eight stages:

- IF - Instruction fetch First
- IS - Instruction fetch Second
- RF - Register File
- AG - Address Generation
- EX - EXecute
- MS - Memory Second
- ER - Exception Resolution
- WB - WriteBack

Three additional stages are conditionally added to the fetch pipeline when executing MIPS16e code. The stages IR, IK and IT are added after the IS stage. It is generally bypassed while executing 32-bit code.

A 24KE core implements a bypass mechanism that allows the result of an operation to be sent directly to the instruction that needs it without having to write the result to the register and then read it back.

[Figure 2-1 on page 14](#) shows the basic pipeline organization. The various parts of the pipeline are described in more detail in this chapter.

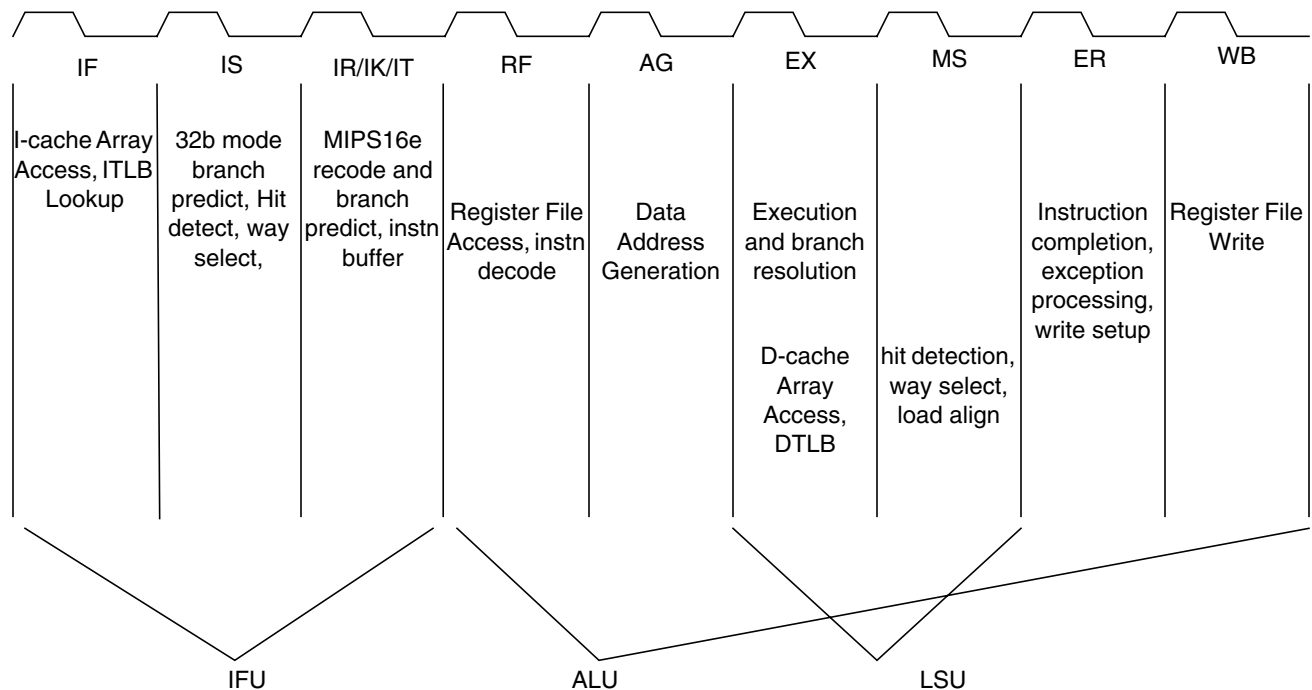


Figure 2-1 24KE™ Core Pipeline Stages

2.1.1 IF Stage: Instruction Fetch First

- I-cache tag/data arrays accessed
- Branch History Table accessed
- ITLB address translation performed
- EJTAG break/watch compares done

2.1.2 IS - Instruction Fetch Second

- Detect I-cache hit
- Way select
- MIPS32 Branch prediction

2.1.3 IR - Instruction Recode

- MIPS16 recode
- MIPS16 branch prediction
- Stage is bypassed when executing MIPS32 code

2.1.4 IK - Instruction Kill

- Kill MIPS16 instructions (due to branches as an example)
- Stage is bypassed when executing MIPS32 code

2.1.5 IT - Instruction Fetch Third

- Stage is bypassed when executing MIPS32 code and the instruction buffer is empty
- Instruction Buffer
- Branch target calculation

2.1.6 RF - Register File Access

- Register File access
- Instruction decoding/dispatch logic
- Bypass muxes

2.1.7 AG - Address Generation

- D-cache Address Generation
- bypass muxes

2.1.8 EX - Execute/Memory Access

- skewed ALU
- DTLB
- Start DCache access
- Branch Resolution

2.1.9 MS - Memory Access Second

- Complete DCache access
- DCache hit detection
- Way select mux
- Load align

2.1.10 ER- Exception Resolution

- Instruction completion
- Register file write setup
- Exception processing

2.1.11 WB - Writeback

- Register file writeback occurs on rising edge of this cycle

2.2 Instruction Fetch

The IFU is responsible for supplying instructions to the execution units and handling the results of all control transfer instructions (branches, jumps, etc.). The IFU operation encompasses three pipe stages: IF (Instruction fetch First), IS

(Instruction fetch Second), and IT (Instruction fetch Third). The instruction cache tags and data are accessed in IF, and the hit determination and the first part of the 32-bit mode target calculation is done in IS. The IT stage handles MIPS16e recoding. The remainder of the 32-bit mode target calculation as well as instruction buffering to the ALU is done in the IT stage, but can be bypassed during 32-bit mode if the instruction buffer is empty. This instruction buffering decouples the IFU from the rest of the pipeline, allowing fetches to proceed even if the processor execution is stalled for some reason. The fetch pipeline and cache bandwidth is 64 bits, supplying up to two instructions per cycle in MIPS32 mode, which allows the IFU to get ahead of the ALU and shields the execution pipeline from some IFU miss penalties.

Figure 2-2 shows the general datapath of the IFU along with major structures.

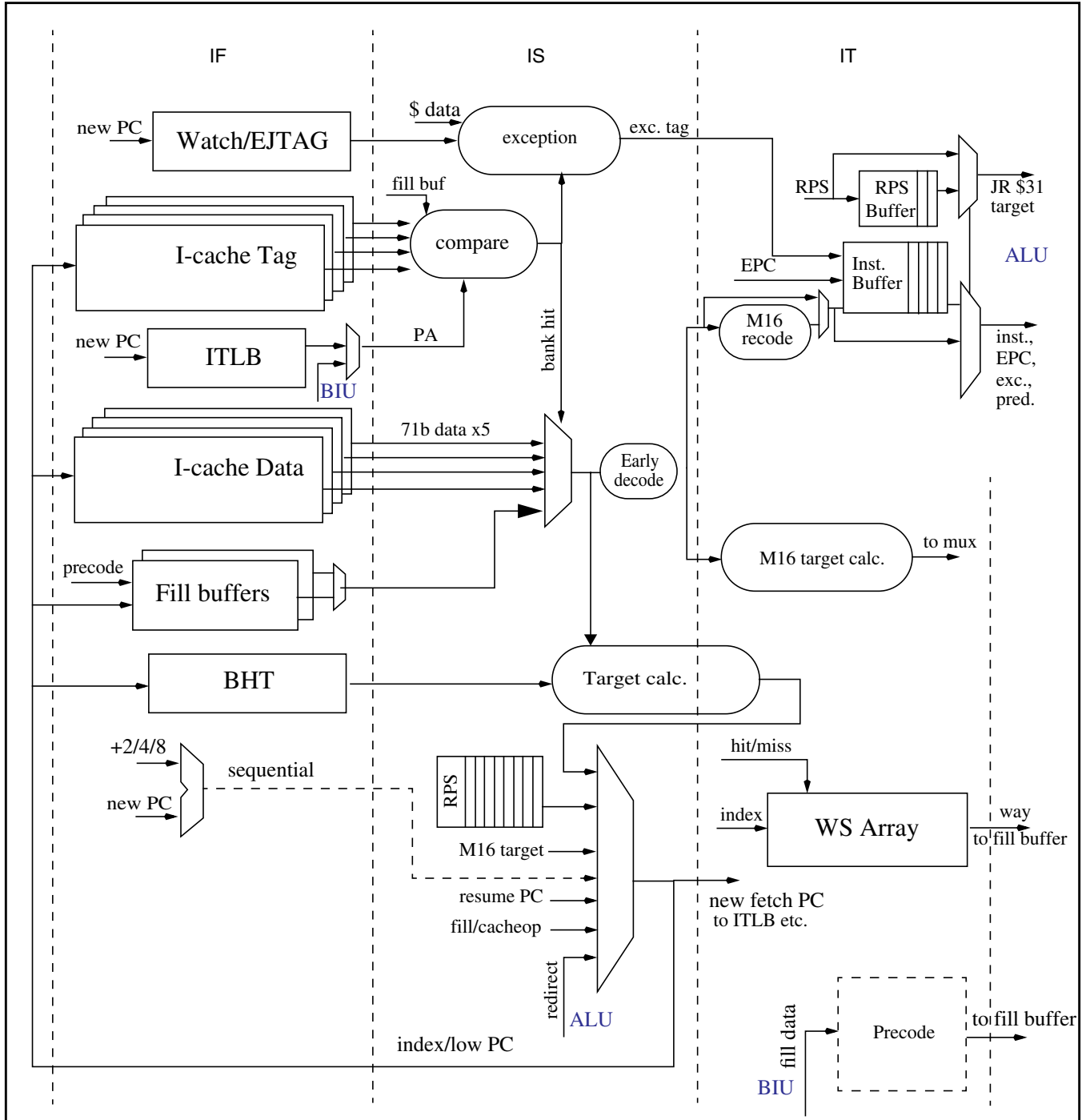


Figure 2-2 IFU Block Diagram

The following diagrams illustrate the timing of various IFU operations. The simplest of these is the sequential fetch path, in which the next fetch PC is incremented by 8 bytes in parallel with the cache lookup. If each fetch hits in the cache, the IFU can provide two instructions per cycle and will quickly fill up the instruction buffer, after which it will stall based on a buffer full signal.

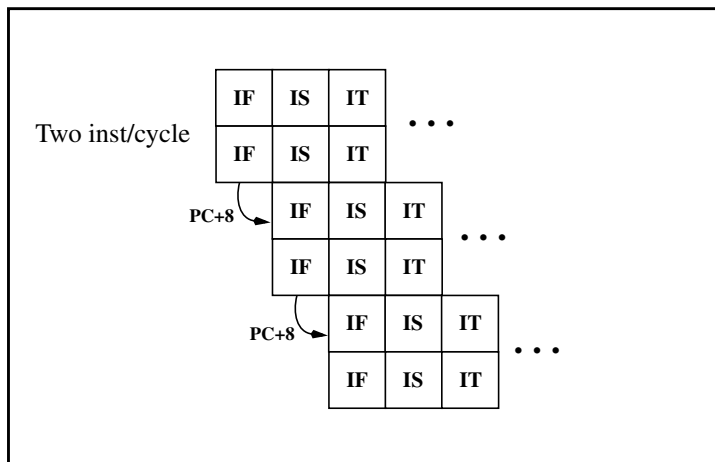


Figure 2-3 Timing of 32-bit Mode Sequential Fetches

Another common situation is a control transfer instruction (branch/jump). The calculation of the target for 32-bit mode instructions starts in the IS stage, but does not complete until the IT stage. For a predicted taken path this means that if the delay slot of that branch is in the same fetch bundle, there will be a 2 cycle bubble since the sequential fetches will not be used. If the delay slot is in the next fetch bundle, there will be a 1 cycle bubble.

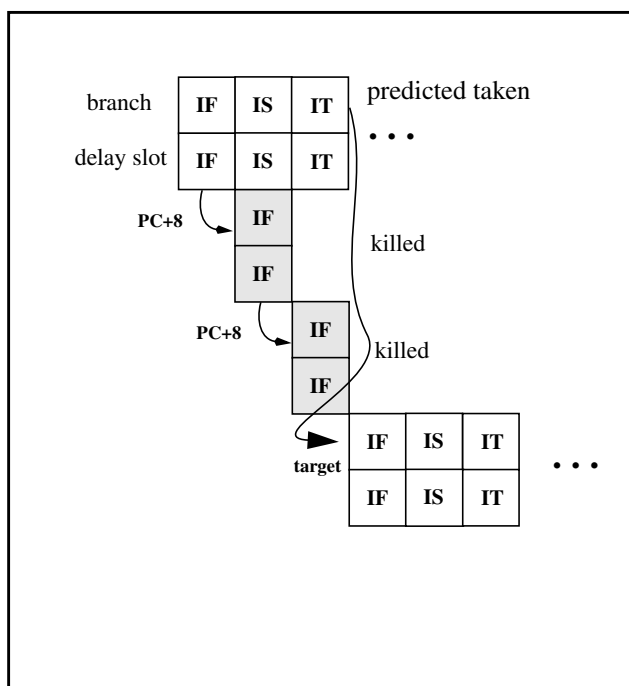


Figure 2-4 Timing of 32-bit Mode Branch Taken Path

For conditional branches, the control transfer is most likely speculative, based upon the branch history table. The resolution of this branch by the ALU will be calculated in the EX stage and will be used by the IFU in the MS stage, resulting in a several-cycle fetch bubble. The following figure illustrates one possibility assuming the instruction buffer is empty and the delay slot is in the same fetch bundle.

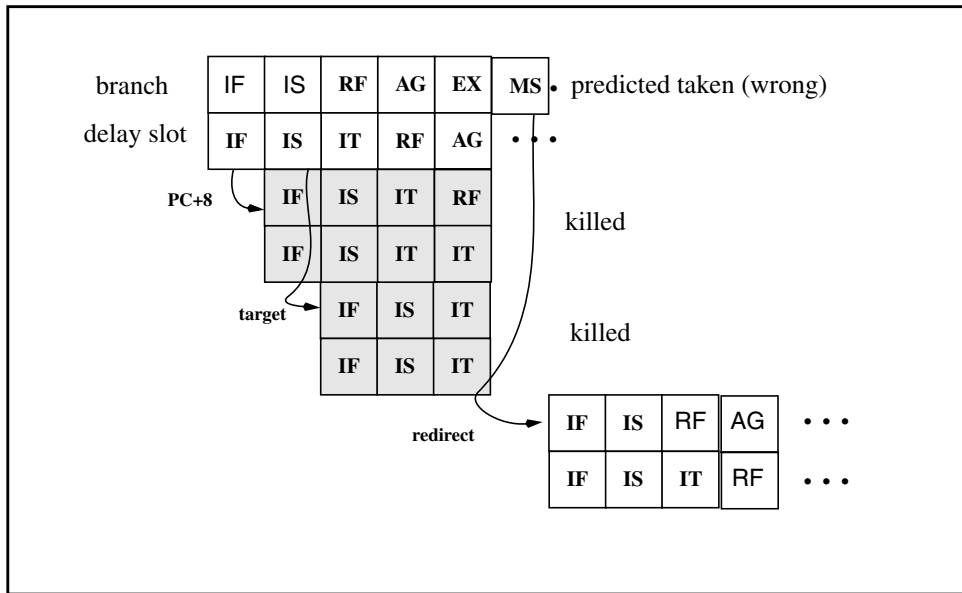


Figure 2-5 Fetch Timing of 32-bit Mode Branch Mispredict

The delay slot and the IT stage bypass lessen the impact of a mispredict on the execution pipeline, though. Assuming no stalls, the ALU sees a four-cycle bubble:

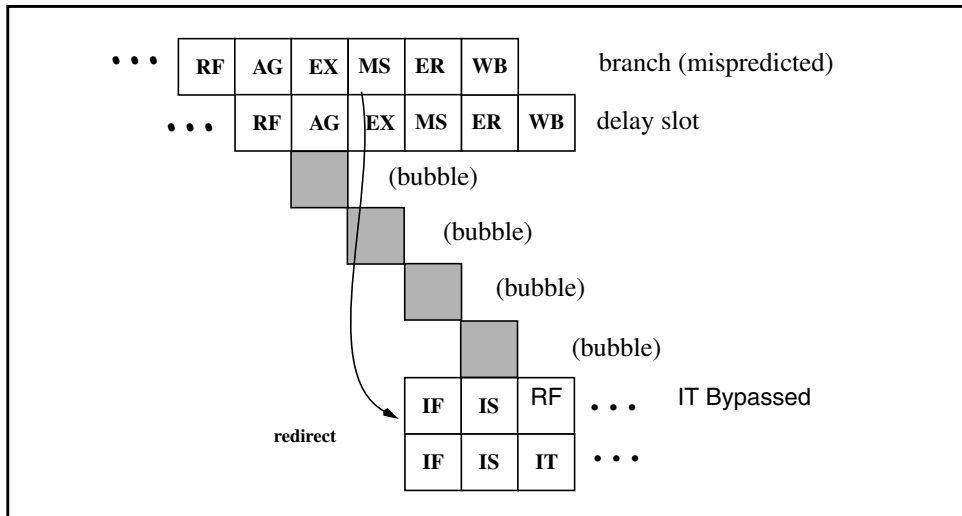


Figure 2-6 Execution Timing of 32-bit Mode Branch Mispredict

2.2.1 Branch History Table

A branch history table (BHT) will be accessed in parallel with the cache in the IF stage. This table is a 512-entry bimodal predictor. The table is indexed with bits 11:3 of the VA and each entry contains a two bit saturating counter that indicates whether a branch is taken or not. The indexing is down to bit 3 because in 32b code there can only be one branch every 64b because of the branch delay slot. In MIPS16e code, the smaller instructions and lack of delay slots means that up to 4 branches can exist within a 64b fetch bundle and will share the same BHT entry. However, in typical code, the branch density is lower than in 32b code and keeping the same 64b indexing maintains reasonable prediction accuracy.

Unlike some previous MIPS processor, the 24KE core uses the BHT to predict branch likely instructions. Architecturally, these are specified to only be used when a branch is taken > 95% of the time. However, the default settings of many compilers use these even when that is not the case. The delay slot characteristics (the delay slot is only

executed if the branch is taken) allow a useful instruction to be placed in the delay slot instead of a NOP. When used in this fashion, dynamic prediction is much more accurate than statically predicting a branch likely as taken.

Unconditional branches (BEQ r0, r0 and BGEZAL r0) are detected by the precode logic and will be statically predicted taken, bypassing the BHT.

The ALU verifies the correctness of the prediction when the branch reaches the EX stage. In the case of a mispredict, the instructions on the mispredicted path will be killed and the fetch will be redirected to the correct instruction. This will cause a 4 cycle bubble in the pipeline.

2.2.1.1 Branch Target Calculation

Branch target calculation is done in the IT stage. This alleviates a critical timing path in the IFU and removes the need for replicating the branch target logic on all 4 ways of the cache. In the case of a taken branch, the following two fetches will be killed (only one if the delay slot is in the following fetch). This added cycle is generally covered by the instruction buffer. A string of taken branches will slowly drain the instruction buffer as only two instructions are fetched every three cycles.

2.2.2 Return Prediction Stack

The return prediction stack (RPS) is a simple stack to hold return addresses. Every time a JAL, JALR ra, or BGEZAL is seen, the link address is pushed onto the stack. When a JR ra is executed, a link address is popped off of the stack. If calling convention is maintained and the stack doesn't overflow, this will have very high prediction accuracy. The RPS contains 4 entries.

The ALU will verify the correctness of the prediction in the EX stage. If the prediction was wrong, the fetch will be redirected in the MS stage and there will be a 4 cycle bubble from the misprediction.

JR that don't use ra are not predicted. The IFU will stall until the ALU reads the register file. The timing on this will be the same as for a return mispredict.

2.2.3 ITLB

The IFU relies on a small subset of TLB entries stored locally in a four-entry ITLB to translate the PC into a physical address for tag comparison. The ITLB stores mappings for 4KB or 1MB pages or subpages (i.e. if the JTLB page is 64KB, only the 4KB subpage containing the desired virtual address will be mapped into the ITLB). The ITLB access occurs in parallel with the primary cache lookup. If there is a miss in the ITLB, the BIU must look up the entry in the main JTLB.

A miss in the ITLB will be detected in the IF stage, and the IFU will stall in the IS stage. The virtual address and the miss indication will be sent to the BIU during IF, allowing the JTLB to start a lookup in the next cycle. The latency of the JTLB lookup can be impacted by several factors. The JTLB can be busy processing a DTLB miss or a TLB operation, delaying the start of the JTLB lookup. Also, the JTLB access time depends on how it is implemented. An SRAM-based PFN array will take an extra cycle over a flop-based version, yielding a 3 cycle latency instead of 2. Once the JTLB data is returned, the IFU will resume directly in the IS stage.

The cacheability attributes can be reduced to one bit (uncached/cached). An ITLB entry will also record the associated JTLB entry, so that for a JTLB write, the ITLB can invalidate its copy if present. The ITLB uses a true LRU replacement algorithm.

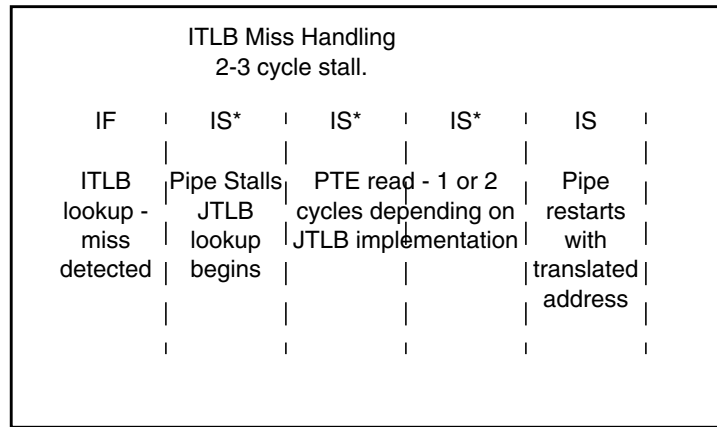


Figure 2-7 Timing of an ITLB Miss

2.2.4 Cache Miss Timing

A miss in the instruction cache will be detected in the IS stage. The IFU will allocate one of the entries in the fill buffer and send the translated physical address and the miss indication to the BIU during the next cycle. The IFU will then enter an idle state and, assuming no redirect event, will replay the IF stage once the data returns from the BIU. Prior to writing into the cache, the IFU precodes the instructions with some additional information about branches/jumps that help speed up fetch unit processing of those instructions. Precoding the instructions and the write into the fill buffer will happen in the cycle the BIU returns the data, and in the following IF stage the data can be bypassed from the fill buffer. Thus, the IFU portion of the cache miss penalty is normally 4 cycles. The total miss penalty could range from a minimum of 10-12 cycles for an L2 hit to 50 or more for an access to main memory.

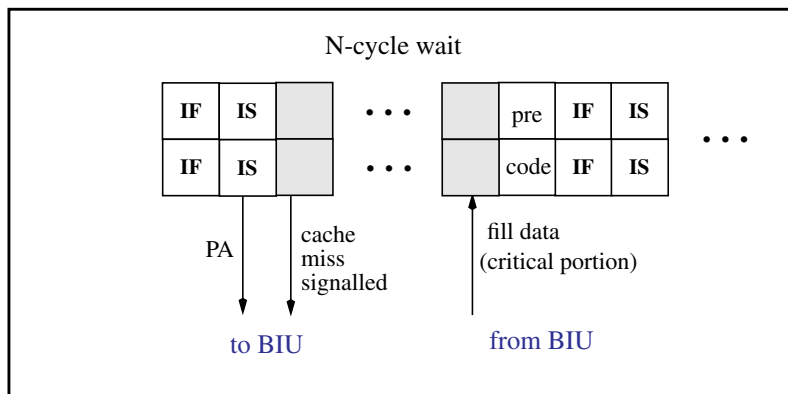


Figure 2-8 Timing of a Cache Miss

2.2.5 MIPS16e™

The IFU is responsible for recoding MIPS16e instructions. Before the MIPS16e instruction is sent to the ALU, it is recoded into a 32b instruction. Some additional state is used for the MIPS16e instructions that do not have a direct counterpart in the MIPS32 instruction set (such as PC-relative loads and adds). This recoding step is handled in an additional pipeline stage that is only active when executing MIPS16e code.

Each cycle, the recode logic processes 32b of the instruction stream and puts 1-2 instructions in the fetch buffer. Most instructions can be generated two at a time, but there are two exceptions. JAL(X) instructions are 32b. When the JAL(X) is in the 32b fetch window, it will be recoded in one cycle. If the JAL(X) starts in the middle of a fetch window, the first instruction will be recoded in the first cycle and the fetch window will be shifted so the JAL(X) can be recoded in the

second cycle. EXTENDs are handled the same way - the EXTEND and the instruction it is extending are only recoded when they are in the fetch window together.

Table 2-1 Recode bandwidth

First 16b	Second 16b	32b Instns generated
16b instn	16b instn	2
Extend	16 instn	1
16b instn	Extend/JAL(X)	1
JAL(X)		1

2.3 Load Store Unit

The Load Store Unit (LSU) is responsible for loads and stores. This primarily includes the data cache control logic.

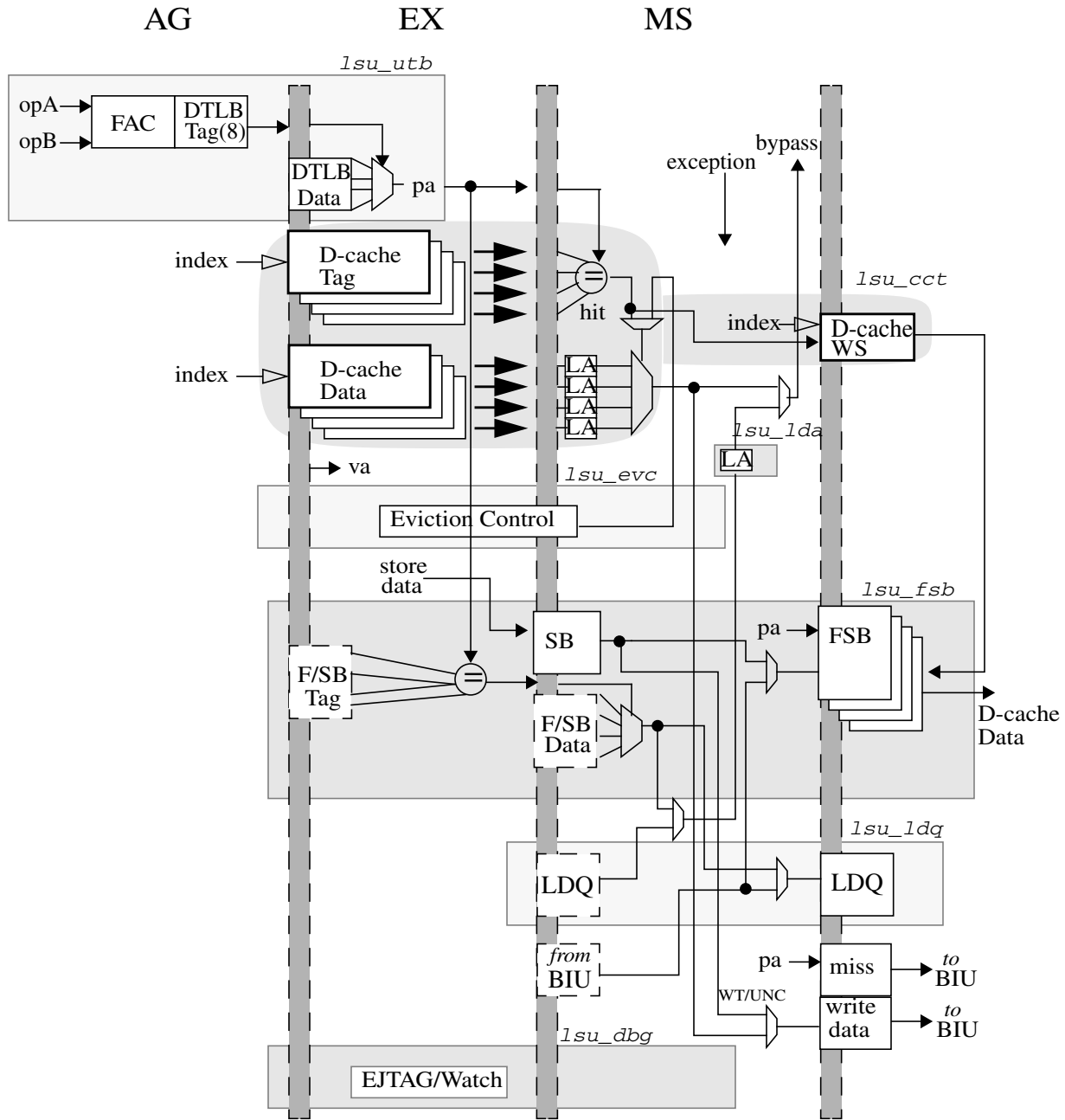


Figure 2-9 LSU Pipeline

2.3.1 DTLB

The data cache access begins in the AG stage. The ALU generates the virtual address in this stage. In parallel, the source operands are passed to the LSU and the 8 entry DTLB is accessed. If there is a miss in the DTLB, the LSU will stall and give the address to the BIU to lookup in the JTLB. If there is a hit in the JTLB, the page information will be returned to the LSU and the access will continue.

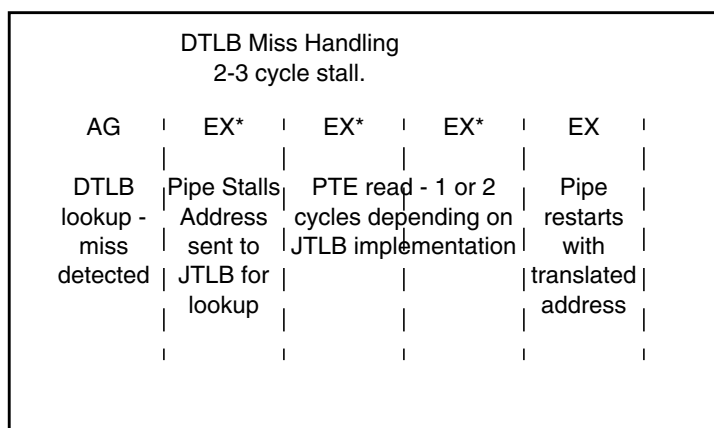


Figure 2-10 DTLB Miss timing

The DTLB will only store mappings either for 4K or 1M pages or subpages of a larger JTLB entry. A DTLB entry will also record the associated JTLB entry, so that for a JTLB write, the DTLB can invalidate its copy if present. The DTLB uses a pseudo-LRU replacement algorithm. If the Fixed Mapping MMU is used instead of a TLB, the address translation will be done in the EX stage and there will never be a DTLB miss.

2.3.2 Data Cache Access

The data cache access is done during the EX stage. The tag and data arrays are accessed and the values are saved in flops for use in the MS stage. In parallel with the array lookup (in EX), the physical address is used to do an early tag compare on entries in the Fill Store Buffer (FSB) and Store Buffer (SB).

The SB is a single entry buffer that is used to stage store data into the other structures. It is fully bypass-able, allowing a load immediately after a store to the same address to execute without stalls. From the SB, the store data will move into the FSB if the store hits in the cache or it is an allocating miss. The store data is then written into the cache opportunistically.

During the MS stage, the data cache tags are compared to the physical address to determine whether a reference hit in the cache or not. If there is a hit, the way select (WS) array will be written to mark the most recently used way, and load data will be bypassed back to the ALU. On a cache miss, an FSB entry is allocated to hold the fill data as it returns from the BIU. The WS array is read and the replacement way is determined. If the line selected for replacement is dirty, an eviction will begin and the dirty data will be written back to memory. A load miss will also allocate an entry in the Load Queue (LDQ). This buffer is used to hold the aligned load data while it is being staged back into the ALU.

The core portion of a load miss is shown in [Figure 2-11](#). It takes one cycle to get from the LSU through the BIU and out onto the OCP bus. It takes at least 1 cycle for the data to be returned. Then 2 more cycles are required to get the data back to the ALU.

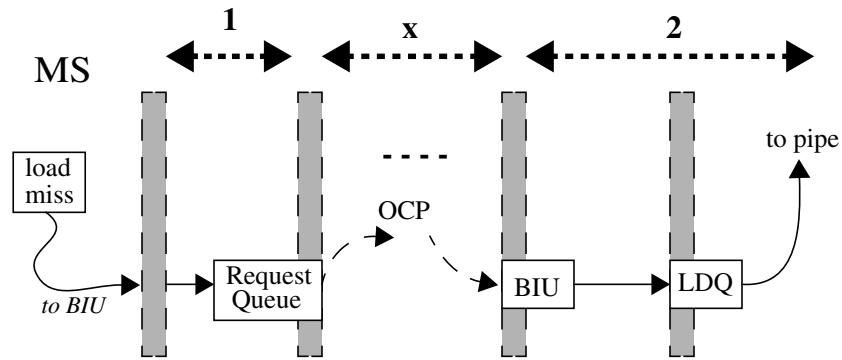


Figure 2-11 Cache Miss Timing

2.3.3 Outstanding misses

The 24KE core features non-blocking D-cache misses. In the cases where the following instructions are not dependent on the load data, the core can continue executing instructions while the miss is being processed. The core can handle multiple outstanding misses.

- Up to 4 independent cache lines - this includes lines requested for loads, stores, and prefetches. Multiple requests to the same line can be merged.
- Up to 4 load misses - Up to 4 separate loads can be outstanding. The loads can be to different cache lines or multiple loads can be to the same cache line.

2.3.4 Uncached Accesses

Uncached accesses are handled pretty similarly to cached ones. The cacheability of the reference is not known until the address translation is completed in the EX stage, so the cache access is performed anyway. On an uncached reference, a miss will be forced. Uncached loads will request the exact amount of data required and allocate an FSB and LDQ entry. Uncached loads are non-blocking just like cached misses. Uncached stores will be sent to the BIU.

To the LSU, uncached accelerated stores look the same as uncached stores. They are handled differently in the BIU though. The BIU will attempt to gather uncached accelerated stores and do a bursted write to improve bus efficiency.

2.4 MDU Pipeline

The autonomous multiply/divide unit (MDU) has a separate pipeline for multiply and divide operations. This pipeline operates in parallel with the integer unit (ALU) pipeline and does not stall when the ALU pipeline stalls. This allows multi-cycle MDU operations, such as a divide, to be partially masked by system stalls and/or other integer unit instructions.

The MDU consists of a 32x32 booth recoded multiplier array, separate carry-lookahead adders for multiply and divide, result/accumulation registers (*HI* and *LO*), multiply and divide state machines, and all necessary multiplexers and control logic.

The MDU supports execution of a multiply operation every clock cycle. Divide operations are implemented with a simple 1 bit per clock iterative algorithm with an early in detection of sign extension on the dividend (*rs*). An attempt to issue a subsequent MDU instruction which would access the *HI* or *LO* register before the divide completes causes a delay in starting the subsequent MDU instruction. Some concurrency is enabled by the separate adders for the multiply and divide data paths. The MDU instruction may start executing once the divide is ensured of writing to the *HI* and *LO*

registers before the MDU instruction will access them. A MUL instruction, which does not access the *HI* or *LO* register, may start executing anytime relative to a previous divide instruction.

Table 2-2 lists the delays (number of cycles until a result is available) for multiply and divide instructions. The delays are listed in terms of pipeline clocks. In this table ‘delay’ refers to the number of cycles the CPU must stall the second instruction to wait for the result of the first instruction.

Table 2-2 MDU Instruction Delays

Size of Operand 1st Instruction ^[1]	Instruction Sequence		Delay Clocks
	1st Instruction	2nd Instruction	
32 bit	MULT/MULTU, MADD/MADDU, or MSUB/MSUBU	MADD/MADDU, MSUB/MSUBU, or MFHI/MFLO	0
32 bit	MUL	Integer operation ^[1]	4
8 bit	DIVU	MFHI/MFLO	7
16 bit	DIVU	MFHI/MFLO	15
24 bit	DIVU	MFHI/MFLO	23
32 bit	DIVU	MFHI/MFLO	31
8 bit	DIV	MFHI/MFLO	9 ^[2]
16 bit	DIV	MFHI/MFLO	17 ^[2]
24 bit	DIV	MFHI/MFLO	25 ^[2]
32 bit	DIV	MFHI/MFLO	33 ^[2]
any	MFHI/MFLO	Integer operation ^[1]	4
any	MTHI/MTLO	MADD/MADDU, MSUB/MSUBU	1
any	MTHI/MTLO	MFHI/MFLO	0

Note: [1] Integer Operation refers to any integer instruction that uses the result of a previous MDU operation.
Note: [2] If both operands are positive, then the two Sign Adjust stages are bypassed. Delay is then the same as for DIVU.

In Table 2-2 a delay of zero means that the first and second instructions can be issued back to back in the code without the MDU causing any stalls in the ALU pipeline. A delay of one means that if issued back to back, the ALU pipeline will be stalled for one cycle.

Table 2-3 Multiply Instruction (updating *HI/LO*) Repeat Rates

Instruction Sequence		Repeat Rate
1st Instruction	2nd Instruction	
MULT/MULTU, MADD/MADDU, MSUB/MSUBU	MADD/MADDU, MSUB/MSUBU	1

The repeat rate of 1 for MULT/MULTU/MADD/MADDU/MSUB/MSUBU to MADD/MADDU/MSUB/MSUBU are achieved by feeding the result of the M3_{MDU} stage for the first instruction back into the M3_{MDU} stage for the second instruction.

Table 2-4 MUL Repeat Rates

Instruction Sequence		Repeat Rate
1st Instruction	2nd Instruction	
MUL	MUL (no data dependency)	1-3 ^[1,2]
Note: [1] There is no data dependency between first and second MUL. Otherwise, the repeat rate is the same as for MUL to integer operations in Table 2-2 Note: [2] MULs can be issued at the maximum rate of 3 every 5 cycles. Three can be issued back to back, but a fourth one would stall.		

2.4.1 DSP ASE Instruction Latencies

Support for DSP ASE instructions is primarily located in the ALU and MDU blocks. Any DSP instructions accessing the accumulators or performing multiplication are implemented in the MDU. All others are implemented in the ALU. In addition to the “normal” MIPS32 HI/LO accumulator pairs, the DSP ASE introduces three additional HI/LO accumulator pairs.

The latency and repeat rate for the BPOSGE32 instruction is similar to those for a MIPS32 conditional branch instruction. However, unlike a MIPS32 conditional branch instruction, BPOSGE32 is dependent on *DSPControl.Pos* and not a GPR. The LHX and LWX instructions are treated as nonblocking loads by the core; They have dependencies on the index and base registers. The delay and repeat rates for other DSP instructions are shown in the following tables. The ‘delay’ in Table 2-5 is in terms of pipeline clocks and refers to the number of cycles the CPU must stall the second instruction to wait for the result of the first instruction. A delay of zero means that the first and second instructions can be issued back to back without stalling the pipeline. A delay of one means that if issued back to back, the pipeline will stall for one cycle.

Table 2-5 DSP Instruction Delays

Dependency on ¹	Instruction Sequence		Delay Clocks
	1st Instruction	2nd Instruction	
GPR	MUL*, EXT*, MFHI, MFLO (multiplies or HI/LO reads that write to a GPR)	Instruction with GPR input	4
GPR	Other (ALU) DSP instruction with GPR result	Instruction with GPR input	1
HI/LO	DPAQ*, DPSQ*, MULSAQ*, MAQ*, MADD*, MSUB*, MULT*, MTHI, MTLO, MTTR, SHILO*, MTHLIP (HI/LO writes)	MFHI, MFLO, MFTR (HI/LO reads)	0
HI/LO	*_SA (MAC's that saturates after accumulate)	DPAQ*, DPSQ*, MULSAQ*, MAQ*, MADD*, MSUB* (MAC's)	1

Table 2-5 DSP Instruction Delays (Continued)

Dependency on ¹	Instruction Sequence		Delay Clocks
	1st Instruction	2nd Instruction	
HI/LO	DPAQ_S*, DPSQ_S*, MULSAQ*, MAQ_S*, MADD*, MSUB* (MAC's that do not saturate after accumulate)	DPAQ*, DPSQ*, MULSAQ*, MAQ*, MADD*, MSUB* (MAC's)	0
HI/LO	MTHI, MTLO, MTTR, SHILO*, MTHLIP (HI/LO writes that are not multiplies)	DPAQ*, DPSQ*, MULSAQ*, MAQ*, MADD*, MSUB* (MAC's)	1
HI/LO	DPAQ*, DPSQ*, MULSAQ*, MAQ*, MADD*, MSUB*, MULT*, MTHI, MTLO, MTTR, EXT*, SHILO*, MTHLIP (HI/LO writes)	EXT*, SHILO* (HI/LO shifts)	3
HI/LO	DPAQ*, DPSQ*, MULSAQ*, MAQ*, MADD*, MSUB*, MULT*, MTHI, MTLO, MTTR, SHILO*, MTHLIP (HI/LO writes)	MTHLIP	3

1. For dependencies on a HI/LO accumulator, the delay clocks shown assume that the 1st and 2nd instruction are operating on the same accumulator.

The delays shown in table [Table 2-5](#) with a dependency on a HI/LO accumulator pair assume that the dependent instruction sequence is operating on the *same* accumulator pair. This is the worst case situation. The delay clock value can be reduced when the second instruction operates on a different accumulator. For example, consider the following sequence:

```
MULT (writing to accumulator 0)
MADD (writing to accumulator 1)
MSUB (writing to accumulator 2)
EXTR (reading from accumulator n)
```

If the EXTR instruction is reading accumulator 2 (n=2), then a delay of 3 cycles would apply between the MSUB and EXTR operation, as directly indicated in [Table 2-5](#). If the EXTR reads accumulator 1, then a delay of 2 cycles would apply between the MADD and EXTR, since there's already one unrelated instruction in between the dependent ones. If the EXTR reads accumulator 0, then a delay of 1 would apply between the MULT and EXTR. Finally, if the EXTR instruction is reading accumulator 3, then no delay would be incurred in the sequence.

[Table 2-6](#) shows the repeat rates for interesting sequences of instructions which perform multiplication. The repeat rate is the number of cycles the second instruction can be issued after the first instruction. A repeat rate of 1 indicates that the second instruction can be issued immediately after the first instruction with no delay cycle in between. For the first row, the repeat rate is for the case where there is no GPR dependency between the first and the second instruction.

Table 2-6 Multiply Repeat Rates

1st Instruction	2nd Instruction	Repeat Rate
MUL, MULQ*, MULE*	MUL, MULQ*, MULE*	1
DPAQ_S.*, DPSQ_S.*, MULSAQ*, MAQ_S*, MADD*, MSUB*, MULT	DPAQ*, DPSQ*, MULSAQ*, MAQ*, MADD*, MSUB*	1
_SA	DPAQ, DPSQ*, MULSAQ*, MAQ*, MADD*, MSUB*	2

Dependencies on the *DSPControl* register are handled in hardware. “Hot” values for most fields in this register are kept in EX/MS staging registers so the next instruction to execute will be able to use the most recent value as its input. The *ouflag* field is an exception because some of the *ouflag* bits are updated later than EX. For example, the DPAQ_SA instruction will update some *ouflag* bits when it completes at the end of the A stage in the MDU pipeline. However, a subsequent RDDSP* instruction needs to examine the *ouflag* value in EX. To handle this, additional logic has been added to ensure that the RDDSP* instruction is stalled until there are no DSP instruction in the MDU pipeline which may modify an *ouflag* bit.

Table 2-7 shows the delays for interesting sequences of instructions in which there is a dependency on the *DSPControl* register. The delays given assume that there is no data dependency other than that on the *DSPControl* register between the first and second instruction.

Table 2-7 Delays for Interesting Sequences with *DSPControl* dependency

1st Instruction	2nd Instruction	Delay Clocks
ADDSC	ADDWC	0
CMP*	PICK*	0
WRDSP*	INSV*	0

2.4.2 Multiply Pipeline Stages

The multiply operation begins in B_{MDU} stage, which would be the EX stage in the integer pipeline. The booth recoding function occurs at this time. The multiply calculation requires three clocks and occurs in the $M1_{MDU}$, $M2_{MDU}$, and $M3_{MDU}$ stages. The carry-lookahead-add (CLA) function occurs at the end of the $M3_{MDU}$ stage. In the A_{MDU} stage, the result is selected from the multiply data path, *HI* register, and *LO* register to be returned to the ALU for the MFHI, MFLO, and MUL instructions. If the MDU instruction is not one of these, the result is selected to be written into the *HI/LO* registers instead. The result is ready to be read from the *HI/LO* registers in the W_{MDU} stage.

The following figures illustrate a multiply (accumulate) instruction and the interaction with the main integer pipeline. These figures are applicable to MUL, MULT, MULTU, MADD, MADDU, MSUB, and MSUBU instructions

**Figure 2-12 Multiply Pipeline**

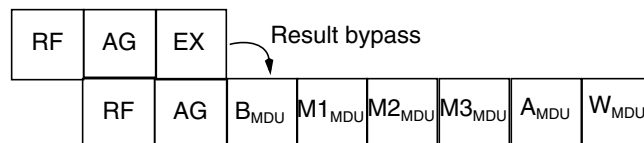
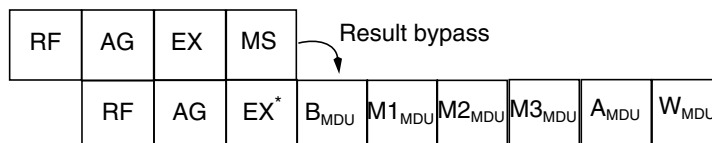


Figure 2-13 Multiply With Dependency From ALU



* - MUL enters EX stage but stalls because data is not ready

Figure 2-14 Multiply With Dependency From Load Hit

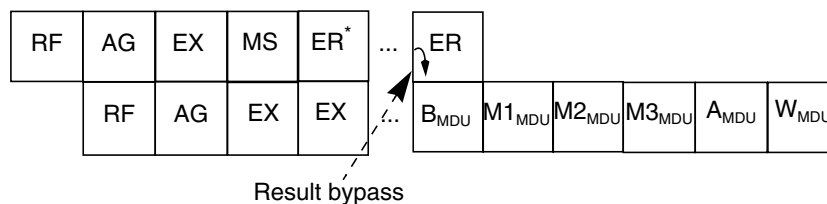


Figure 2-15 Multiply With Dependency From Load Miss

The following figure shows the results of the GPR targeted MUL instruction being bypassed to a later instruction. Independent instructions can execute while the multiply is happening. If a dependent instruction is found, it will stall until the result is available. When the MUL completes, it will arbitrate for access to the write port of the register file. If the integer pipe is busy with other instructions, the MDU pipeline will stall until the result can be written.

If the MUL target is being used as the base address for a load or store instruction, it needs to be bypassed by the AG stage, so one extra cycle will be required.

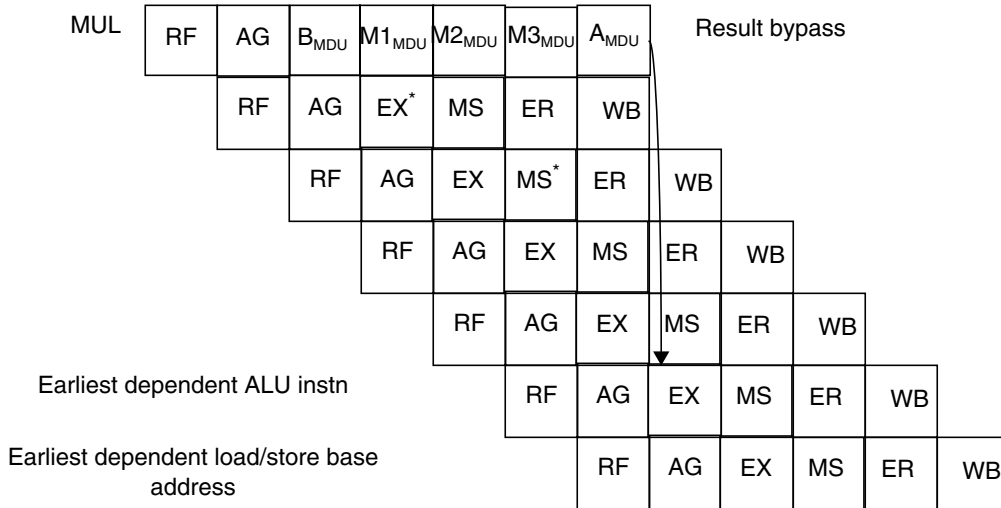


Figure 2-16 MUL bypassing result to integer instructions

2.4.3 Divide Operations

Divide operations are implemented using a simple non-restoring division algorithm. This algorithm works only for positive operands, hence the first cycle of the M_{MDU} stage is used to negate the rs operand (RS Adjust) if needed. Note that this cycle is spent even if the adjustment is not necessary. In cycle 2, the first add/subtract iteration is executed. In cycle 3 an early-in detection is performed. The adjusted rs operand is detected to be zero extended on the upper most 8, 16 or 24 bits. If this is the case the following 7, 15 or 23 cycles of the add/subtract iterations are skipped. During the next maximum 31 cycles (4-34), the remaining iterative add/subtract loop is executed.

The remainder adjust (Rem Adjust) cycle is required if the remainder was negative. Note that this cycle is spent even if the remainder was positive. A sign adjust is performed on the quotient and/or remainder if necessary. The sign adjust stages are skipped if both operands are positive.

Figure 2-17 on page 30, Figure 2-18 on page 31, Figure 2-19 on page 31 and Figure 2-20 on page 31 show the worst case latencies for 8, 16, 24 and 32 bit divide operations, respectively. The worst case repeat rate is either 14, 22, 30 or 38 cycles (two less if the *sign adjust* stage is skipped).

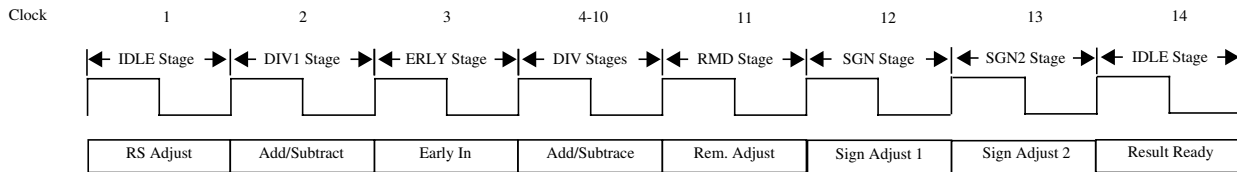


Figure 2-17 MDU Pipeline Flow During a 8-bit Divide (DIV) Operation

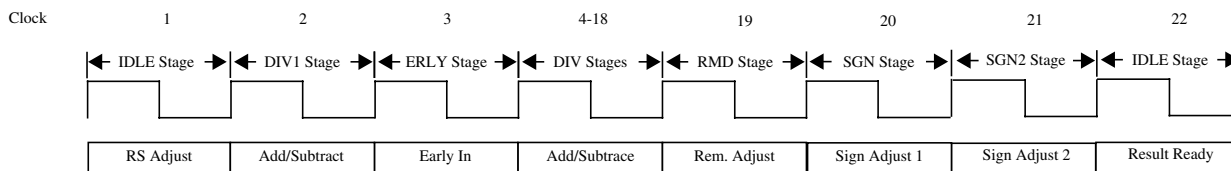


Figure 2-18 MDU Pipeline Flow During a 16-bit Divide (DIV) Operation

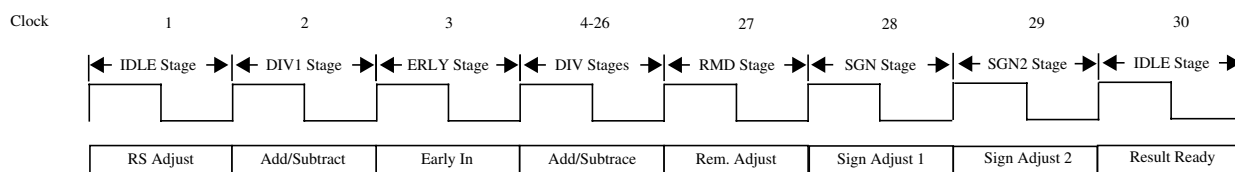


Figure 2-19 MDU Pipeline Flow During a 24-bit Divide (DIV) Operation

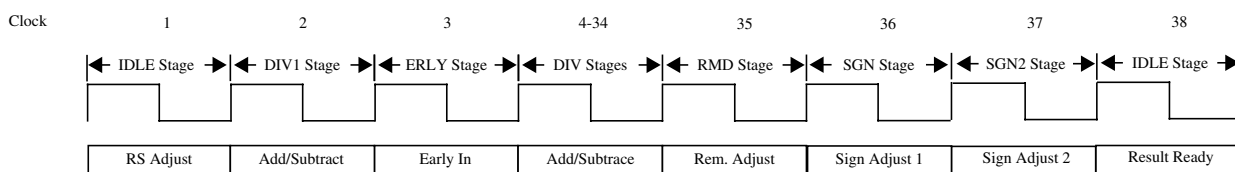


Figure 2-20 MDU Pipeline Flow During a 32-bit Divide (DIV) Operation

2.5 Skewed ALU

The 24KE core has a skewed ALU. This is referring to the fact that the ALU is located in the EX stage instead of the AG stage. This allows the load to use delay to be two cycles, the same as it was in the shorter 4KE pipeline. Software optimized for that pipeline can run without incurring additional stalls. Of course, this does not come for free - an ALU instruction generating the base address for a load or store will have an additional cycle stall. Independent of the ALU location, pointer chasing loads (loads generating the base address for following loads) will see the full 3 cycles of cache access time.

This is shown in [Figure 2-21](#). The earliest an ALU consumer of load data can issue is two cycles after the load. The earliest a load/store consumer can issue is three cycles after the load.

The bypass of data from the ALU is shown in [Figure 2-22](#). For back to back ALU instructions, the result is bypassed from the EX stage to the AG stage. For an ALU bypassing to the base address register of a load or store, the bypassing is from the EX stage to the RF stage and the load cannot issue until two cycles after the ALU instruction. Note that the data register for a store is not used in the AG stage and a dependency there will look like the ALU to ALU bypass.

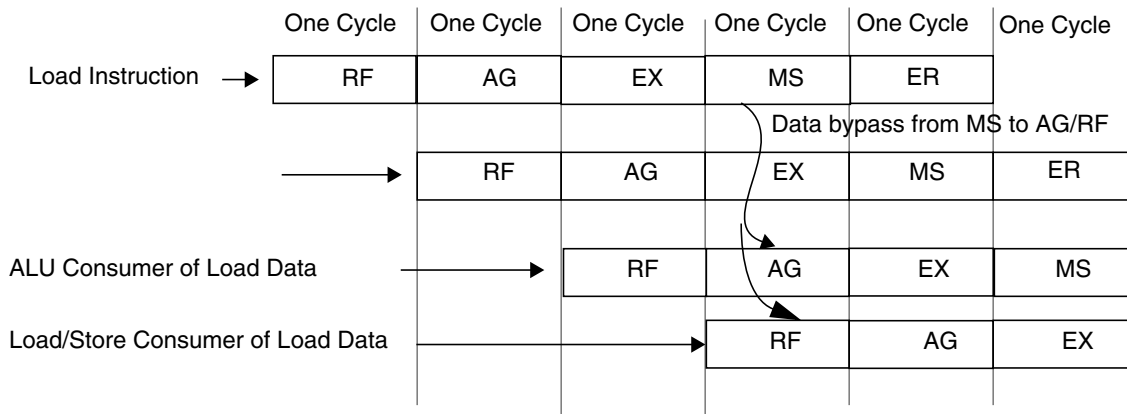


Figure 2-21 Load Data Bypass

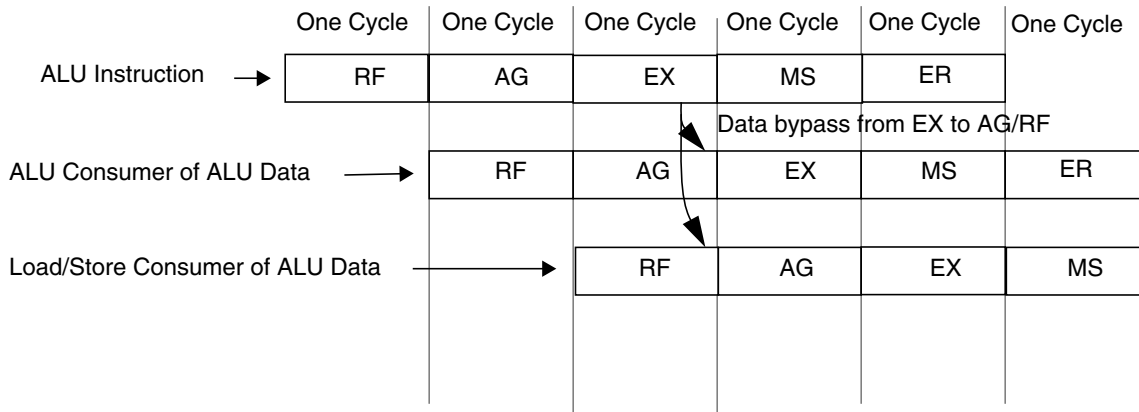


Figure 2-22 ALU Data Bypass

2.6 Interlock Handling

Smooth pipeline flow is interrupted when cache misses occur or when data dependencies are detected. Interruptions handled entirely in hardware, such as cache misses, are referred to as *interlocks*. At each cycle, interlock conditions are checked for all active instructions.

Table 2-8 lists the types of pipeline interlocks for the 24KE processor core.

Table 2-8 Pipeline Interlocks

Interlock Type	Sources	Slip Stage
GPR dependency - load/store address	Dest. register for any instruction in previous cycle	AG
	Dest. register for loads/MFCx/MDU instns in previous 2 cycles	

Table 2-8 Pipeline Interlocks (Continued)

Interlock Type	Sources	Slip Stage
MDU busy	Previous MDU operation not completed	AG
GPR dependency	Dest. register for loads/MFCx/MDU instns in previous cycle	EX
Destination GPR dependency	Outstanding GPR write to same register	MS
LSU	Load/Store address miss in microTLB Load Queue Full	MS
Blocking load miss	LWL/LWR miss Other load misses with non-blocking loads disabled	ER

In general, MIPS processors support two types of hardware interlocks:

- Stalls, which are resolved by halting the pipeline
- Slips, which allow one part of the pipeline to advance while another part of the pipeline is held static

In the 24KE processor core, all interlocks are handled as slips.

2.7 Instruction Interlocks

Most instructions can be issued at a rate of one per clock cycle. In order to adhere to the sequential programming model, the issue of an instruction must sometimes be delayed. This to ensure that the result of a prior instruction is available.

Table 2-9 details the instruction interactions that prevent an instruction from advancing in the processor pipeline.

Table 2-9 Instruction Interlocks

Instruction Interlocks			
First Instruction	Second Instruction	Issue Delay (in Clock Cycles)	Slip Stage
LB/LBU/LH/LHU/LL/LW/LWL/LWR	ALU Consumer of load data	1	EX stage
	Load/Store consumer for base address register	2	AG stage
MFC0	ALU consumer of destination register	2	EX stage
	Load/store consumer for base address	3	AG stage
MULTx/MADDx/MSUBx	MFLO/MFHI	0	
MUL/MFHI/MFLO	ALU Consumer of target data	4	EX stage
	Load/Store consumer of target data for base address	5	AG stage
MULTx/MADDx/MSUBx	MULT/MUL/MADD/MSUB MTHI/MTLO/DIV	0	EX stage

Table 2-9 Instruction Interlocks

Instruction Interlocks			
First Instruction	Second Instruction	Issue Delay (in Clock Cycles)	Slip Stage
DIV	MUL/MULTx/MADDx/ MSUBx/MTHI/MTLO/ MFHI/MFLO/DIV	See Table 2-2	EX stage
DSP related instructions	ALU consumer or other DSP instruction	See Table 2-5	EX stage
DSP instruction updating <i>DSPControl.ouflag</i>	RDDSP/WRDSP	See 2.4.1	EX stage
TLBWR/TLBWI	Load/Store/PREF/CACHE/ COPO op	2	EX stage
TLBR		1	EX stage

2.8 Hazards

In general, the 24KE core ensures that instructions are executed following a fully sequential program model. Each instruction in the program sees the results of the previous instruction. There are some deviations to this model. These deviations are referred to as *hazards*.

Prior to Release 2 of the MIPS32™ Architecture, hazards (primarily CP0 hazards) were relegated to implementation-dependent cycle-based solutions, primarily based on the SSNOP instruction. This has been an insufficient and error-prone practice that must be addressed with a firm compact between hardware and software. As such, new instructions have been added to Release 2 of the architecture which act as explicit barriers that eliminate hazards. To the extent that it was possible to do so, the new instructions have been added in such a way that they are backward-compatible with existing MIPS processors.

2.8.1 Types of Hazards

With one exception, all hazards were eliminated in Release 1 of the Architecture for unprivileged software. The exception occurs when unprivileged software writes a new instruction sequence and then wishes to jump to it. Such an operation remained a hazard, and is addressed by the capabilities of Release 2.

In privileged software, there are two different types of hazards: *execution hazards* and *instruction hazards*. Both are defined below.

2.8.1.1 Execution Hazards

Execution hazards are those created by the execution of one instruction, and seen by the execution of another instruction. Table 2-10 lists execution hazards.

Table 2-10 Execution Hazards

Producer	→	Consumer	Hazard On	Spacing (Instructions)
TLBWR, TLBWI	→	TLBP, TLBR	TLB entry	2
		Load/store using new TLB entry	TLB entry	3

Table 2-10 Execution Hazards

Producer	→	Consumer	Hazard On	Spacing (Instructions)
MTC0	→	Load/store affected by new state	WatchHi WatchLo	2
MTC0	→	MFC0	any cp0 register	2
MTC0	→	EI/DI	Status	2
MTC0	→	RDHWR \$3	Count	2
MTC0	→	Coprocessor instruction execution depends on the new value of Status _{CU}	Status _{CU}	2
MTC0	→	ERET	EPC DEPC ErrorEPC	2
MTC0	→	ERET	Status	2
EI, DI	→	Interrupted instruction	Status _{IE}	2
MTC0	→	Interrupted instruction	Status	2
MTC0	→	User-defined instruction (only for Pro core)	Status _{ERL} Status _{EXL}	4
MTC0	→	Interrupted Instruction	Cause _{IP}	2
TLBR	→	MFC0	EntryHi, EntryLo0, EntryLo1, PageMask	2
TLBP	→	MFC0	Index	2
MTC0	→	TLBR TLBWI TLBWR	EntryHi	2
MTC0	→	TLBP Load/store affected by new state	EntryHi _{ASID}	2
MTC0	→	TLBWI TLBWR	EntryLo0 EntryLo1	2
MTC0	→	TLBWI TLBWR	Index	2
MTC0	→	RDPGPR WRPGPR	SRSCtl _{PSS}	1
MTC0	→	Instruction not seeing a Timer Interrupt	Compare update that clears Timer Interrupt	4 ¹
MTC0	→	Instruction affected by change	Any other CP0 register	2

1. This is the minimum value. Actual value is system-dependent since it is a function of the sequential logic between the *SI_TimerInt* output and the external logic which feeds *SI_TimerInt* back into one of the *SI_Int* inputs, or a function of the method for handling *SI_TimerInt* in an external interrupt controller.

2.8.1.2 Instruction Hazards

Instruction hazards are those created by the execution of one instruction, and seen by the instruction fetch of another instruction. Table 2-11 lists instruction hazards. Because the fetch unit is decoupled from the execution unit, these hazards are rather large. The use of a hazard barrier instruction is highly recommended for reliable clearing of instruction hazards.

Table 2-11 Instruction Hazards

Producer	→	Consumer	Hazard On	Spacing (Instructions)
TLBWR, TLBWI	→	Instruction fetch using new TLB entry	TLB entry	10
MTC0	→	Instruction fetch seeing the new value including: 1. change to ERL followed by an instruction fetch from the useg segment and 2. change to ERL or EXL followed by a Watch exception	Status	10
MTC0	→	Instruction fetch seeing the new value	EntryHi _{ASID}	10
MTC0	→	Instruction fetch seeing the new value	WatchHi WatchLo	10
Instruction stream write via CACHE	→	Instruction fetch seeing the new instruction stream	Cache entries	10
Instruction stream write via store	→	Instruction fetch seeing the new instruction stream	Cache entries	System-depend ent ¹

1. This value depends on how long it takes for the store value to propagate through the system.

2.8.2 Instruction Listing

Table 2-12 lists the instructions designed to eliminate hazards. See the document titled *MIPS32™ Architecture for Programmers Volume II: The MIPS32 Instruction Set* (MD00084) for a more detailed description of these instructions.

Table 2-12 Hazard Instruction Listing

Mnemonic	Function
EHB	Clear execution hazard
ERET	Clears both execution and instruction hazards
JALR.HB	Clears both execution and instruction hazards
JR.HB	Clears both execution and instruction hazards
SYNCI	Synchronize caches after instruction stream write

2.8.2.1 Instruction Encoding

The EHB instruction is encoded using a variant of the NOP/SSNOP encoding. This encoding was chosen for compatibility with the Release 1 SSNOP instruction, such that existing software may be modified to be compatible with both Release 1 and Release 2 implementations. See the EHB instruction description for additional information.

The JALR.HB and JR.HB instructions are encoding using bit 10 of the *hint* field of the JALR and JR instructions. These encodings were chosen for compatibility with existing MIPS implementations, including many which pre-date the

MIPS32 architecture. Because a pipeline flush clears hazards on most early implementations, the JALR.HB or JR.HB instructions can be included in existing software for backward and forward compatibility. See the JALR.HB and JR.HB instructions for additional information.

The SYNCI instruction is encoded using a new encoding of the REGIMM opcode. This encoding was chosen because it causes a Reserved Instruction exception on all Release 1 implementations. As such, kernel software running on processors that don't implement Release 2 can emulate the function using the CACHE instruction.

2.8.3 Eliminating Hazards

The Spacing column shown in [Table 2-10](#) and [Table 2-11](#) indicates the number of unrelated instructions (such as NOPs or SSNOPs) that, prior to the capabilities of Release 2, would need to be placed between the producer and consumer of the hazard in order to ensure that the effects of the first instruction are seen by the second instruction. Entries in the table that are listed as 0 are traditional MIPS hazards which are not hazards on the 24KE core.

With the hazard elimination instructions available in Release 2, the preferred method to eliminate hazards is to place one of the instructions listed in [Table 2-12](#) between the producer and consumer of the hazard. Execution hazards can be removed by using the EHB, JALR.HB, or JR.HB instructions. Instruction hazards can be removed by using the JALR.HB or JR.HB instructions, in conjunction with the SYNCI instruction.

Floating-Point Unit of the 24KEf™ Core

This chapter describes the MIPS64® Floating-Point Unit (FPU) included in the 24KEf core. This chapter contains the following sections:

- Section 3.1, "Features Overview"
- Section 3.2, "Enabling the Floating-Point Coprocessor"
- Section 3.3, "Data Formats"
- Section 3.4, "Floating-Point General Registers"
- Section 3.5, "Floating-Point Control Registers"
- Section 3.6, "Instruction Overview"
- Section 3.7, "Exceptions"
- Section 3.8, "Pipeline and Performance"

3.1 Features Overview

The FPU is provided via Coprocessor 1. Together with its dedicated system software, the FPU fully complies with the ANSI/IEEE Standard 754-1985, *IEEE Standard for Binary Floating-Point Arithmetic*. The MIPS architecture supports the recommendations of IEEE Standard 754, and the coprocessor implements a precise exception model. The key features of the FPU are listed below:

- Full 64-bit operation is implemented in both the register file and functional units.
- A 32-bit Floating-Point Control Register controls the operation of the FPU, and monitors condition codes and exception conditions.
- Like the main processor core, Coprocessor 1 is programmed and operated using a Load/Store instruction set. The processor core communicates with Coprocessor 1 using a dedicated coprocessor interface. The FPU functions as an autonomous unit. The hardware is completely interlocked such that, when writing software, the programmer does not have to worry about inserting delay slots after loads and between dependent instructions.
- Additional arithmetic operations not specified by IEEE Standard 754 (for example, reciprocal and reciprocal square root) are specified by the MIPS architecture and are implemented by the FPU. In order to achieve low latency counts, these instructions satisfy more relaxed precision requirements.
- The MIPS architecture further specifies compound multiply-add instructions. These instructions meet the IEEE accuracy specification where the result is numerically identical to an equivalent computation using multiply, add, subtract, or negate instructions.

Figure 3-1 depicts a block diagram of the FPU.

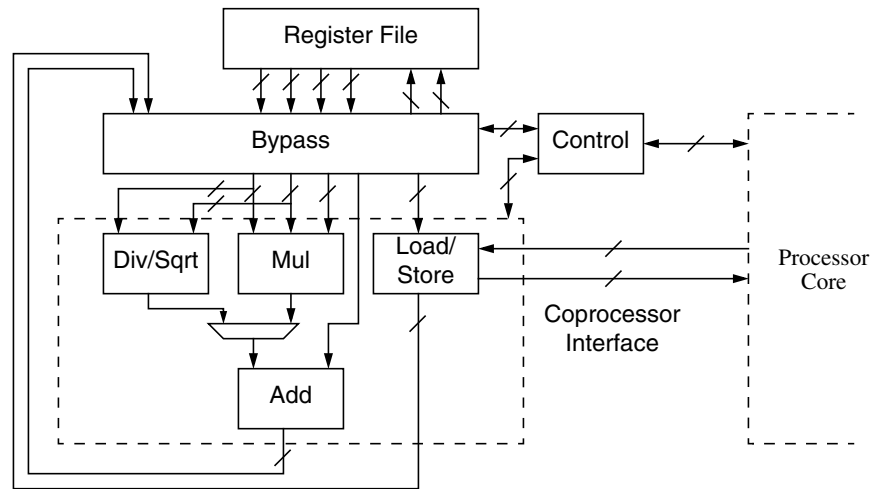


Figure 3-1 FPU Block Diagram

The MIPS architecture is designed such that a combination of hardware and software can be used to implement the architecture. The 24KE core FPU can operate on numbers within a specific range (in general, the IEEE normalized numbers), but it relies on a software handler to operate on numbers not handled by the FPU hardware (in general, the IEEE denormalized numbers). Supported number ranges for different instructions are described later in this chapter. A fast Flush To Zero mode is provided to optimize performance for cases where IEEE denormalized operands and results are not supported by hardware. The fast Flush to Zero mode is enabled through the CP1 *FCSR* register; use of this mode is recommended for best performance.

3.1.1 IEEE Standard 754

The IEEE Standard 754-1985, *IEEE Standard for Binary Floating-Point Arithmetic*, is referred to in this chapter as “IEEE Standard 754”. IEEE Standard 754 defines the following:

- Floating-point data types
- The basic arithmetic, comparison, and conversion operations
- A computational model

IEEE Standard 754 does not define specific processing resources nor does it define an instruction set.

For more information about this standard, see the IEEE web page at <http://stdsbbs.ieee.org/>.

3.2 Enabling the Floating-Point Coprocessor

Coprocessor 1 is enabled through the CU1 bit in the CP0 *Status* register. When Coprocessor 1 is not enabled, any attempt to execute a floating-point instruction causes a Coprocessor Unusable exception.

3.3 Data Formats

The FPU provides both floating-point and fixed-point data types, which are described below:

- The single- and double-precision floating-point data types are those specified by IEEE Standard 754.
- The fixed-point types are signed integers provided by the CPU architecture.

3.3.1 Floating-Point Formats

The FPU provides the following two floating-point formats:

- a 32-bit single-precision floating point (type S, shown in Figure 3-2)
- a 64-bit double-precision floating point (type D, shown in Figure 3-3)

The floating-point data types represent numeric values as well as the following special entities:

- Two infinities, $+\infty$ and $-\infty$
- Signaling non-numbers (SNaNs)
- Quiet non-numbers (QNaNs)
- Numbers of the form: $(-1)^s 2^E b_0.b_1 b_2..b_{p-1}$, where:
 - $s = 0$ or 1
 - $E =$ any integer between E_{\min} and E_{\max} , inclusive
 - $b_1 = 0$ or 1 (the high bit, b_0 , is to the left of the binary point)
 - p is the signed-magnitude precision

The single and double floating-point data types are composed of three fields—sign, exponent, fraction—whose sizes are listed in Table 3-1.

Table 3-1 Parameters of Floating-Point Data Types

Parameter	Single	Double
Bits of mantissa precision, p	24	53
Maximum exponent, E_{\max}	+127	+1023
Minimum exponent, E_{\min}	-126	-1022
Exponent <i>bias</i>	+127	+1023
Bits in exponent field, e	8	11
Representation of b_0 integer bit	hidden	hidden
Bits in fraction field, f	23	52
Total format width in bits	32	64
Magnitude of largest representable number	3.4028234664e+38	1.7976931349e+308
Magnitude of smallest normalized representable number	1.1754943508e-38	2.2250738585e-308

Layouts of these three fields are shown in Figures 3-2 and 3-3 below. The fields are:

- 1-bit sign, s
- Biased exponent, $e = E + bias$
- Binary fraction, $f = .b_1 b_2..b_{p-1}$ (the b_0 bit is *hidden*; it is not recorded)

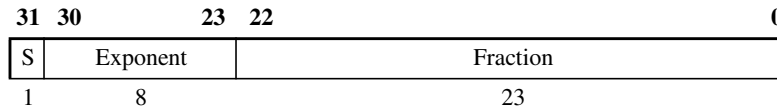


Figure 3-2 Single-Precision Floating-Point Format (S)

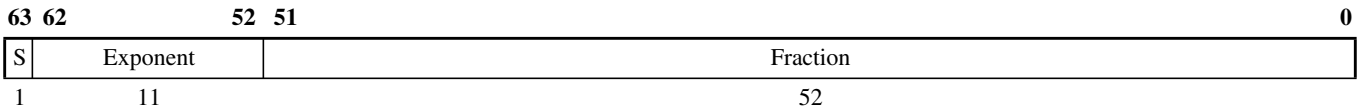


Figure 3-3 Double-Precision Floating-Point Format (D)

Values are encoded in the specified format using the unbiased exponent, fraction, and sign values listed in Table 3-2. The high-order bit of the Fraction field, identified as b_1 , is also important for NaNs.

Table 3-2 Value of Single or Double Floating-Point Data Type Encoding

Unbiased E	f	s	b_1	Value V	Type of Value	Typical Single Bit Pattern ¹	Typical Double Bit Pattern ^a
$E_{max} + 1$	$\neq 0$		1	SNaN	Signaling NaN	0x7fffffff	0x7fffffff ffffffff
			0	QNaN	Quiet NaN	0x7fbfffffff	0x7ff7ffff ffffffff
$E_{max} + 1$	0		1	$-\infty$	Minus infinity	0xff800000	0xfff00000 00000000
			0	$+\infty$	Plus infinity	0x7f800000	0x7ff00000 00000000
E_{max} to E_{min}			1	$-(2^E)(1.f)$	Negative normalized number	0x80800000 through 0xff7fffff	0x80100000 00000000 through 0xffefffff ffffffff
			0	$+(2^E)(1.f)$	Positive normalized number	0x00800000 through 0x7f7fffff	0x00100000 00000000 through 0x7fefffff ffffffff
$E_{min} - 1$	$\neq 0$		1	$-(2^{E_{min}})(0.f)$	Negative denormalized number	0x807fffff	0x800fffff ffffffff
			0	$+(2^{E_{min}})(0.f)$	Positive denormalized number	0x007fffff	0x00fffff ffffffff
$E_{min} - 1$	0		1	- 0	Negative zero	0x80000000	0x80000000 00000000
			0	+ 0	positive zero	0x00000000	0x00000000 00000000

1. The “Typical” nature of the bit patterns for the NaN and denormalized values reflects the fact that the sign might have either value (NaN) and that the fraction field might have any non-zero value (both). As such, the bit patterns shown are one value in a class of potential values that represent these special values.

3.3.1.1 Normalized and Denormalized Numbers

For single and double data types, each representable nonzero numerical value has just one encoding; numbers are kept in normalized form. The high-order bit of the p-bit mantissa, which lies to the left of the binary point, is “hidden,” and not recorded in the *Fraction* field. The encoding rules permit the value of this bit to be determined by looking at the value of the exponent. When the unbiased exponent is in the range E_{min} to E_{max} , inclusive, the number is normalized and the hidden bit must be 1. If the numeric value cannot be normalized because the exponent would be less than E_{min} , then the representation is denormalized, the encoded number has an exponent of $E_{min} - 1$, and the hidden bit has the value 0. Plus and minus zero are special cases that are not regarded as denormalized values.

3.3.1.2 Reserved Operand Values—Infinity and NaN

A floating-point operation can signal IEEE exception conditions, such as those caused by uninitialized variables, violations of mathematical rules, or results that cannot be represented. If a program does not trap IEEE exception conditions, a computation that encounters any of these conditions proceeds without trapping but generates a result indicating that an exceptional condition arose during the computation. To permit this case, each floating-point format defines representations (listed in [Table 3-2](#)) for plus infinity ($+\infty$), minus infinity ($-\infty$), quiet non-numbers (QNaN), and signaling non-numbers (SNaN).

3.3.1.3 Infinity and Beyond

Infinity represents a number with magnitude too large to be represented in the given format; it represents a magnitude overflow during a computation. A correctly signed ∞ is generated as the default result in division by zero operations and some cases of overflow as described in [Section 3.7.2, "Exception Conditions"](#).

Once created as a default result, ∞ can become an operand in a subsequent operation. The infinities are interpreted such that $-\infty < (\text{every finite number}) < +\infty$. Arithmetic with ∞ is the limiting case of real arithmetic with operands of arbitrarily large magnitude, when such limits exist. In these cases, arithmetic on ∞ is regarded as exact, and exception conditions do not arise. The out-of-range indication represented by ∞ is propagated through subsequent computations. For some cases, there is no meaningful limiting case in real arithmetic for operands of ∞ . These cases raise the Invalid Operation exception condition as described in [Section 3.7.2.1, "Invalid Operation Exception"](#).

3.3.1.4 Signalling Non-Number (SNaN)

SNaN operands cause an Invalid Operation exception for arithmetic operations. SNaNs are useful values to put in uninitialized variables. An SNaN is never produced as a result value.

IEEE Standard 754 states that “Whether copying a signaling NaN without a change of format signals the Invalid Operation exception is the implementor’s option.” The MIPS architecture makes the formatted operand move instructions (MOV.fmt, MOV.T.fmt, MOV.F.fmt, MOV.N.fmt, MOV.Z.fmt) non-arithmetic; they do not signal IEEE 754 exceptions.

3.3.1.5 Quiet Non-Number (QNaN)

QNaNs provide retrospective diagnostic information inherited from invalid or unavailable data and results. Propagation of the diagnostic information requires information contained in a QNaN to be preserved through arithmetic operations and floating-point format conversions.

QNaN operands do not cause arithmetic operations to signal an exception. When a floating-point result is to be delivered, a QNaN operand causes an arithmetic operation to supply a QNaN result. When possible, this QNaN result is one¹ of the operand QNaN values. QNaNs do have effects similar to SNaNs on operations that do not deliver a floating-point result—specifically, comparisons. (For more information, see the detailed description of the floating-point compare instruction, C.cond.fmt.).

When certain invalid operations not involving QNaN operands are performed but do not trap (because the trap is not enabled), a new QNaN value is created. [Table 3-3](#) shows the QNaN value generated when no input operand QNaN value can be copied. The values listed for the fixed-point formats are the values supplied to satisfy IEEE Standard 754 when a QNaN or infinite floating-point value is converted to fixed point. There is no other feature of the architecture that detects or makes use of these “integer QNaN” values.

¹ In case of one or more QNaN operands, a QNaN is propagated from one of the operands according to the following priority: 1: fs, 2: ft, 3: fr.

Table 3-3 Value Supplied When a New Quiet NaN is Created

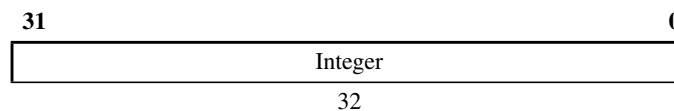
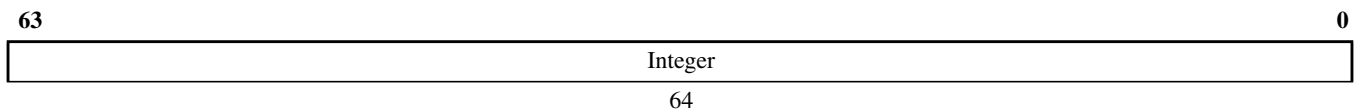
Format	New QNaN value
Single floating point	0x7fbf ffff
Double floating point	0x7ff7 ffff ffff ffff
Word fixed point	0x7fff ffff
Longword fixed point	0x7fff ffff ffff ffff

3.3.2 Fixed-Point Formats

The FPU provides two fixed-point data types:

- a 32-bit Word fixed point (type W), shown in Figure 3-4
- a 64-bit Longword fixed point (type L), shown in Figure 3-5

The fixed-point values are held in 2's complement format, which is used for signed integers in the CPU. Unsigned fixed-point data types are not provided by the architecture; application software can synthesize computations for unsigned integers from the existing instructions and data types.

**Figure 3-4 Word Fixed-Point Format (W)****Figure 3-5 Longword Fixed-Point Format (L)**

3.4 Floating-Point General Registers

This section describes the organization and use of the Floating-Point general Registers (FPRs). The FPU is a 64b FPU, but a 32b register mode for backwards compatibility is also supported. The FR bit in the CP0 *Status* register determines which mode is selected:

- When the FR bit is a 1, the 64b register model is selected, which defines 32 64-bit registers with all formats supported in a register.
- When the FR bit is a 0, the 32b register model is selected, which defines 32 32-bit registers with D-format values stored in even-odd pairs of registers; thus the register file can also be viewed as having 16 64-bit registers.

These registers transfer binary data between the FPU and the system, and are also used to hold formatted FPU operand values.

3.4.1 FPRs and Formatted Operand Layout

FPU instructions that operate on formatted operand values specify the Floating-Point Register (FPR) that holds the value. Operands that are only 32 bits wide (*W* and *S* formats) use only half the space in an FPR.

Figures 3-6 and 3-7 show the FPR organization and the way that operand data is stored in them.

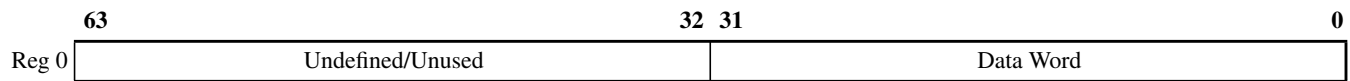


Figure 3-6 Single Floating-Point or Word Fixed-Point Operand in an FPR

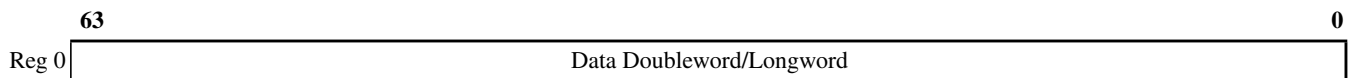


Figure 3-7 Double Floating-Point or Longword Fixed-Point Operand in an FPR

3.4.2 Formats of Values Used in FP Registers

Unlike the CPU, the FPU neither interprets the binary encoding of source operands nor produces a binary encoding of results for every operation. The value held in a floating-point operand register (FPR) has a format, or type, and it can be used only by instructions that operate on that format. The format of a value is either *uninterpreted*, *unknown*, or one of the valid numeric formats: *single* or *double* floating point, and *word* or *long* fixed point.

The value in an FPR is always set when a value is written to the register as follows:

- When a data transfer instruction writes binary data into an FPR (a load), the FPR receives a binary value that is *uninterpreted*.
- A computational or FP register move instruction that produces a result of type *fmt* puts a value of type *fmt* into the result register.

When an FPR with an *uninterpreted* value is used as a source operand by an instruction that requires a value of format *fmt*, the binary contents are interpreted as an encoded value in format *fmt*, and the value in the FPR changes to a value of format *fmt*. The binary contents cannot be reinterpreted in a different format.

If an FPR contains a value of format *fmt*, a computational instruction must not use the FPR as a source operand of a different format. If this case occurs, the value in the register becomes *unknown*, and the result of the instruction is also a value that is *unknown*. Using an FPR containing an *unknown* value as a source operand produces a result that has an *unknown* value.

The format of the value in the FPR is unchanged when it is read by a data transfer instruction (a store). A data transfer instruction produces a binary encoding of the value contained in the FPR. If the value in the FPR is *unknown*, the encoded binary value produced by the operation is not defined.

The state diagram in Figure 3-8 illustrates the manner in which the formatted value in an FPR is set and changed.

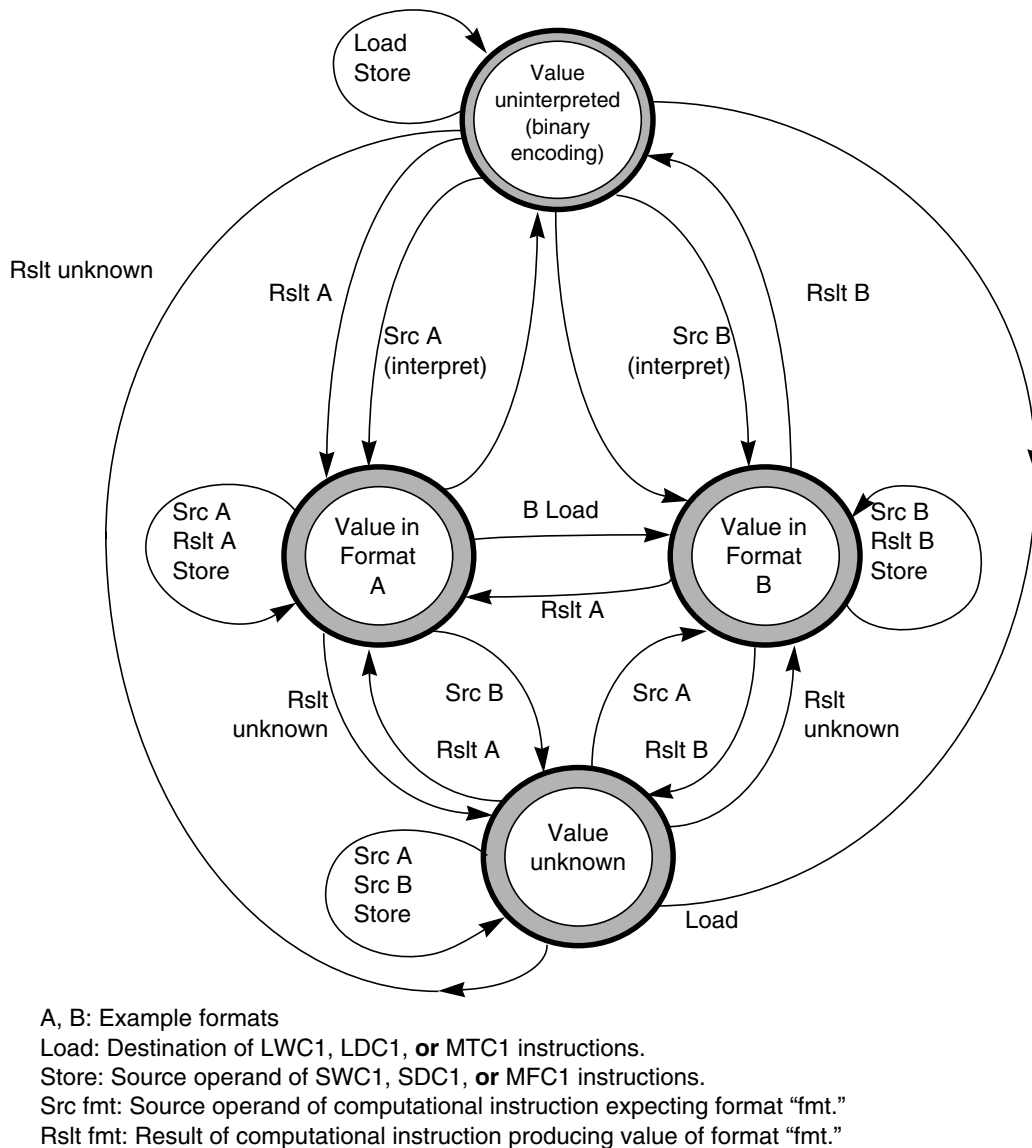


Figure 3-8 Effect of FPU Operations on the Format of Values Held in FPRs

3.4.3 Binary Data Transfers (32-Bit and 64-Bit)

The data transfer instructions move words and doublewords between the FPU FPRs and the remainder of the system. The operations of the word and doubleword load and move-to instructions are shown in [Figure 3-9](#) and [Figure 3-10](#), respectively.

The store and move-from instructions operate in reverse, reading data from the location that the corresponding load or move-to instruction had written.

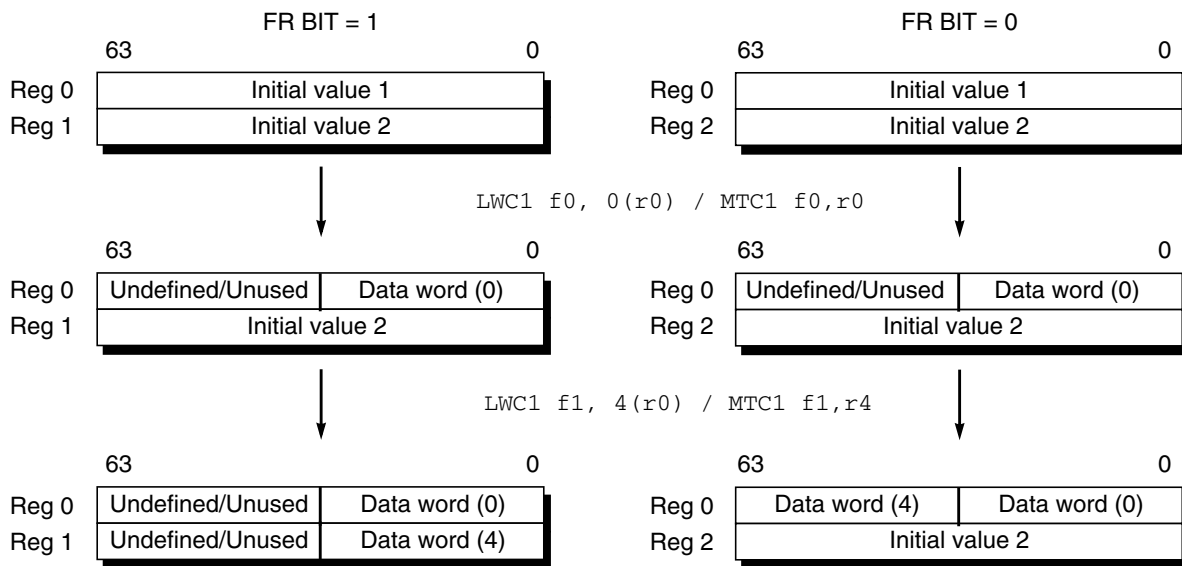


Figure 3-9 FPU Word Load and Move-to Operations

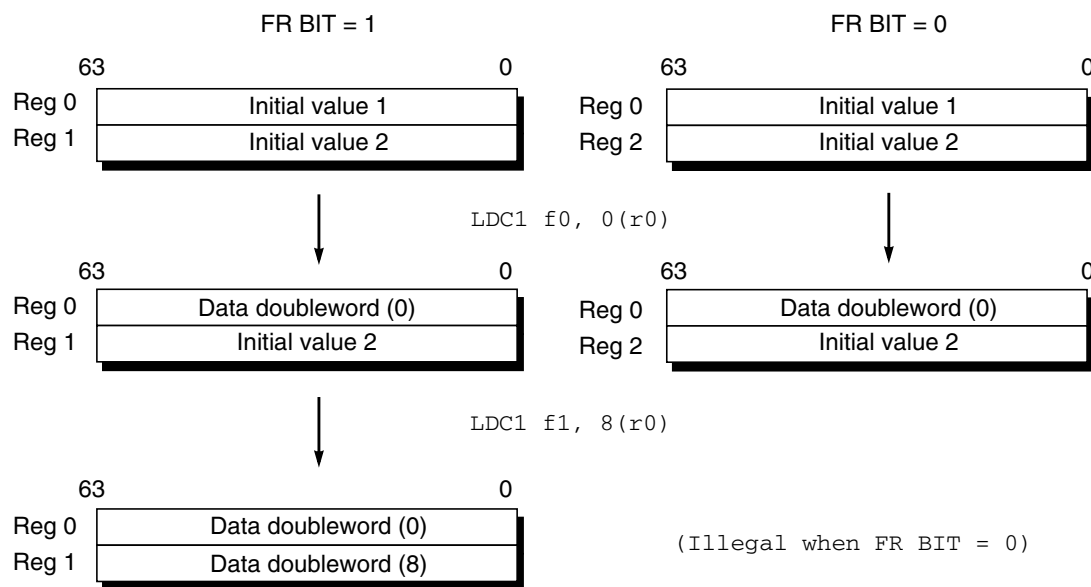


Figure 3-10 FPU Doubleword Load and Move-to Operations

3.5 Floating-Point Control Registers

The FPU Control Registers (FCRs) identify and control the FPU. The five FPU control registers are 32 bits wide: *FIR*, *FCCR*, *FEXR*, *FENR*, *FCSR*. Three of these registers, *FCCR*, *FEXR*, and *FENR*, select subsets of the floating-point Control/Status register, the *FCSR*. These registers are also denoted Coprocessor 1 (CP1) control registers.

CPI control registers are summarized in [Table 3-4](#) and are described individually in the following subsections of this chapter. Each register’s description includes the read/write properties and the reset state of each field.

Table 3-4 Coprocessor 1 Register Summary

Register Number	Register Name	Function
0	FIR	Floating-Point Implementation register. Contains information that identifies the FPU.
25	FCCR	Floating-Point Condition Codes register.
26	FEXR	Floating-Point Exceptions register.
28	FENR	Floating-Point Enables register.
31	FCSR	Floating-Point Control and Status register.

[Table 3-5](#) defines the notation used for the read/write properties of the register bit fields.

Table 3-5 Read/Write Properties

Read/Write Notation	Hardware Interpretation	Software Interpretation
R/W	<p>All bits in this field are readable and writable by software and potentially by hardware.</p> <p>Hardware updates of this field are visible by software reads. Software updates of this field are visible by hardware reads.</p> <p>If the reset state of this field is “Undefined,” either software or hardware must initialize the value before the first read returns a predictable value. This definition should not be confused with the formal definition of UNDEFINED behavior.</p>	
R	<p>This field is either static or is updated only by hardware.</p> <p>If the Reset State of this field is either “0” or “Preset”, hardware initializes this field to zero or to the appropriate state, respectively, on powerup.</p> <p>If the Reset State of this field is “Undefined”, hardware updates this field only under those conditions specified in the description of the field.</p>	<p>A field to which the value written by software is ignored by hardware. Software may write any value to this field without affecting hardware behavior. Software reads of this field return the last value updated by hardware.</p> <p>If the Reset State of this field is “Undefined,” software reads of this field result in an UNPREDICTABLE value except after a hardware update done under the conditions specified in the description of the field.</p>
0	<p>Hardware does not update this field. Hardware can assume a zero value.</p>	<p>The value software writes to this field must be zero. Software writes of non-zero values to this field might result in UNDEFINED behavior of the hardware. Software reads of this field return zero as long as all previous software writes are zero.</p> <p>If the Reset State of this field is “Undefined,” software must write this field with zero before it is guaranteed to read as zero.</p>

3.5.1 Floating-Point Implementation Register (FIR, CP1 Control Register 0)

The Floating-Point Implementation Register (*FIR*) is a 32-bit read-only register that contains information identifying the capabilities of the FPU, the Floating-Point processor identification, and the revision level of the FPU. Figure 3-11 shows the format of the *FIR*; Table 3-6 describes the *FIR* bit fields.

31	30	29	28	27	26	25	24	23	22	21	20	19	18	17	16	15	14	13	12	11	10	9	8	7	6	5	4	3	2	1	0	
0								FC	0	F64	L	W	3D	PS	D	S	ProcessorID								Revision							

Figure 3-11 FIR Format

Table 3-6 FIR Bit Field Descriptions

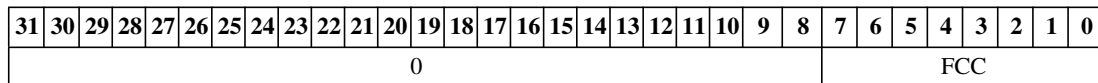
Fields		Description	Read/Write	Reset State
Name	Bits			
FC	24	Indicates that full convert ranges are implemented: 0: Full convert ranges not implemented 1: Full convert ranges implemented This bit is always 1 to indicate that full convert ranges are implemented. This means that all numbers can be converted to another type by the FPU (If FS bit in FCSR is not set Unimplemented Operation exception can still happen on denormal operands though).	R	1
F64	22	Indicates that this is a 64-bit FPU: 0: Not a 64-bit FPU 1: A 64-bit FPU. This bit is always 1 to indicate that this is a 64-bit FPU.	R	1
L	21	Indicates that the long fixed point (L) data type and instructions are implemented: 0: Long type not implemented 1: Long implemented This bit is always 1 to indicate that long fixed point data types are implemented.	R	1
W	20	Indicates that the word fixed point (W) data type and instructions are implemented: 0: Word type not implemented 1: Word implemented This bit is always 1 to indicate that word fixed point data types are implemented.	R	1
3D	19	Indicates that the MIPS-3D ASE is implemented: 0: MIPS-3D not implemented 1: MIPS-3D implemented This bit is always 0 to indicate that MIPS-3D is not implemented.	R	0

Table 3-6 FIR Bit Field Descriptions

Fields		Description	Read/ Write	Reset State
Name	Bits			
PS	18	Indicates that the paired-single (PS) floating-point data type and instructions are implemented: 0: PS floating-point not implemented 1: PS floating-point implemented This bit is always 0 to indicate that paired-single floating-point data types are not implemented.	R	0
D	17	Indicates that the double-precision (D) floating-point data type and instructions are implemented: 0: D floating-point not implemented 1: D floating-point implemented This bit is always 1 to indicate that double-precision floating-point data types are implemented.	R	1
S	16	Indicates that the single-precision (S) floating-point data type and instructions are implemented: 0: S floating-point not implemented 1: S floating-point implemented This bit is always 1 to indicate that single-precision floating-point data types are implemented.	R	1
Processor ID	15:8	Identifies the floating-point processor. This value matches the corresponding field of the CP0 PRId register.	R	0x93
Revision	7:0	Specifies the revision number of the FPU. This field allows software to distinguish between one revision and another of the same floating-point processor type. This value matches the corresponding field of the CP0 PRId register.	R	Hardwired
0	31:25, 23	These bits must be written as zeros; they return zeros on reads.	0	0

3.5.2 Floating-Point Condition Codes Register (FCCR, CP1 Control Register 25)

The Floating-Point Condition Codes Register (*FCCR*) is an alternative way to read and write the floating-point condition code values that also appear in the *FCSR*. Unlike the *FCSR*, all eight FCC bits are contiguous in the *FCCR*. [Figure 3-12](#) shows the format of the *FCCR*; [Table 3-7](#) describes the *FCCR* bit fields.

**Figure 3-12 FCCR Format****Table 3-7 FCCR Bit Field Descriptions**

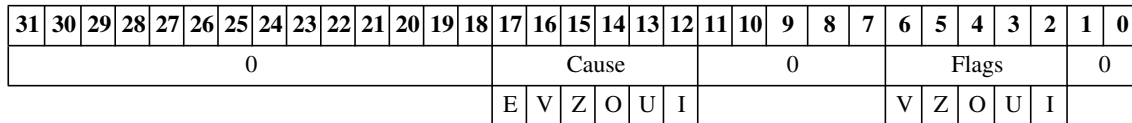
Fields		Description	Read/ Write	Reset State
Name	Bits			
FCC	7:0	Floating-point condition code. Refer to the description of this field in Section 3.5.5, "Floating-Point Control and Status Register (FCSR, CP1 Control Register 31)" .	R/W	Undefined

Table 3-7 FCCR Bit Field Descriptions

Fields		Description	Read/ Write	Reset State
Name	Bits			
0	31:8	These bits must be written as zeros; they return zeros on reads.	0	0

3.5.3 Floating-Point Exceptions Register (FEXR, CP1 Control Register 26)

The Floating-Point Exceptions Register (*FEXR*) is an alternative way to read and write the Cause and Flags fields that also appear in the *FCSR*. [Figure 3-13](#) shows the format of the *FEXR*; [Table 3-8](#) describes the *FEXR* bit fields.

**Figure 3-13 FEXR Format****Table 3-8 FEXR Bit Field Descriptions**

Fields		Description	Read/ Write	Reset State
Name	Bits			
Cause	17:12	Cause bits. Refer to the description of this field in Section 3.5.5, "Floating-Point Control and Status Register (FCSR, CP1 Control Register 31)" .	R/W	Undefined
Flags	6:2	Flag bits. Refer to the description of this field in Section 3.5.5, "Floating-Point Control and Status Register (FCSR, CP1 Control Register 31)" .	R/W	Undefined
0	31:18, 11:7, 1:0	These bits must be written as zeros; they return zeros on reads.	0	0

3.5.4 Floating-Point Enables Register (FENR, CP1 Control Register 28)

The Floating-Point Enables Register (*FENR*) is an alternative way to read and write the Enables, FS, and RM fields that also appear in the *FCSR*. Figure 3-14 shows the format of the *FENR*; Table 3-9 describes the *FENR* bit fields.

31	30	29	28	27	26	25	24	23	22	21	20	19	18	17	16	15	14	13	12	11	10	9	8	7	6	5	4	3	2	1	0
0											Enables					0			FS	RM											
											V	Z	O	U	I																

Figure 3-14 FENR Format

Table 3-9 FENR Bit Field Descriptions

Fields		Description	Read/ Write	Reset State
Name	Bits			
Enables	11:7	Enable bits. Refer to the description of this field in Section 3.5.5, "Floating-Point Control and Status Register (FCSR, CP1 Control Register 31)".	R/W	Undefined
FS	2	Flush to Zero bit. Refer to the description of this field in Section 3.5.5, "Floating-Point Control and Status Register (FCSR, CP1 Control Register 31)".	R/W	Undefined
RM	1:0	Rounding mode. Refer to the description of this field in Section 3.5.5, "Floating-Point Control and Status Register (FCSR, CP1 Control Register 31)".	R/W	Undefined
0	31:12, 6:3	These bits must be written as zeros; they return zeros on reads.	0	0

3.5.5 Floating-Point Control and Status Register (FCSR, CP1 Control Register 31)

The 32-bit Floating-Point Control and Status Register (*FCSR*) controls the operation of the FPU and shows the following status information:

- selects the default rounding mode for FPU arithmetic operations
- selectively enables traps of FPU exception conditions
- controls some denormalized number handling options
- reports any IEEE exceptions that arose during the most recently executed instruction
- reports any IEEE exceptions that cumulatively arose in completed instructions
- indicates the condition code result of FP compare instructions

Access to the *FCSR* is not privileged; it can be read or written by any program that has access to the FPU (via the coprocessor enables in the *Status* register). Figure 3-15 shows the format of the *FCSR*; Table 3-10 describes the *FCSR* bit fields.

31	30	29	28	27	26	25	24	23	22	21	20	19	18	17	16	15	14	13	12	11	10	9	8	7	6	5	4	3	2	1	0
FCC							FS	FCC	FO	FN	0				Cause					Enables					Flags					RM	
7	6	5	4	3	2	1	0				E	V	Z	O	U	I	V	Z	O	U	I	V	Z	O	U	I					

Figure 3-15 FCSR Format

Table 3-10 FCSR Bit Field Descriptions

Fields		Description	Read/ Write	Reset State
Name	Bit			
FCC	31:25, 23	Floating-point condition codes. These bits record the result of floating-point compares and are tested for floating-point conditional branches and conditional moves. The FCC bit to use is specified in the compare, branch, or conditional move instruction. For backward compatibility with previous MIPS ISAs, the FCC bits are separated into two non-contiguous fields.	R/W	Undefined
FS	24	Flush to Zero (FS). Refer to Section 3.5.6, "Operation of the FS/FO/FN Bits" for more details on this bit.	R/W	Undefined
FO	22	Flush Override (FO). Refer to Section 3.5.6, "Operation of the FS/FO/FN Bits" for more details on this bit.	R/W	Undefined
FN	21	Flush to Nearest (FN). Refer to Section 3.5.6, "Operation of the FS/FO/FN Bits" for more details on this bit.	R/W	Undefined
Cause	17:12	Cause bits. These bits indicate the exception conditions that arise during execution of an FPU arithmetic instruction. A bit is set to 1 when the corresponding exception condition arises during the execution of an instruction; otherwise, it is cleared to 0. By reading the registers, the exception condition caused by the preceding FPU arithmetic instruction can be determined. Refer to Table 3-11 for the meaning of each cause bit.	R/W	Undefined
Enables	11:7	Enable bits. These bits control whether or not a trap is taken when an IEEE exception condition occurs for any of the five conditions. The trap occurs when both an enable bit and its corresponding cause bit are set either during an FPU arithmetic operation or by moving a value to the <i>FCSR</i> or one of its alternative representations. Note that Cause bit E (CauseE) has no corresponding enable bit; the MIPS architecture defines non-IEEE Unimplemented Operation exceptions as always enabled. Refer to Table 3-11 for the meaning of each enable bit.	R/W	Undefined
Flags	6:2	Flag bits. This field shows any exception conditions that have occurred for completed instructions since the flag was last reset by software. When an FPU arithmetic operation raises an IEEE exception condition that does not result in a Floating-Point Exception (the enable bit was off), the corresponding bit(s) in the Flags field are set, while the others remain unchanged. Arithmetic operations that result in a Floating-Point Exception (the enable bit was on) do not update the Flags field. Hardware never resets this field; software must explicitly reset this field. Refer to Table 3-11 for the meaning of each flag bit.	R/W	Undefined

Table 3-10 FCSR Bit Field Descriptions (Continued)

Fields		Description	Read/ Write	Reset State
Name	Bit			
RM	1:0	Rounding mode. This field indicates the rounding mode used for most floating-point operations (some operations use a specific rounding mode). Refer to Table 3-12 for the encoding of this field.	R/W	Undefined
0	20:18	These bits must be written as zeros; they return zeros on reads.	0	0

Table 3-11 Cause, Enables, and Flags Definitions

Bit Name	Bit Meaning
E	Unimplemented Operation (this bit exists only in the Cause field).
V	Invalid Operations
Z	Divide by Zero
O	Overflow
U	Underflow
I	Inexact

Table 3-12 Rounding Mode Definitions

RM Field Encoding	Meaning
0	RN - Round to Nearest Rounds the result to the nearest representable value. When two representable values are equally near, the result is rounded to the value whose least significant bit is zero (even).
1	RZ - Round Toward Zero Rounds the result to the value closest to but not greater in magnitude than the result.
2	RP - Round Towards Plus Infinity Rounds the result to the value closest to but not less than the result.
3	RM - Round Towards Minus Infinity Rounds the result to the value closest to but not greater than the result.

3.5.6 Operation of the FS/FO/FN Bits

The FS, FO, and FN bits in the CP1 *FCSR* register control handling of denormalized operands and *tiny* results (i.e. nonzero result between $\pm 2^{E_{min}}$), whereby the FPU can handle these cases right away instead of relying on the much slower software handler. The trade-off is a loss of IEEE compliance and accuracy (except for use of the FO bit), because a minimal normalized or zero result is provided by the FPU instead of the more accurate denormalized result that a software handler would give. The benefit is a significantly improved performance and precision.

Use of the FS, FO, and FN bits affects handling of denormalized floating-point numbers and tiny results for the instructions listed below:

FS and FN bit: ADD, CEIL, CVT, DIV, FLOOR, MADD, MSUB, MUL, NMADD, NMSUB, RECIP, ROUND, RSQRT, SQRT, TRUNC, SUB, ABS, C.cond, and NEG¹

FO bit: MADD, MSUB, NMADD, and NMSUB

1. For ABS, C.cond, and NEG, denormal input operands or tiny results do not result in Unimplemented exceptions when FS = 0. Flushing to zero nonetheless is implemented when FS = 1 such that these operations return the same result as an equivalent sequence of arithmetic FPU operations.

Instructions not listed above do not cause Unimplemented Operation exceptions on denormalized numbers in operands or results.

Figure 3-16 depicts how the FS, FO, and FN bits control handling of denormalized numbers. For instructions that are not multiply or add types (such as DIV), only the FS and FN bits apply.

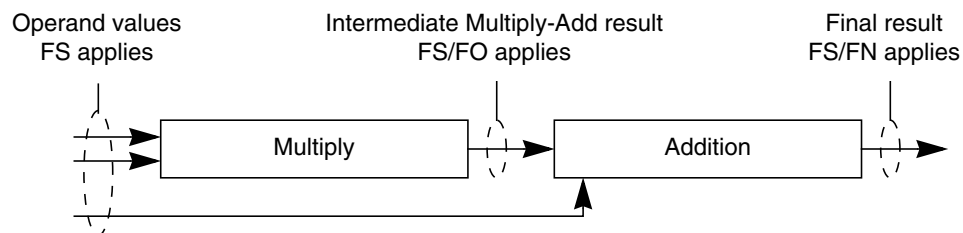


Figure 3-16 FS/FO/FN Bits Influence on Multiply and Addition Results

3.5.6.1 Flush To Zero Bit

When the Flush To Zero (FS) bit is set, denormal input operands are flushed to zero. Tiny results are flushed to either zero or the applied format's smallest normalized number (MinNorm) depending on the rounding mode settings. Table 3-13 lists the flushing behavior for tiny results.

Table 3-13 Zero Flushing for Tiny Results

Rounding Mode	Negative Tiny Result	Positive Tiny Result
RN (RM=0)	-0	+0
RZ(RM=1)	-0	+0
RP (RM=2)	-0	+MinNorm
RM (RM=3)	-MinNorm	+0

The flushing of results is based on an intermediate result computed by rounding the mantissa using an unbounded exponent range; that is, tiny numbers are not *normalized* into the supported exponent range by shifting in leading zeros prior to rounding.

Handling of denormalized operand values and tiny results depends on the FS bit setting as shown in Table 3-14.

Table 3-14 Handling of Denormalized Operand Values and Tiny Results Based on FS Bit Setting

FS Bit	Handling of Denormalized Operand Values
0	An Unimplemented Operation exception is taken.
1	Instead of causing an Unimplemented Operation exception, operands are flushed to zero, and tiny results are forced to zero or MinNorm.

3.5.6.2 Flush Override Bit

When the Flush Override (FO) bit is set, a tiny intermediate result of any multiply-add type instruction is not flushed according to the FS bit. The intermediate result is maintained in an internal normalized format to improve accuracy. FO only applies to the intermediate result of a multiply-add type instruction.

Handling of tiny intermediate results depends on the FO and FS bits as shown in [Table 3-15](#).

Table 3-15 Handling of Tiny Intermediate Result Based on the FO and FS Bit Settings

FO Bit	FS Bit	Handling of Tiny Result Values
0	0	An Unimplemented Operation exception is taken.
0	1	The intermediate result is forced to the value that would have been delivered for an untrapped underflow (see Table 3-32) instead of causing an Unimplemented Operation exception.
1	Don't care	The intermediate result is kept in an internal format, which can be perceived as having the usual mantissa precision but with unlimited exponent precision and without forcing to a specific value or taking an exception.

3.5.6.3 Flush to Nearest

When the Flush to Nearest (FN) bit is set and the rounding mode is Round to Nearest (RN), a tiny final result is flushed to zero or MinNorm. If a tiny number is strictly below MinNorm/2, the result is flushed to zero; otherwise, it is flushed to MinNorm (see [Figure 3-17](#)). The flushed result has the same sign as the result prior to flushing. Note that the FN bit takes precedence over the FS bit.

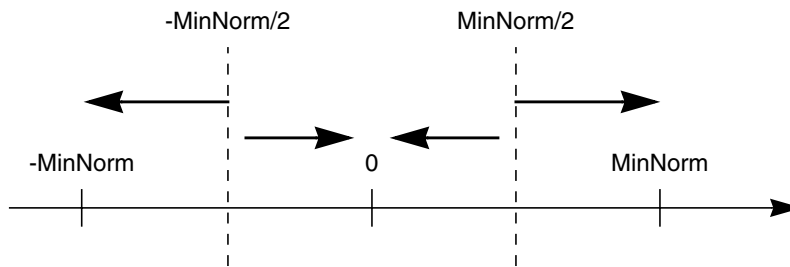


Figure 3-17 Flushing to Nearest when Rounding Mode is Round to Nearest

For all rounding modes other than Round to Nearest (RN), setting the FN bit causes final results to be flushed to zero or MinNorm as if the FS bit was set.

Handling of tiny final results depends on the FN and FS bits as shown in [Table 3-16](#).

Table 3-16 Handling of Tiny Final Result Based on FN and FS Bit Settings

FN Bit	FS Bit	Handling of Tiny Result Values
0	0	An Unimplemented Operation exception is taken.
0	1	Final result is forced to the value that would have been delivered for an untrapped underflow (see Table 3-32) rather than causing an Unimplemented Operation exception.
1	Don't care	Final result is rounded to either zero or $2^{E_{\min}}$ (MinNorm), whichever is closest when in Round to Nearest (RN) rounding mode. For other rounding modes, a final result is given as if FS was set to 1.

3.5.6.4 Recommended FS/FO/FN Settings

Table 3-17 summarizes the recommended FS/FO/FN settings.

Table 3-17 Recommended FS/FO/FN Settings

FS Bit	FO Bit	FN Bit	Remarks
0	0	0	IEEE-compliant mode. Low performance on denormal operands and tiny results.
1	0	0	Regular embedded applications. High performance on denormal operands and tiny results.
1	1	1	Highest accuracy and performance configuration. ¹

1. Note that in this mode, MADD might return a different result other than the equivalent MUL and ADD operation sequence.

3.5.7 FCSR Cause Bit Update Flow

3.5.7.1 Exceptions Triggered by CTC1

Regardless of the targeted control register, the CTC1 instruction causes the Enables and Cause fields of the *FCSR* to be inspected in order to determine if an exception is to be thrown.

3.5.7.2 Generic Flow

Computations are performed in two steps:

1. Compute rounded mantissa with unbound exponent range.
2. Flush to default result if the result from Step #1 above is overflow or tiny (no flushing happens on denorms for instructions supporting denorm results, such as MOV).

The Cause field is updated after each of these two steps. Any enabled exceptions detected in these two steps cause a trap, and no further updates to the Cause field are done by subsequent steps.

Step #1 can set cause bits I, U, O, Z, V, and E. E has priority over V; V has priority over Z; and Z has priority over U and O. Thus when E, V, or Z is set in Step #1, no other cause bits can be set. However, note that I and V both can be set if a denormal operand was flushed (FS = 1). I, U, and O can be set alone or in pairs (IU or IO). U and O never can be set simultaneously in Step #1. U and O are set if the computed unbounded exponent is outside the exponent range supported by the normalized IEEE format.

Step #2 can set I if a default result is generated.

3.5.7.3 Multiply-Add Flow

For multiply-add type instructions, the computation is extended with two more steps:

1. Compute rounded mantissa with unbound exponent range for the multiply.
2. Flush to default result if the result from Step #1 is overflow or tiny (no flushing happens on tiny results if FO = 1).
3. Compute rounded mantissa with unbounded exponent range for the add.
4. Flush to default result if the result from Step #3 is overflow or tiny.

The Cause field is updated after each of these four steps. Any enabled exceptions detected in these four steps cause a trap, and no further updates to the Cause field are done by subsequent steps.

Step #1 and Step #3 can set a cause bit as described for Step #1 in [Section 3.5.7.2, "Generic Flow"](#).

Step #2 and Step #4 can set I if a default result is generated.

Although U and O can never both be set in Step #1 or Step #3, both U and O might be set after the multiply-add has executed in Step #3 because U might be set in Step #1 and O might be set in Step #3.

3.5.7.4 Cause Update Flow for Input Operands

Denormal input operands to Step #1 or Step #3 always set Cause bit I when FS = 1. For example, SNaN+DeNorm set I (and V) provided that Step #3 was reached (in case of a multiply-add type instruction).

Conditions directly related to the input operand (for example, I/E set due to DeNorm, V set due to SNaN and QNaN propagation) are detected in the step where the operand is logically used. For example, for multiply-add type instructions, exceptional conditions caused by the input operand fr are detected in Step #3.

3.5.7.5 Cause Update Flow for Unimplemented Operations

Note that Cause bit E is special; it clears any Cause updates done in previous steps. For example, if Step #3 caused E to be set, any I, U, or O Cause update done in Step #1 or Step #2 is cleared. Only E is set in the Cause field when an Unimplemented Operation trap is taken.

3.6 Instruction Overview

The functional groups into which the FPU instructions are divided are described in the following subsections:

- [Section 3.6.1, "Data Transfer Instructions"](#)
- [Section 3.6.2, "Arithmetic Instructions"](#)
- [Section 3.6.3, "Conversion Instructions"](#)
- [Section 3.6.4, "Formatted Operand-Value Move Instructions"](#)
- [Section 3.6.5, "Conditional Branch Instructions"](#)
- [Section 3.6.6, "Miscellaneous Instructions"](#)

The instructions are described in detail in [Chapter 13, "24KE™ Processor Core Instructions,"](#) on page 299, including descriptions of supported formats (fmt).

3.6.1 Data Transfer Instructions

The FPU has two separate register sets: coprocessor general registers (FPRs) and coprocessor control registers (FCRs). The FPU has a load/store architecture; all computations are done on data held in coprocessor general registers. The control registers are used to control FPU operation. Data is transferred between registers and the rest of the system with dedicated load, store, and move instructions. The transferred data is treated as unformatted binary data; no format conversions are performed, and therefore no IEEE floating-point exceptions can occur.

Table 3-18 lists the supported transfer operations.

Table 3-18 FPU Data Transfer Instructions

Transfer Direction		Data Transferred	
FPU general register	↔	Memory	Word/doubleword load/store
FPU general register	↔	CPU general register	Word move
FPU control register	↔	CPU general register	Word move

3.6.1.1 Data Alignment in Loads, Stores, and Moves

All coprocessor loads and stores operate on naturally aligned data items. An attempt to load or store to an address that is not naturally aligned for the data item causes an Address Error exception. Regardless of byte ordering (the endianness), the address of a word or doubleword is the smallest byte address in the object. For a big-endian machine, this is the most-significant byte; for a little-endian machine, this is the least-significant byte.

3.6.1.2 Addressing Used in Data Transfer Instructions

The FPU has loads and stores using the same register+offset addressing as that used by the CPU. Moreover, for the FPU only, there are load and store instructions using *register+register* addressing.

Tables 3-19 through 3-20 list the FPU data transfer instructions.

Table 3-19 FPU Loads and Stores Using Register+Offset Address Mode

Mnemonic	Instruction
LDC1	Load Doubleword to Floating Point
LWC1	Load Word to Floating Point
SDC1	Store Doubleword to Floating Point
SWC1	Store Word to Floating Point

Table 3-20 FPU Move To and From Instructions

Mnemonic	Instruction
CFC1	Move Control Word From Floating Point
CTC1	Move Control Word To Floating Point
MFC1	Move Word From Floating Point
MTC1	Move Word To Floating Point

3.6.2 Arithmetic Instructions

Arithmetic instructions operate on formatted data values. The results of most floating-point arithmetic operations meet IEEE Standard 754 for accuracy—a result is identical to an infinite-precision result that has been rounded to the specified format using the current rounding mode. The rounded result differs from the exact result by less than one Unit in the Least-significant Place (ULP).

In general, the arithmetic instructions take an Unimplemented Operation exception for denormalized numbers, except for the ABS, C, and NEG instructions, which can handle denormalized numbers. The FS, FO, and FN bits in the CP1 *FCSR* register can override this behavior as described in [Section 3.5.6, "Operation of the FS/FO/FN Bits"](#).

[Table 3-21](#) lists the FPU IEEE compliant arithmetic operations.

Table 3-21 FPU IEEE Arithmetic Operations

Mnemonic	Instruction
ABS.fmt	Floating-Point Absolute Value
ADD.fmt	Floating-Point Add
C.cond.fmt	Floating-Point Compare
DIV.fmt	Floating-Point Divide
MUL.fmt	Floating-Point Multiply
NEG.fmt	Floating-Point Negate
SQRT.fmt	Floating-Point Square Root
SUB.fmt	Floating-Point Subtract

The two low latency operations, Reciprocal Approximation (RECIP) and Reciprocal Square Root Approximation (RSQRT), might be less accurate than the IEEE specification:

- The result of RECIP differs from the exact reciprocal by no more than one ULP.
- The result of RSQRT differs from the exact reciprocal square root by no more than two ULPs.

[Table 3-22](#) lists the FPU-approximate arithmetic operations.

Table 3-22 FPU-Approximate Arithmetic Operations

Mnemonic	Instruction
RECIP.fmt	Floating-Point Reciprocal Approximation
RSQRT.fmt	Floating-Point Reciprocal Square Root Approximation

Four compound-operation instructions perform variations of multiply-accumulate operations; that is, multiply two operands, accumulate the result to a third operand, and produce a result. These instructions are listed in [Table 3-23](#). The product is rounded according to the current rounding mode prior to the accumulation. This model meets the IEEE accuracy specification; the result is numerically identical to an equivalent computation using multiply, add, subtract, or negate instructions.

Table 3-23 FPU Multiply-Accumulate Arithmetic Operations

Mnemonic	Instruction
MADD.fmt	Floating-Point Multiply Add
MSUB.fmt	Floating-Point Multiply Subtract
NMADD.fmt	Floating-Point Negative Multiply Add
NMSUB.fmt	Floating-Point Negative Multiply Subtract

3.6.3 Conversion Instructions

These instructions perform conversions between floating-point and fixed-point data types. Each instruction converts values from a number of operand formats to a particular result format. Some conversion instructions use the rounding mode specified in the Floating Control/Status register (*FCSR*), while others specify the rounding mode directly.

In general, the conversion instructions only take an Unimplemented Operation exception for denormalized numbers. The FS and FN bits in the CP1 *FCSR* register can override this behavior as described in [Section 3.5.6, "Operation of the FS/FO/FN Bits"](#).

[Table 3-24](#) and [Table 3-25](#) list the FPU conversion instructions according to their rounding mode.

Table 3-24 FPU Conversion Operations Using the FCSR Rounding Mode

Mnemonic	Instruction
CVT.D.fmt	Floating-Point Convert to Double Floating Point
CVT.L.fmt	Floating-Point Convert to Long Fixed Point
CVT.S.fmt	Floating-Point Convert to Single Floating Point
CVT.W.fmt	Floating-Point Convert to Word Fixed Point

Table 3-25 FPU Conversion Operations Using a Directed Rounding Mode

Mnemonic	Instruction
CEIL.L.fmt	Floating-Point Ceiling to Long Fixed Point
CEIL.W.fmt	Floating-Point Ceiling to Word Fixed Point
FLOOR.L.fmt	Floating-Point Floor to Long Fixed Point
FLOOR.W.fmt	Floating-Point Floor to Word Fixed Point
ROUND.L.fmt	Floating-Point Round to Long Fixed Point
ROUND.W.fmt	Floating-Point Round to Word Fixed Point
TRUNC.L.fmt	Floating-Point Truncate to Long Fixed Point
TRUNC.W.fmt	Floating-Point Truncate to Word Fixed Point

3.6.4 Formatted Operand-Value Move Instructions

These instructions move formatted operand values among FPU general registers. A particular operand type must be moved by the instruction that handles that type. There are three kinds of move instructions:

- Unconditional move
- Conditional move that tests an FPU true/false condition code
- Conditional move that tests a CPU general-purpose register against zero

Conditional move instructions operate in a way that might be unexpected. They always force the value in the destination register to become a value of the format specified in the instruction. If the destination register does not contain an operand of the specified format before the conditional move is executed, the contents become undefined. (For more information, see the individual descriptions of the conditional move instructions in the *MIPS32 Architecture Reference Manual, Volume II*.)

Table 3-26 through Table 3-28 list the formatted operand-value move instructions.

Table 3-26 FPU Formatted Operand Move Instruction

Mnemonic	Instruction
MOV.fmt	Floating-Point Move

Table 3-27 FPU Conditional Move on True/False Instructions

Mnemonic	Instruction
MOV.F.fmt	Floating-Point Move Conditional on FP False
MOV.T.fmt	Floating-Point Move Conditional on FP True

Table 3-28 FPU Conditional Move on Zero/Non-Zero Instructions

Mnemonic	Instruction
MOV.N.fmt	Floating-Point Move Conditional on Nonzero
MOV.Z.fmt	Floating-Point Move Conditional on Zero

3.6.5 Conditional Branch Instructions

The FPU has PC-relative conditional branch instructions that test condition codes set by FPU compare instructions (C.cond.fmt).

All branches have an architectural delay of one instruction. When a branch is taken, the instruction immediately following the branch instruction is said to be in the branch delay slot; it is executed before the branch to the target instruction takes place. Conditional branches come in two versions, depending upon how they handle an instruction in the delay slot when the branch is not taken and execution falls through:

- Branch instructions execute the instruction in the delay slot.
- Branch likely instructions do not execute the instruction in the delay slot if the branch is not taken (they are said to nullify the instruction in the delay slot).

Although the Branch Likely instructions are included, software is strongly encouraged to avoid the use of the Branch Likely instructions, as they will be removed from a future revision of the MIPS Architecture.

The MIPS64 architecture defines eight condition codes for use in compare and branch instructions. For backward compatibility with previous revisions of the ISA, condition code bit 0 and condition code bits 1 through 7 are in discontinuous fields in the *FCSR*.

Table 3-29 lists the conditional branch (branch and branch likely) FPU instructions; Table 3-30 lists the deprecated conditional branch likely instructions.

Table 3-29 FPU Conditional Branch Instructions

Mnemonic	Instruction
BC1F	Branch on FP False
BC1T	Branch on FP True

Table 3-30 Deprecated FPU Conditional Branch Likely Instructions

Mnemonic	Instruction
BC1FL	Branch on FP False Likely
BC1TL	Branch on FP True Likely

3.6.6 Miscellaneous Instructions

The MIPS32 architecture defines various miscellaneous instructions that conditionally move one CPU general register to another, based on an FPU condition code.

Table 3-31 lists these conditional move instructions.

Table 3-31 CPU Conditional Move on FPU True/False Instructions

Mnemonic	Instruction
MOVN	Move Conditional on FP False
MOVZ	Move Conditional on FP True

3.7 Exceptions

FPU exceptions are implemented in the MIPS FPU architecture with the Cause, Enables, and Flags fields of the *FCSR*. The flag bits implement IEEE exception status flags, and the cause and enable bits control exception trapping. Each field has a bit for each of the five IEEE exception conditions. The Cause field has an additional exception bit, Unimplemented Operation, used to trap for software emulation assistance. If an exception type is enabled through the Enables field of the *FCSR*, then the FPU is operating in precise exception mode for this type of exception.

3.7.1 Precise Exception Mode

In precise exception mode, a trap occurs before the instruction that causes the trap or any following instruction can complete and write its results. If desired, the software trap handler can resume execution of the interrupted instruction stream after handling the exception.

The Cause field reports per-bit instruction exception conditions. The cause bits are written during each floating-point arithmetic operation to show any exception conditions that arise during the operation. A cause bit is set to 1 if its corresponding exception condition arises; otherwise, it is cleared to 0.

A floating-point trap is generated any time both a cause bit and its corresponding enable bit are set. This case occurs either during the execution of a floating-point operation or when moving a value into the *FCSR*. There is no enable bit for Unimplemented Operations; this exception always generates a trap.

In a trap handler, exception conditions that arise during any trapped floating-point operations are reported in the Cause field. Before returning from a floating-point interrupt or exception, or before setting cause bits with a move to the *FCSR*, software first must clear the enabled cause bits by executing a move to the *FCSR* to prevent the trap from being erroneously retaken.

If a floating-point operation sets only non-enabled cause bits, no trap occurs and the default result defined by IEEE Standard 754 is stored (see Table 3-32). When a floating-point operation does not trap, the program can monitor the exception conditions by reading the Cause field.

The Flags field is a cumulative report of IEEE exception conditions that arise as instructions complete; instructions that trap do not update the flag bits. The flag bits are set to 1 if the corresponding IEEE exception is raised, otherwise the bits are unchanged. There is no flag bit for the MIPS Unimplemented Operation exception. The flag bits are never cleared as a side effect of floating-point operations, but they can be set or cleared by moving a new value into the *FCSR*.

3.7.2 Exception Conditions

The subsections below describe the following five exception conditions defined by IEEE Standard 754:

- Section 3.7.2.1, "Invalid Operation Exception"
- Section 3.7.2.2, "Division By Zero Exception"
- Section 3.7.2.3, "Underflow Exception"
- Section 3.7.2.4, "Overflow Exception"
- Section 3.7.2.5, "Inexact Exception"

Section 3.7.2.6, "Unimplemented Operation Exception" also describes a MIPS-specific exception condition, Unimplemented Operation Exception, that is used to signal a need for software emulation of an instruction. Normally an IEEE arithmetic operation can cause only one exception condition; the only case in which two exceptions can occur at the same time are Inexact With Overflow and Inexact With Underflow.

At the program's direction, an IEEE exception condition can either cause a trap or not cause a trap. IEEE Standard 754 specifies the result to be delivered in case no trap is taken. The FPU supplies these results whenever the exception condition does not result in a trap. The default action taken depends on the type of exception condition and, in the case of the Overflow and Underflow, the current rounding mode. Table 3-32 summarizes the default results.

Table 3-32 Result for Exceptions Not Trapped

Bit	Description	Default Action
V	Invalid Operation	Supplies a quiet NaN.
Z	Divide by zero	Supplies a properly signed infinity.
U	Underflow	Depends on the rounding mode as shown below: 0 (RN) and 1 (RZ): Supplies a zero with the sign of the exact result. 2 (RP): For positive underflow values, supplies $2^{E_{\min}}$ (MinNorm). For negative underflow values, supplies a positive zero. 3 (RM): For positive underflow values, supplies a negative zero. For negative underflow values, supplies a negative $2^{E_{\min}}$ (MinNorm). Note that this behavior is only valid if the <i>FCSR</i> FN bit is cleared.
I	Inexact	Supplies a rounded result. If caused by an overflow without the overflow trap enabled, supplies the overflowed result. If caused by an underflow without the underflow trap enabled, supplies the underflowed result.
O	Overflow	Depends on the rounding mode, as shown below: 0 (RN): Supplies an infinity with the sign of the exact result. 1 (RZ): Supplies the format's largest finite number with the sign of the exact result. 2 (RP): For positive overflow values, supplies positive infinity. For negative overflow values, supplies the format's most negative finite number. 3 (RM): For positive overflow values, supplies the format's largest finite number. For negative overflow values, supplies minus infinity.

3.7.2.1 Invalid Operation Exception

An Invalid Operation exception is signaled when one or both of the operands are invalid for the operation to be performed. When the exception condition occurs without a precise trap, the result is a quiet NaN.

The following operations are invalid:

- One or both operands are a signaling NaN (except for the non-arithmetic MOV.fmt, MOVT.fmt, MOVF.fmt, MOVN.fmt, and MOVZ.fmt instructions).
- Addition or subtraction: magnitude subtraction of infinities, such as $(+\infty) + (-\infty)$ or $(-\infty) - (-\infty)$.
- Multiplication: $0 \times \infty$, with any signs.
- Division: $0/0$ or ∞/∞ , with any signs.
- Square root: An operand of less than 0 (-0 is a valid operand value).
- Conversion of a floating-point number to a fixed-point format when either an overflow or an operand value of infinity or NaN precludes a faithful representation in that format.
- Some comparison operations in which one or both of the operands is a QNaN value.

3.7.2.2 Division By Zero Exception

The divide operation signals a Division By Zero exception if the divisor is zero and the dividend is a finite nonzero number. When no precise trap occurs, the result is a correctly signed infinity. Divisions ($0/0$ and $\infty/0$) do not cause the Division By Zero exception. The result of ($0/0$) is an Invalid Operation exception. The result of ($\infty/0$) is a correctly signed infinity.

3.7.2.3 Underflow Exception

Two related events contribute to underflow:

- Tininess: The creation of a tiny, nonzero result between $\pm 2^{E_{min}}$ which, because it is tiny, might cause some other exception later such as overflow on division. IEEE Standard 754 allows choices in detecting tininess events. The MIPS architecture specifies that tininess be detected after rounding, when a nonzero result computed as though the exponent range were unbounded would lie strictly between $\pm 2^{E_{min}}$.
- Loss of accuracy: The extraordinary loss of accuracy occurs during the approximation of such tiny numbers by denormalized numbers. IEEE Standard 754 allows choices in detecting loss of accuracy events. The MIPS architecture specifies that loss of accuracy be detected as inexact result, when the delivered result differs from what would have been computed if both the exponent range and precision were unbounded.

The way that an underflow is signaled depends on whether or not underflow traps are enabled:

- When an underflow trap is not enabled, underflow is signaled only when both tininess and loss of accuracy have been detected. The delivered result might be zero, denormalized, or $2^{E_{min}}$.
- When an underflow trap is enabled (through the *FCSR* Enables field), underflow is signaled when tininess is detected regardless of loss of accuracy.

3.7.2.4 Overflow Exception

An Overflow exception is signaled when the magnitude of a rounded floating-point result (if the exponent range is unbounded) is larger than the destination format's largest finite number.

When no precise trap occurs, the result is determined by the rounding mode and the sign of the intermediate result.

3.7.2.5 Inexact Exception

An Inexact exception is signaled when one of the following occurs:

- The rounded result of an operation is not exact.
- The rounded result of an operation overflows without an overflow trap.
- When a denormal operand is flushed to zero.

3.7.2.6 Unimplemented Operation Exception

The Unimplemented Operation exception is a MIPS-defined exception that provides software emulation support. This exception is not IEEE-compliant.

The MIPS architecture is designed so that a combination of hardware and software can implement the architecture. Operations not fully supported in hardware cause an Unimplemented Operation exception, allowing software to perform the operation.

There is no enable bit for this condition; it always causes a trap (but the condition is effectively masked for all operations when FS=1). After the appropriate emulation or other operation is done in a software exception handler, the original instruction stream can be continued.

An Unimplemented Operation exception is taken in the following situations:

- when denormalized operands or tiny results are encountered for instructions not supporting denormal numbers and where such are not handled by the FS/FO/FN bits.

3.8 Pipeline and Performance

This section describes the structure and operation of the FPU pipeline.

3.8.1 Pipeline Overview

The FPU has a seven stage pipeline to which the integer pipeline dispatches instructions. The FPU pipeline runs in parallel with the 24KE integer pipeline. The FPU can be built to run at either the same frequency as the integer core or at one-half the frequency of the integer core.

The FPU pipe is optimized for single-precision instructions, such that the basic multiply, ADD/SUB, and MADD/MSUB instructions can be performed with single-cycle throughput and low latency. Executing double-precision multiply and MADD/MSUB instructions requires a second pass through the M1 stage to generate all 64 bits of the product. Executing long latency instructions, such as DIV and RSQRT, extends the M1 stage. [Figure 3-18](#) shows the FPU pipeline.

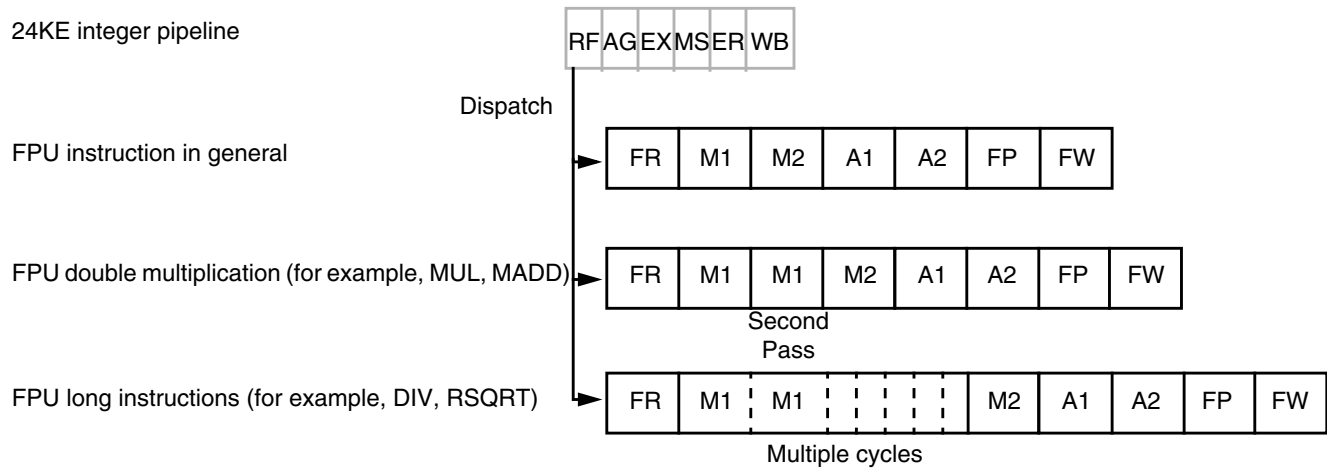


Figure 3-18 FPU Pipeline

3.8.1.1 FR Stage - Decode, Register Read, and Unpack

The FR stage has the following functionality:

- The dispatched instruction is decoded for register accesses.
- Data is read from the register file.
- The operands are unpacked into an internal format.

3.8.1.2 M1 Stage - Multiply Tree

The M1 stage has the following functionality:

- A single-cycle multiply array is provided for single-precision data format multiplication, and two cycles are provided for double-precision data format multiplication.
- The long instructions, such as divide and square root, iterate for several cycles in this stage.
- Sum of exponents is calculated.

3.8.1.3 M2 Stage - Multiply Complete

The M2 stage has the following functionality:

- Multiplication is complete when the carry-save encoded product is compressed into binary.
- Rounding is performed.
- Exponent difference for addition path is calculated.

3.8.1.4 A1 Stage - Addition First Step

This stage performs the first step of the addition.

3.8.1.5 A2 Stage - Addition Second and Final Step

This stage performs the second and final step of the addition.

3.8.1.6 FP Stage - Result Pack

The FP stage has the following functionality:

- The result coming from the datapath is packed into IEEE 754 Standard format for the FPR register file.
- Overflow and underflow exceptional conditions are resolved.

3.8.1.7 FW Stage - Register Write

The result is written to the FPR register file.

3.8.2 Bypassing

The FPU pipeline implements extensive bypassing, as shown in [Figure 3-19](#). Results do not need to be written into the register file and read back before they can be used, but can be forwarded directly to an instruction already in the pipe. Some bypassing is disabled when operating in 32-bit register file mode, the FP bit in the CP0 *Status* register is 0, due to the paired even-odd 32-bit registers that provide 64-bit registers.

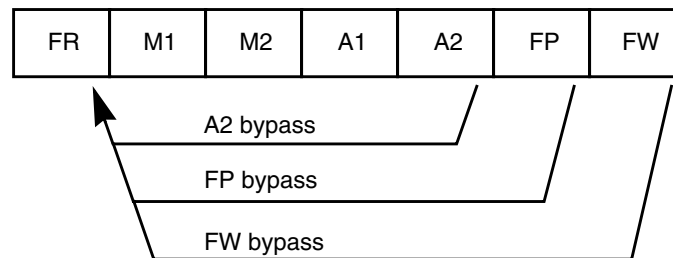


Figure 3-19 Arithmetic Pipeline Bypass Paths

3.8.3 Repeat Rate and Latency

[Table 3-33](#) shows the repeat rate and latency for the FPU instructions. Note that cycles related to floating point operations are listed in terms of FPU clocks.

Table 3-33 24KEf Core FPU Latency and Repeat Rate

Opcode ¹	Latency (cycles)	Repeat Rate (cycles)
ABS.[S,D], NEG.[S,D], ADD.[S,D], SUB.[S,D], MUL.S, MADD.S, MSUB.S, NMADD.S, NMSUB.S	4	1
MUL.D, MADD.D, MSUB.D, NMADD.D, NMSUB.D	5	2
RECIP.S	13	10
RECIP.D	25	21
RSQRT.S	17	14
RSQRT.D	35	31
DIV.S, SQRT.S	17	14
DIV.D, SQRT.D	32	29
C.cond.[S,D] to MOVF.fmt and MOVT.fmt instruction / MOVT, MOVN, BC1 instruction	1 / 2	1

Table 3-33 24KEf Core FPU Latency and Repeat Rate (Continued)

Opcode¹	Latency (cycles)	Repeat Rate (cycles)
CVT.D.S, CVT.[S,D].[W,L]	4	1
CVT.S.D	6	1
CVT.[W,L].[S,D], CEIL.[W,L].[S,D], FLOOR.[W,L].[S,D], ROUND.[W,L].[S,D], TRUNC.[W,L].[S,D]	5	1
MOV.[S,D], MOVF.[S,D], MOVN.[S,D], MOVT.[S,D], MOVZ.[S,D]	4	1
LWC1, LDC1, LDXC1, LUXC1, LWXC1	3	1
MTC1, MFC1	2	1

1. Format: S = Single, D = Double, W = Word, L = Longword.

The MIPS® DSP Application-Specific Extension to the MIPS32® Instruction Set

The 24KE core includes support for the DSP ASE to accelerate a wide range of signal processing applications. Refer to Volume IV-e of the *MIPS32 Architecture Reference Manual* for a general description of the DSP ASE as well as detailed instruction descriptions. More detailed programming information is contained in the DSP chapter of *Programming the 24KE Core Family*.

4.1 Additional Register State for the DSP ASE

The DSP ASE adds four additional registers, three accumulator registers and a control register. These registers require the operating system to recognize the presence of the DSP ASE and to include these additional registers in the context save and restore operation.

4.1.1 Additional HI-LO Registers

Three additional *HI-LO* registers, which together with the existing one would comprise a total of four accumulator registers. Many common DSP computations are accumulate functions, for example, the filter operation, convolution, etc. The *HI-LO* accumulator in the MIPS architecture would be the destination for such instructions. The instructions that target the accumulators use 2 bits to specify the destination accumulator, with the zero value referring to the original accumulator.

4.1.2 DSP Control Register

A control register *DSPControl* used to hold extra state bits needed for efficient support of the DSP instructions. [Figure 4-1](#) illustrates the bits in this register. [Table 4-1](#) describes the use of the various bits and the instructions that refer the fields. [Table 4-2](#) lists the instructions that affect the ouflag field.

Figure 4-1 MIPS32® DSP ASE Control Register (*DSPControl*) Format

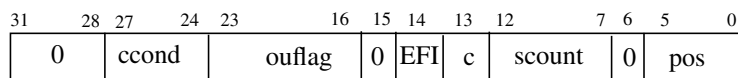


Table 4-1 MIPS® DSP ASE Control Register (*DSPControl*) Field Descriptions

Fields		Description	Read/Write	Reset State	Compliance
Name	Bits				
0	31:28	Not used in the MIPS32 architecture, but these are reserved bits since they are used in the MIPS64 architecture. Must be written as zero; returns zero on read.	0	0	Required

Table 4-1 MIPS® DSP ASE Control Register (*DSPControl*) Field Descriptions (Continued)

Fields		Description	Read/ Write	Reset State	Compliance
Name	Bits				
ccond	27:24	Condition code bits set after a compare instruction. This instruction will set the right-most bits as required by the number of elements in the vector compare. The bits not set by the instruction remain unchanged.	R/W	0	Required
ouflag	23:16	This field is written by hardware when certain instructions overflow or underflow and may have been saturated if the saturate flag was turned on. See Table 4-2 for a full list of which bits are set by what instructions.	R/W	0	Required
EFI	14	Extract Fail Indicator. This bit is set to 1 when an EXTP, EXTPV, EXTPDP, or EXTPDPV fails. These instructions fail when there are insufficient bits to extract, that is, the value of pos in <i>DSPControl</i> is less than the value of size specified in the instruction. This bit is not sticky, that is, each invocation of one of those four instructions will reset the bit depending on whether or not the instruction failed.	R/W	0	Required
c	13	Carry bit set and used by a special add instruction used to implement a 64-bit add across two GPRs. Instruction ADDSC sets the bit and instruction ADDWC uses this bit.	R/W	0	Required
scount	12:7	This field is for use by the INSV instruction. The value of this field is used to specify the size of the bit field to be inserted.	R/W	0	Required
pos	5:0	This field is used by the variable insert instructions INSV to specify the insert position. It is also used to indicate the extract position for the EXTP, EXTPV, EXTPDP, and EXTPDPV instructions. The decrement pos (DP) variants of these instructions on completion will have decremented the value of pos (by the size amount). The MTHLIP instruction will increment the pos value by 32 after copying the value of LO to HI.	R/W	0	Required
0	15:13	Must be written as zero; returns zero on read.	0	0	Reserved

The bits of the overflow flag *ouflag* field in the *DSPControl* register are set by a number of instructions. These bits are sticky and can be reset only by an explicit write to these bits in the register (using the WRDSP instruction). The table shows which bits can be set by which instructions and under what conditions.

Table 4-2 The Instructions that Set the ouflag bits in *DSPControl*

Bit Number	Which Instruction Sets this Bit
16	When the destination is accumulator (<i>HI-LO</i> pair) zero, and an operation overflow or underflow occurs, then this bit is set. Such instructions are: <i>DPAQ_S</i> , <i>DPSQ_S</i> , <i>MULSAQ_S</i> , <i>MAQ_S</i> .
17	Instructions as above, when the destination is accumulator (<i>HI-LO</i> pair) one.
18	Instructions as above, when the destination is accumulator (<i>HI-LO</i> pair) two.
19	Instructions as above, when the destination is accumulator (<i>HI-LO</i> pair) three.
20	Instructions that on a overflow/underflow will set this bit are: <i>ADDQ</i> , <i>ADDQ_S</i> , <i>SUBQ</i> , <i>SUBQ_S</i> , <i>ADDU</i> , <i>ADDU_S</i> , <i>SUBU</i> , <i>SUBU_S</i> , <i>ABSQ</i> , <i>ABSQ_S</i> , and <i>ADDWC</i> .
21	Instructions that on a overflow/underflow will set this bit are: <i>MULQ_RS</i> , <i>MULEQ_S</i> , and <i>MULEU_S</i> .
22	Instructions that on a overflow/underflow will set this bit are: <i>SHLL</i> , <i>SHLLV</i> , <i>SHLL_S</i> , <i>SHLLV_S</i> , <i>PRECRQU_S</i> , <i>PRECRQ_RS</i> .
23	Instructions that on a overflow/underflow will set this bit are: <i>EXTR</i> , <i>EXTL</i> , and variants.

4.2 Software Detection of the DSP ASE

In the *Config3* CP0 register, bit 10 (DSPP), “DSP Present” is a static bit used to indicate the presence of the MIPS DSP ASE in the 24KE core, as shown in [Section 7.2.23, "Config3 Register \(CP0 Register 16, Select 3\)"](#). Software may query the DSPP bit to check whether this processor has implemented the MIPS DSP ASE. The DSPP bit is a 1 on the 24KE core, since the DSP logic is always present.

Another bit, “DSP ASE Enable” bit 24 (MX) in the CP0 *Status* register, is a read/write bit used to enable access to the extra instructions defined by the DSP ASE as well as the MTLO/HI, MFLO/HI that access accumulators ac1, ac2, and ac3. The Status register is described in [Section 7.2.12, "Status Register \(CP0 Register 12, Select 0\)"](#). Executing a DSP ASE instruction or the flavor of Move instruction described above with this bit set to zero causes a DSP State Disabled Exception. This uses exception code 26 in the CP0 *Cause* register. This allows the OS to do lazy context-switching. [Table 7-22](#) shows the Cause Register exception code fields.

Memory Management of the 24KE™ Core

The 24KE™ processor core includes a Memory Management Unit (MMU) that interfaces between the execution unit and the cache controller. The core contains either a Translation Lookaside Buffer (TLB) or a simpler Fixed Mapping (FM) style MMU, specified as a build-time option when the core is implemented.

This chapter contains the following sections:

- [Section 5.1, "Introduction"](#)
- [Section 5.2, "Modes of Operation"](#)
- [Section 5.3, "Translation Lookaside Buffer"](#)
- [Section 5.4, "Virtual-to-Physical Address Translation"](#)
- [Section 5.5, "Fixed Mapping MMU"](#)
- [Section 5.6, "System Control Coprocessor"](#)

5.1 Introduction

The MMU in a 24KE processor core will translate any virtual address to a physical address before a request is sent to the cache controllers for tag comparison or to the bus interface unit for an external memory reference. This translation is a very useful feature for operating systems when trying to manage physical memory to accommodate multiple tasks active in the same memory, possibly on the same virtual address but of course in different locations in physical memory. Other features handled by the MMU are protection of memory areas and defining the cache protocol.

By default, the MMU is TLB based. The TLB consists of three address translation buffers: a 16/32/64 dual-entry fully associative Joint TLB (JTLB), a 4-entry instruction micro TLB (ITLB), and an 8-entry data micro TLB (DTLB). When an address is translated, the appropriate micro TLB (ITLB or DTLB) is accessed first. If the translation is not found in the micro TLB, the JTLB is accessed. If there is a miss in the JTLB, an exception is taken.

Optionally, the MMU can be based on a simple algorithm to translate virtual addresses into physical addresses via a Fixed Mapping (FM) mechanism. These translations are different for various regions of the virtual address space (useg/kuseg, kseg0, kseg1, kseg2/3).

[Figure 5-1](#) shows how the memory management unit interacts with cache accesses with a TLB, while [Figure 5-2](#) shows the equivalent for the FM MMU.

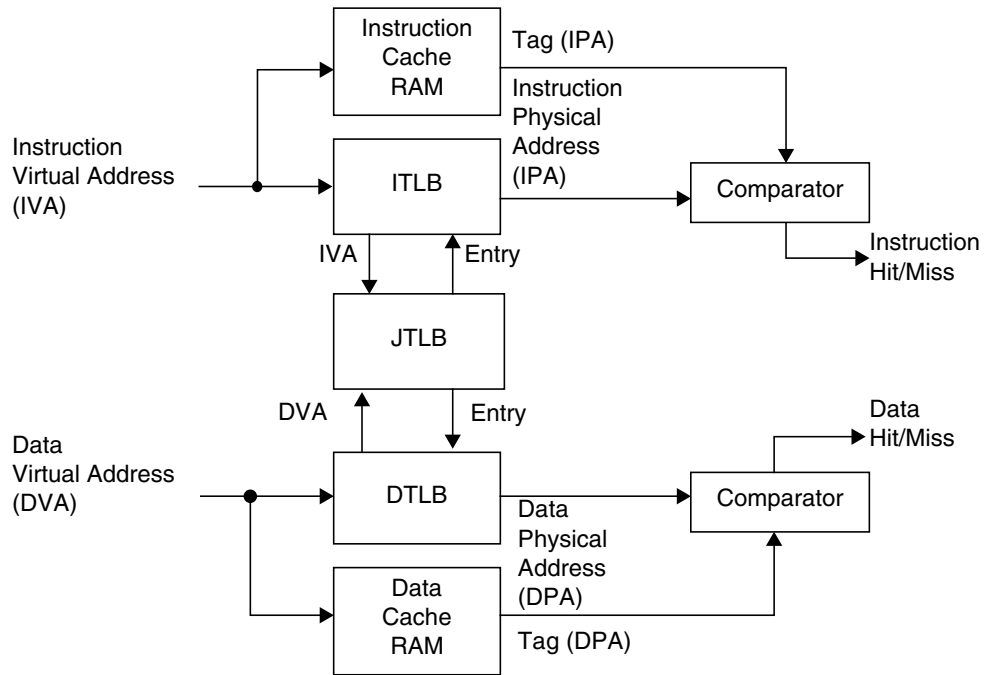


Figure 5-1 Address Translation During a Cache Access with TLB MMU

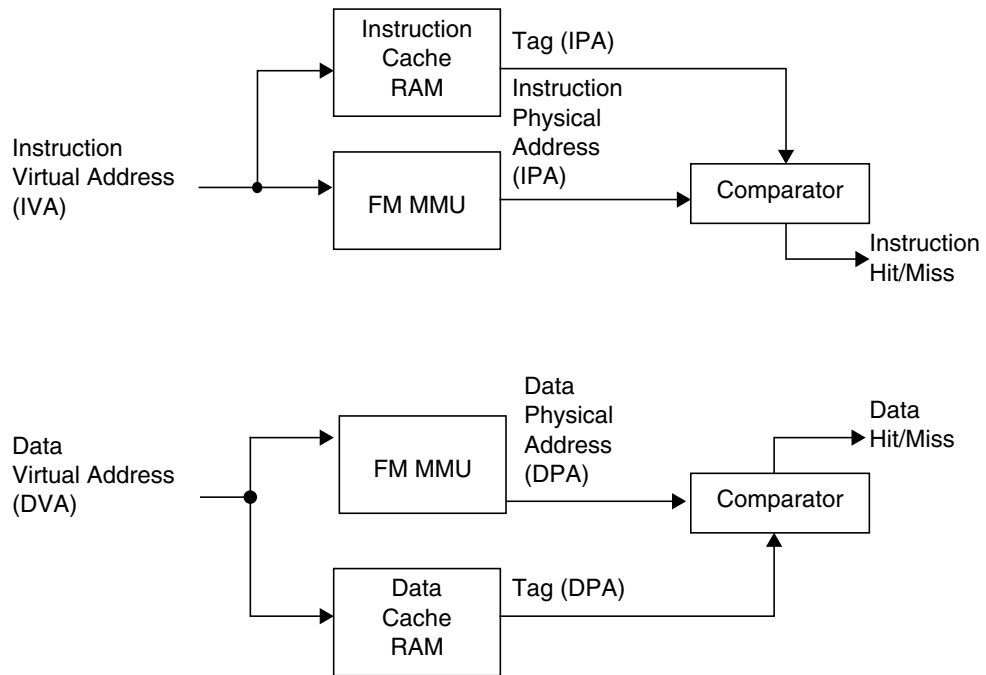


Figure 5-2 Address Translation During a Cache Access with FM MMU

5.2 Modes of Operation

A 24KE processor core supports four modes of operation:

- User mode
- Supervisor mode (only w/ TLB)
- Kernel mode
- Debug mode

User mode is most often used for application programs. Supervisor mode has an intermediate privilege level with access to an additional region of memory and is only supported with the TLB-based MMU. Kernel mode is typically used for handling exceptions and privileged operating system functions, including CP0 management and I/O device accesses. Debug mode is used for software debugging and most likely occurs within a software development tool.

The address translation performed by the MMU depends on the mode in which the processor is operating.

5.2.1 Virtual Memory Segments

The Virtual memory segments are different depending on the mode of operation. [Figure 5-3 on page 80](#) shows the segmentation for the 4 GByte (2^{32} bytes) virtual memory space addressed by a 32-bit virtual address, for the four modes of operation.

The core enters Kernel mode both at reset and when an exception is recognized. While in Kernel mode, software has access to the entire address space, as well as all CP0 registers. User mode accesses are limited to a subset of the virtual address space (0x0000_0000 to 0x7FFF_FFFF) and can be inhibited from accessing CP0 functions. In User mode, virtual addresses 0x8000_0000 to 0xFFFF_FFFF are invalid and cause an exception if accessed. Supervisor mode adds access to sseg (0xC000_0000 to 0xDFFF_FFFF). kseg0, kseg1, and kseg3 will still cause exceptions if they are accessed.

Debug mode is entered on a debug exception. While in Debug mode, the debug software has access to the same address space and CP0 registers as for Kernel mode. In addition, while in Debug mode the core has access to the debug segment dseg. This area overlays part of the kernel segment kseg3. dseg access in Debug mode can be turned on or off, allowing full access to the entire kseg3 in Debug mode, if so desired.

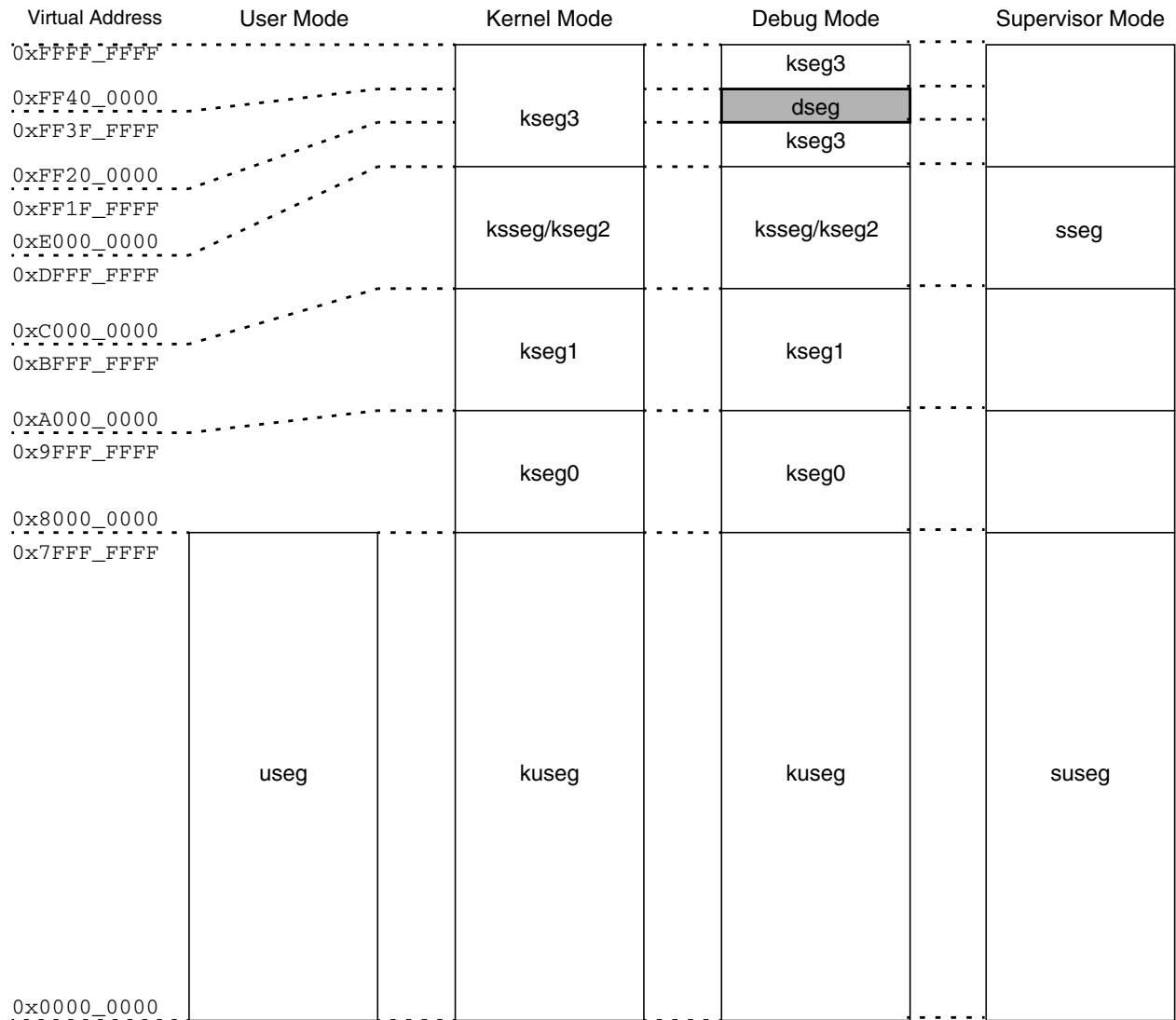


Figure 5-3 24KE™ processor core Virtual Memory Map.

Each of the segments shown in [Figure 5-3 on page 80](#) are either mapped or unmapped. The following two sub-sections explain the distinction. Then sections [Section 5.2.2, "User Mode"](#), [Section 5.2.4, "Kernel Mode"](#) and [Section 5.2.5, "Debug Mode"](#) specify which segments are actually mapped and unmapped.

5.2.1.1 Unmapped Segments

An unmapped segment does not use the TLB or the FM to translate from virtual-to-physical addresses. Especially after reset, it is important to have unmapped memory segments, because the TLB is not yet programmed to perform the translation.

Unmapped segments have a fixed simple translation from virtual to physical address. This is much like the translations the FM provides for the core, but we will still make the distinction.

Except for kseg0, unmapped segments are always uncached. The cacheability of kseg0 is set in the K0 field of the CP0 register Config (see [Section 7.2.20, "Config Register \(CP0 Register 16, Select 0\)"](#)).

5.2.1.2 Mapped Segments

A mapped segment does use the TLB or the FM to translate from virtual-to-physical addresses.

For the core with TLB, the translation of mapped segments is handled on a per-page basis. Included in this translation is information defining whether the page is cacheable or not, and the protection attributes that apply to the page.

For the core with the FM MMU, the mapped segments have a fixed translation from virtual to physical address. The cacheability of the segment is defined in the CP0 register Config, fields K23 and KU (see [Section 7.2.20, "Config Register \(CP0 Register 16, Select 0\)"](#)). Write protection of segments is not possible during FM translation.

5.2.2 User Mode

In user mode, a single 2 GByte (2^{31} bytes) uniform virtual address space called the user segment (useg) is available. [Figure 5-4 on page 81](#) shows the location of user mode virtual address space.

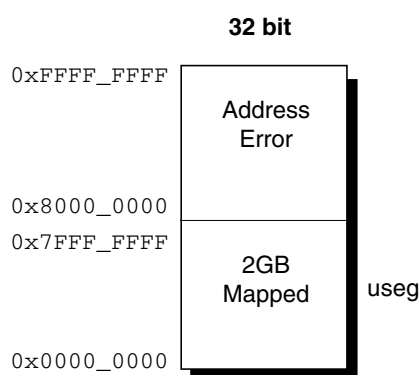


Figure 5-4 User Mode Virtual Address Space

The user segment starts at address 0x0000_0000 and ends at address 0x7FFF_FFFF. Accesses to all other addresses cause an address error exception.

The processor operates in User mode when the *Status* register contains the following bit values:

- KSU = 2#10
- EXL = 0
- ERL = 0

In addition to the above values, the DM bit in the *Debug* register must be 0.

[Table 5-1](#) lists the characteristics of the User mode segment.

Table 5-1 User Mode Segments

Address Bit Value	Status Register			Segment Name	Address Range	Segment Size
	Bit Value					
	EXL	ERL	KSU			
32-bit A(31) = 0	0	0	2#10	useg	0x0000_0000 --> 0x7FFF_FFFF	2 GByte (2^{31} bytes)

All valid user mode virtual addresses have their most significant bit cleared to 0, indicating that user mode can only access the lower half of the virtual memory map. Any attempt to reference an address with the most significant bit set while in user mode causes an address error exception.

The system maps all references to *useg* through the TLB or FM. For cores with a TLB, the virtual address is extended with the contents of the 8-bit ASID field to form a unique virtual address before translation. Also bit settings within the TLB entry for the page determine the cacheability of a reference. For FM MMU cores, the cacheability is set via the KU field of the CPO Config register.

5.2.3 Supervisor Mode

In supervisor mode, two virtual address spaces are available. A 2 GByte (2^{31} bytes) uniform virtual address space called the user segment (*useg*) as well as the 512MB (*ksseg*) are available. [Figure 5-5 on page 82](#) shows the location of supervisor mode virtual address space.

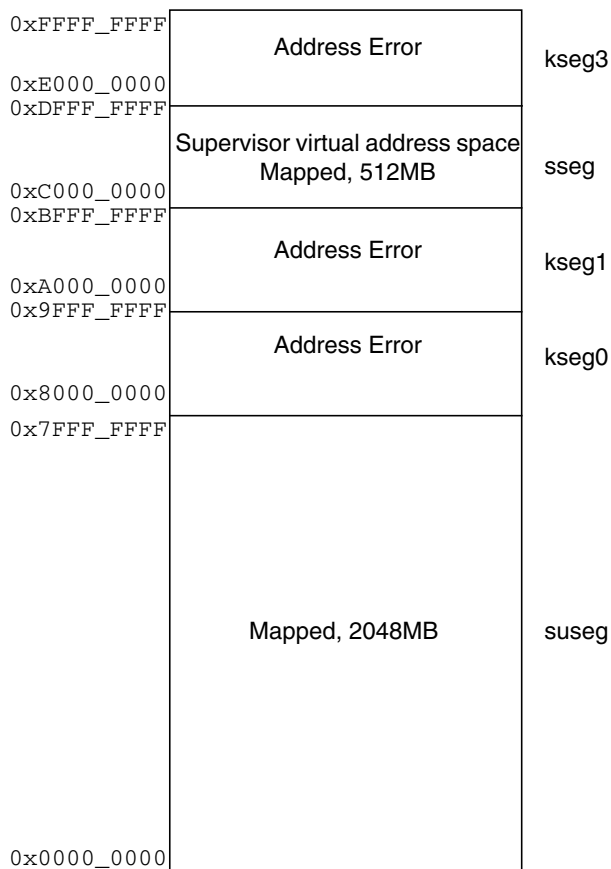


Figure 5-5 Supervisor Mode Virtual Address Space

The user segment starts at address 0x0000_0000 and ends at address 0x7FFF_FFFF. The supervisor segment begins at 0xC000_0000 and ends at 0xDFFF_FFFF. Accesses to all other addresses cause an address error exception.

The processor operates in Supervisor mode when the *Status* register contains the following bit values:

- KSU = 2#01
- EXL = 0
- ERL = 0

In addition to the above values, the DM bit in the *Debug* register must be 0.

Table 5-1 lists the characteristics of the Supervisor mode segments.

Table 5-2 Supervisor Mode Segments

Address Bit Value	Status Register			Segment Name	Address Range	Segment Size
	Bit Value					
	EXL	ERL	KSU			
32-bit A(31) = 0	0	0	2#01	suseg	0x0000_0000 --> 0x7FFF_FFFF	2 GByte (2 ³¹ bytes)
32-bit A(31:29) = 110 ₂	0	0	2#01	sseg	0xC000_0000 -> 0xDFFF_FFFF	512MB (2 ²⁹ bytes)

The system maps all references to *useg* and *ksseg* through the TLB or FM. For cores with a TLB, the virtual address is extended with the contents of the 8-bit ASID field to form a unique virtual address before translation. Also bit settings within the TLB entry for the page determine the cacheability of a reference. For FM MMU cores, the cacheability of *useg* and *ksseg* is set via the KU and K23 fields of the CP0 Config register respectively.

5.2.4 Kernel Mode

The processor operates in Kernel mode when the DM bit in the *Debug* register is 0 and the *Status* register contains one or more of the following values:

- KSU = 2#00
- ERL = 1
- EXL = 1

When a non-debug exception is detected, EXL or ERL will be set and the processor will enter Kernel mode. At the end of the exception handler routine, an Exception Return (ERET) instruction is generally executed. The ERET instruction jumps to the Exception PC, clears ERL, and clears EXL if ERL=0. This may return the processor to User mode.

Kernel mode virtual address space is divided into regions differentiated by the high-order bits of the virtual address, as shown in Figure 5-6 on page 84. Also, Table 5-3 lists the characteristics of the Kernel mode segments.

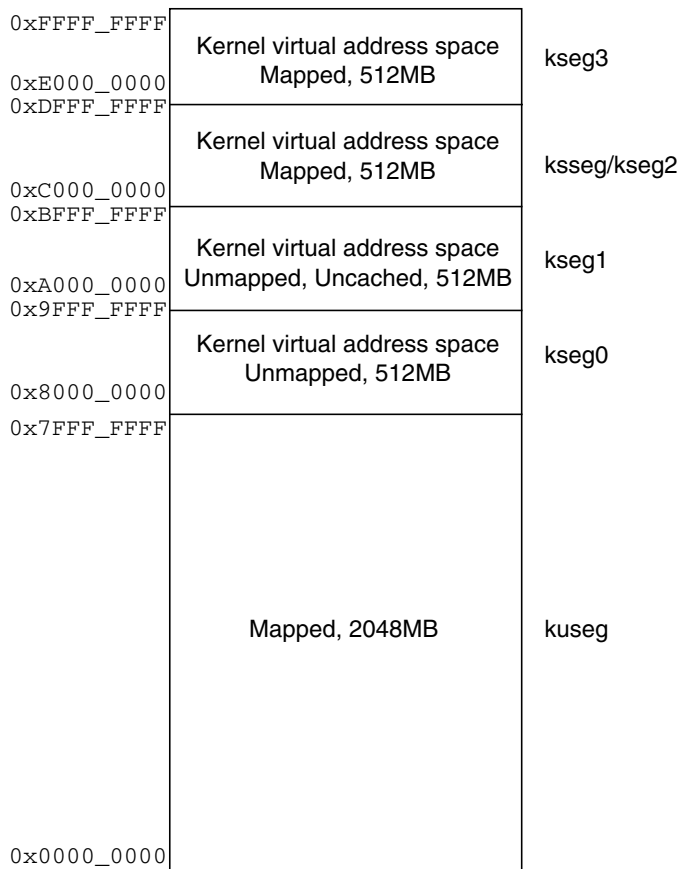


Figure 5-6 Kernel Mode Virtual Address Space

Table 5-3 Kernel Mode Segments

Address Bit Values	Status Register Is One of These Values			Segment Name	Address Range	Segment Size
	KSU	EXL	ERL			
A(31) = 0	(KSU = 00 ₂ or EXL = 1 or ERL = 1) and DM = 0			kuseg	0x0000_0000 through 0x7FFF_FFFF	2 GBytes (2 ³¹ bytes)
A(31:29) = 100 ₂				kseg0	0x8000_0000 through 0x9FFF_FFFF	512 MBytes (2 ²⁹ bytes)
A(31:29) = 101 ₂				kseg1	0xA000_0000 through 0xBFFF_FFFF	512 MBytes (2 ²⁹ bytes)
A(31:29) = 110 ₂				ksseg/kseg ₂	0xC000_0000 through 0xDFFF_FFFF	512 MBytes (2 ²⁹ bytes)
A(31:29) = 111 ₂				kseg3	0xE000_0000 through 0xFFFF_FFFF	512 MBytes (2 ²⁹ bytes)

5.2.4.1 Kernel Mode, User Space (kuseg)

In Kernel mode, when the most-significant bit of the virtual address (A31) is cleared, the 32-bit kuseg virtual address space is selected and covers the full 2^{31} bytes (2 GBytes) of the current user address space mapped to addresses 0x0000_0000 - 0x7FFF_FFFF. For cores with TLBs, the virtual address is extended with the contents of the 8-bit ASID field to form a unique virtual address.

When ERL = 1 in the *Status* register, the user address region becomes a 2^{31} -byte unmapped and uncached address space. While in this setting, the kuseg virtual address maps directly to the same physical address, and does not include the ASID field.

5.2.4.2 Kernel Mode, Kernel Space 0 (kseg0)

In Kernel mode, when the most-significant three bits of the virtual address are 100_2 , 32-bit kseg0 virtual address space is selected; it is the 2^{29} -byte (512-MByte) kernel virtual space located at addresses 0x8000_0000 - 0x9FFF_FFFF. References to kseg0 are unmapped; the physical address selected is defined by subtracting 0x8000_0000 from the virtual address. The K0 field of the *Config* register controls cacheability.

5.2.4.3 Kernel Mode, Kernel Space 1 (kseg1)

In Kernel mode, when the most-significant three bits of the 32-bit virtual address are 101_2 , 32-bit kseg1 virtual address space is selected. kseg1 is the 2^{29} -byte (512-MByte) kernel virtual space located at addresses 0xA000_0000 - 0xBFFF_FFFF. References to kseg1 are unmapped; the physical address selected is defined by subtracting 0xA000_0000 from the virtual address. Caches are disabled for accesses to these addresses, and physical memory (or memory-mapped I/O device registers) are accessed directly.

5.2.4.4 Kernel Mode, Kernel/Supervisor Space 2 (ksseg/kseg2)

In Kernel mode, when KSU = 00_2 , ERL = 1, or EXL = 1 in the *Status* register, and DM = 0 in the *Debug* register, and the most-significant three bits of the 32-bit virtual address are 110_2 , 32-bit kseg2 virtual address space is selected. With the FM MMU, this 2^{29} -byte (512-MByte) kernel virtual space is located at physical addresses 0xC000_0000 - 0xDFFF_FFFF. Otherwise, this space is mapped through the TLB.

5.2.4.5 Kernel Mode, Kernel Space 3 (kseg3)

In Kernel mode, when the most-significant three bits of the 32-bit virtual address are 111_2 , the kseg3 virtual address space is selected. With the FM MMU, this 2^{29} -byte (512-MByte) kernel virtual space is located at physical addresses 0xE000_0000 - 0xFFFF_FFFF. Otherwise, this space is mapped through the TLB.

5.2.5 Debug Mode

Debug mode address space is identical to Kernel mode address space with respect to mapped and unmapped areas, except for *kseg3*. In *kseg3*, a debug segment *dseg* co-exists in the virtual address range 0xFF20_0000 to 0xFF3F_FFFF. The layout is shown in [Figure 5-7 on page 86](#).

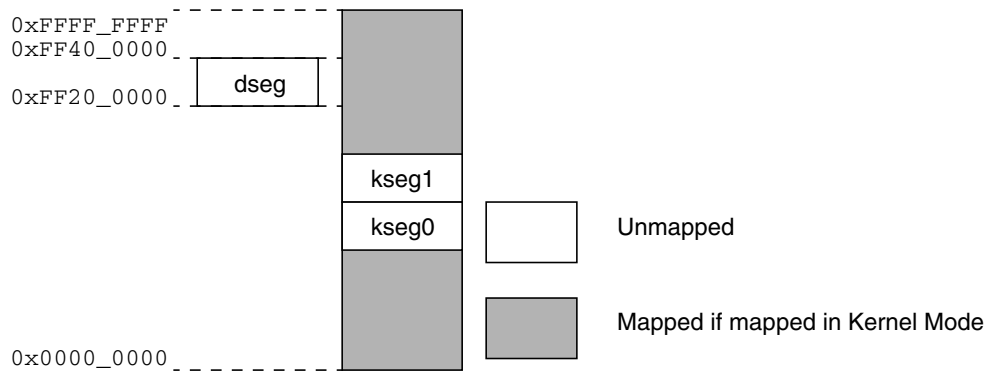


Figure 5-7 Debug Mode Virtual Address Space

The dseg is sub-divided into the dmseg segment at 0xFF20_0000 to 0xFF2F_FFFF which is used when the probe services the memory segment, and the drseg segment at 0xFF30_0000 to 0xFF3F_FFFF which is used when memory-mapped debug registers are accessed. The subdivision and attributes for the segments are shown in Table 5-4.

Accesses to memory that would normally cause an exception if tried from kernel mode cause the core to re-enter debug mode via a debug mode exception. This includes accesses usually causing a TLB exception, with the result that such accesses are not handled by the usual memory management routines.

The unmapped kseg0 and kseg1 segments from kernel mode address space are available from debug mode, which allows the debug handler to be executed from uncached and unmapped memory.

Table 5-4 Physical Address and Cache Attributes for dseg, dmseg, and drseg Address Spaces

Segment Name	Sub-Segment Name	Virtual Address	Generates Physical Address	Cache Attribute
dseg	dmseg	0xFF20_0000 through 0xFF2F_FFFF	dmseg maps to addresses 0x0_0000 - 0xF_FFFF in EJTAG probe memory space.	Uncached
	drseg	0xFF30_0000 through 0xFF3F_FFFF	drseg maps to the breakpoint registers 0x0_0000 - 0xF_FFFF	

5.2.5.1 Conditions and Behavior for Access to drseg, EJTAG Registers

The behavior of CPU access to the drseg address range at 0xFF30_0000 to 0xFF3F_FFFF is determined as shown in Table 5-5

Table 5-5 CPU Access to drseg Address Range

Transaction	LSNM bit in Debug register	Access
Load / Store	1	Kernel mode address space (kseg3)
Fetch	Don't care	drseg, see comments below
Load / Store	0	

Debug software is expected to read the debug control register (DCR) to determine which other memory mapped registers exist in drseg. The value returned in response to a read of any unimplemented memory mapped register is unpredictable, and writes are ignored to any unimplemented register in the drseg. Refer to [Chapter 11, “EJTAG Debug Support in the 24KE™ Core,”](#) for more information on the DCR.

The allowed access size is limited for the drseg. Only word size transactions are allowed. Operation of the processor is undefined for other transaction sizes.

5.2.5.2 Conditions and Behavior for Access to dmseg, EJTAG Memory

The behavior of CPU access to the dmseg address range at 0xFF20_0000 to 0xFF2F_FFFF is determined by the table shown in [Table 5-6](#)

Table 5-6 CPU Access to dmseg Address Range

Transaction	ProbEn bit in DCR register	LSNM bit in Debug register	Access
Load / Store	Don't care	1	Kernel mode address space (kseg3)
Fetch	1	Don't care	dmseg
Load / Store	1	0	
Fetch	0	Don't care	See comments below
Load / Store	0	0	

The case with access to the dmseg when the ProbEn bit in the DCR register is 0 is not expected to happen. Debug software is expected to check the state of the ProbEn bit in DCR register before attempting to reference dmseg. If such a reference does happen, the reference hangs until it is satisfied by the probe. The probe can not assume that there will never be a reference to dmseg if the ProbEn bit in the DCR register is 0 because there is an inherent race between the debug software sampling the ProbEn bit as 1 and the probe clearing it to 0.

5.3 Translation Lookaside Buffer

The following subsections discuss the TLB memory management scheme used in the 24KEc processor core. The TLB consists of one joint and two micro address translation buffers:

- 16-64 dual-entry fully associative Joint TLB (JTLB)
- 4-entry fully associative Instruction micro TLB (ITLB)
- 8-entry fully associative Data micro TLB (DTLB)

5.3.1 Joint TLB

The 24KE core implements a 16-64 dual-entry, fully associative Joint TLB that maps 32-128 virtual pages to their corresponding physical addresses. The purpose of the TLB is to translate virtual addresses and their corresponding ASID into a physical memory address. The translation is performed by comparing the upper bits of the virtual address (along with the ASID bits) against each of the entries in the *tag* portion of the JTLB structure. Because this structure is used to translate both instruction and data virtual addresses, it is referred to as a “joint” TLB.

The JTLB is organized as 16-64 pairs of even and odd entries containing descriptions of pages that range in size from 4-KBytes to 256MBytes into the 4-GByte physical address space.

The JTLB is organized in pairs of page entries to minimize its overall size. Each virtual *tag* entry corresponds to two physical data entries, an even page entry and an odd page entry. The highest order virtual address bit not participating in the tag comparison is used to determine which of the two data entries is used. Since page size can vary on a page-pair basis, the determination of which address bits participate in the comparison and which bit is used to make the even-odd selection must be done dynamically during the TLB lookup.

Figure 5-8 on page 88 shows the contents of one of the dual-entries in the JTLB. The bit range indication in the figure serves to clarify which address bits are (or may be) affected during the translation process.

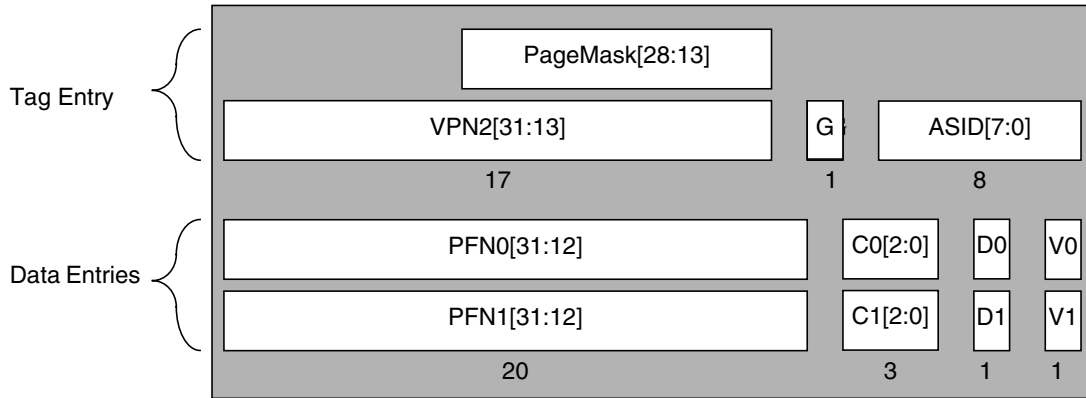


Figure 5-8 JTLB Entry (Tag and Data)

Table 5-7 and Table 5-8 explain each of the fields in a JTLB entry.

Table 5-7 TLB Tag Entry Fields

Field Name	Description																														
PageMask[28:13]	<p>Page Mask Value. The Page Mask defines the page size by masking the appropriate VPN2 bits from being involved in a comparison. It is also used to determine which address bit is used to make the even-odd page (PFN0-PFN1) determination. See the table below.</p> <table border="1"> <thead> <tr> <th>PageMask</th> <th>Page Size</th> <th>Even/Odd Bank Select Bit</th> </tr> </thead> <tbody> <tr> <td>00_0000_0000_0000_00</td> <td>4KB</td> <td>VAddr[12]</td> </tr> <tr> <td>00_0000_0000_0000_11</td> <td>16KB</td> <td>VAddr[14]</td> </tr> <tr> <td>00_0000_0000_0011_11</td> <td>64KB</td> <td>VAddr[16]</td> </tr> <tr> <td>00_0000_0000_1111_11</td> <td>256KB</td> <td>VAddr[18]</td> </tr> <tr> <td>00_0000_0011_1111_11</td> <td>1MB</td> <td>VAddr[20]</td> </tr> <tr> <td>00_0000_1111_1111_11</td> <td>4MB</td> <td>VAddr[22]</td> </tr> <tr> <td>00_0011_1111_1111_11</td> <td>16MB</td> <td>VAddr[24]</td> </tr> <tr> <td>00_1111_1111_1111_11</td> <td>64MB</td> <td>VAddr[26]</td> </tr> <tr> <td>11_1111_1111_1111_11</td> <td>256MB</td> <td>VAddr[28]</td> </tr> </tbody> </table> <p>The PageMask column above shows all the legal values for PageMask. Because each pair of bits can only have the same value, the physical entry in the JTLB will only save a compressed version of the PageMask using only 8 bits. This is however transparent to software, which will always work with a 16 bit field</p>	PageMask	Page Size	Even/Odd Bank Select Bit	00_0000_0000_0000_00	4KB	VAddr[12]	00_0000_0000_0000_11	16KB	VAddr[14]	00_0000_0000_0011_11	64KB	VAddr[16]	00_0000_0000_1111_11	256KB	VAddr[18]	00_0000_0011_1111_11	1MB	VAddr[20]	00_0000_1111_1111_11	4MB	VAddr[22]	00_0011_1111_1111_11	16MB	VAddr[24]	00_1111_1111_1111_11	64MB	VAddr[26]	11_1111_1111_1111_11	256MB	VAddr[28]
PageMask	Page Size	Even/Odd Bank Select Bit																													
00_0000_0000_0000_00	4KB	VAddr[12]																													
00_0000_0000_0000_11	16KB	VAddr[14]																													
00_0000_0000_0011_11	64KB	VAddr[16]																													
00_0000_0000_1111_11	256KB	VAddr[18]																													
00_0000_0011_1111_11	1MB	VAddr[20]																													
00_0000_1111_1111_11	4MB	VAddr[22]																													
00_0011_1111_1111_11	16MB	VAddr[24]																													
00_1111_1111_1111_11	64MB	VAddr[26]																													
11_1111_1111_1111_11	256MB	VAddr[28]																													

Table 5-7 TLB Tag Entry Fields (Continued)

Field Name	Description
VPN2[31:13]	Virtual Page Number divided by 2. This field contains the upper bits of the virtual page number. Because it represents a pair of TLB pages, it is divided by 2. Bits 31:29 are always included in the TLB lookup comparison. Bits 28:13 are included depending on the page size, defined by PageMask
G	Global Bit. When set, indicates that this entry is global to all processes and/or threads and thus disables inclusion of the ASID in the comparison.
ASID[7:0]	Address Space Identifier. Identifies which process or thread this TLB entry is associated with.

Table 5-8 TLB Data Entry Fields

Field Name	Description														
PFN0[31:12], PFN1[31:12]	Physical Frame Number. Defines the upper bits of the physical address.														
C0[2:0], C1[2:0]	Cacheability. Contains an encoded value of the cacheability attributes and determines whether the page should be placed in the cache or not. The field is encoded as follows: <table border="1" data-bbox="695 814 1230 1134"> <thead> <tr> <th>C[2:0]</th> <th>Coherency Attribute</th> </tr> </thead> <tbody> <tr> <td>0</td> <td>Cacheable, noncoherent, write-through, no write-allocate</td> </tr> <tr> <td>1</td> <td>Reserved</td> </tr> <tr> <td>2</td> <td>Uncached</td> </tr> <tr> <td>3</td> <td>Cacheable, noncoherent, write-back, write-allocate</td> </tr> <tr> <td>4-6</td> <td>Reserved</td> </tr> <tr> <td>7</td> <td>Uncached Accelerated</td> </tr> </tbody> </table>	C[2:0]	Coherency Attribute	0	Cacheable, noncoherent, write-through, no write-allocate	1	Reserved	2	Uncached	3	Cacheable, noncoherent, write-back, write-allocate	4-6	Reserved	7	Uncached Accelerated
C[2:0]	Coherency Attribute														
0	Cacheable, noncoherent, write-through, no write-allocate														
1	Reserved														
2	Uncached														
3	Cacheable, noncoherent, write-back, write-allocate														
4-6	Reserved														
7	Uncached Accelerated														
D0, D1	“Dirty” or Write-enable Bit. Indicates that the page has been written and/or is writable. If this bit is set, stores to the page are permitted. If the bit is cleared, stores to the page cause a TLB Modified exception.														
V0, V1	Valid Bit. Indicates that the TLB entry and, thus, the virtual page mapping are valid. If this bit is set, accesses to the page are permitted. If the bit is cleared, accesses to the page cause a TLB Invalid exception.														

In order to fill an entry in the JTLB, software executes a TLBWI or TLBWR instruction (See [Section 5.4.3, "TLB Instructions" on page 94](#)). Prior to invoking one of these instructions, several CP0 registers must be updated with the information to be written to a TLB entry:

- PageMask is set in the CP0 *PageMask* register.
- VPN2, and ASID are set in the CP0 *EntryHi* register.
- PFN0, C0, D0, V0, and G bits are set in the CP0 *EntryLo0* register.
- PFN1, C1, D1, V1, and G bits are set in the CP0 *EntryLo1* register.

Note that the global bit “G” is part of both *EntryLo0* and *EntryLo1*. The resulting “G” bit in the JTLB entry is the logical AND between the two fields in *EntryLo0* and *EntryLo1*. Please refer to Chapter 7, “CPO Registers of the 24KE™ Core,” for further details.

The address space identifier (ASID) helps to reduce the frequency of TLB flushing on a context switch. The existence of the ASID allows multiple processes to exist in both the TLB and instruction caches. The ASID value is stored in the *EntryHi* register and is compared to the ASID value of each entry.

5.3.2 Instruction TLB

The ITLB is a small 4-entry, fully associative TLB dedicated to perform translations for the instruction stream. The ITLB only maps 4-Kbyte pages/sub-pages or 1-Mbyte pages/sub-pages.

The ITLB is managed by hardware and is transparent to software. If a fetch address cannot be translated by the ITLB, the JTLB is accessed trying to translate it in the following clock cycles. If successful, the translation information is copied into the ITLB and bypassed to the tag comparators. This results in an ITLB miss penalty of at least 2 cycles. Depending on the JTLB implementation or if it is busy with other operations, it may take additional cycles.

5.3.3 Data TLB

The DTLB is a small 8-entry, fully associative TLB which provides a faster translation for Load/Store addresses than is possible with the JTLB. The DTLB only maps 4-Kbyte pages/sub-pages or 1-Mbyte pages/sub-pages.

Like the ITLB, the DTLB is managed by hardware and is transparent to software. For simultaneous ITLB and DTLB misses, the DTLB has priority and will access the JTLB first.

5.4 Virtual-to-Physical Address Translation

Converting a virtual address to a physical address begins by comparing the virtual address from the processor with the virtual addresses in the TLB. There is a match when the VPN of the address is the same as the VPN field of the entry, and either:

- The Global (G) bit of both the even and odd pages of the TLB entry are set, or
- The ASID field of the virtual address is the same as the ASID field of the TLB entry

This match is referred to as a TLB *hit*. If there is no match, a TLB *miss* exception is taken by the processor and software is allowed to refill the TLB from a page table of virtual/physical addresses in memory.

Figure 5-9 on page 91 shows the logical translation of a virtual address into a physical address.

In this figure the virtual address is extended with an 8-bit ASID, which reduces the frequency of TLB flushing during a context switch. This 8-bit ASID contains the number assigned to that process and is stored in the CPO *EntryHi* register.

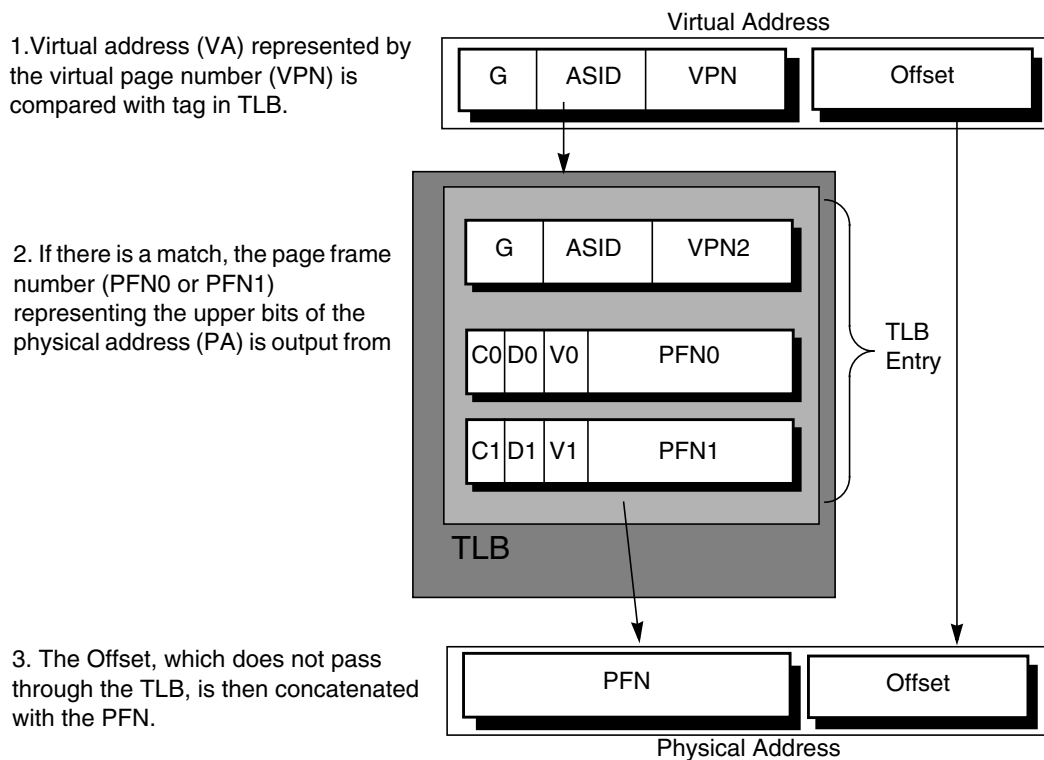


Figure 5-9 Overview of a Virtual-to-Physical Address Translation

If there is a virtual address match in the TLB, the Physical Frame Number (PFN) is output from the TLB and concatenated with the *Offset*, to form the physical address. The *Offset* represents an address within the page frame space. As shown in [Figure 5-9 on page 91](#), the *Offset* does not pass through the TLB. [Figure 5-10 on page 92](#) shows a flow diagram of the address translation process for two page sizes. The top portion of the figure shows a virtual address for a 4 KByte page size. The width of the *Offset* is defined by the page size. The remaining 20 bits of the address represent the virtual page number (VPN). The bottom portion of [Figure 5-10 on page 92](#) shows the virtual address for a 16 MByte page size. The remaining 8 bits of the address represent the VPN.

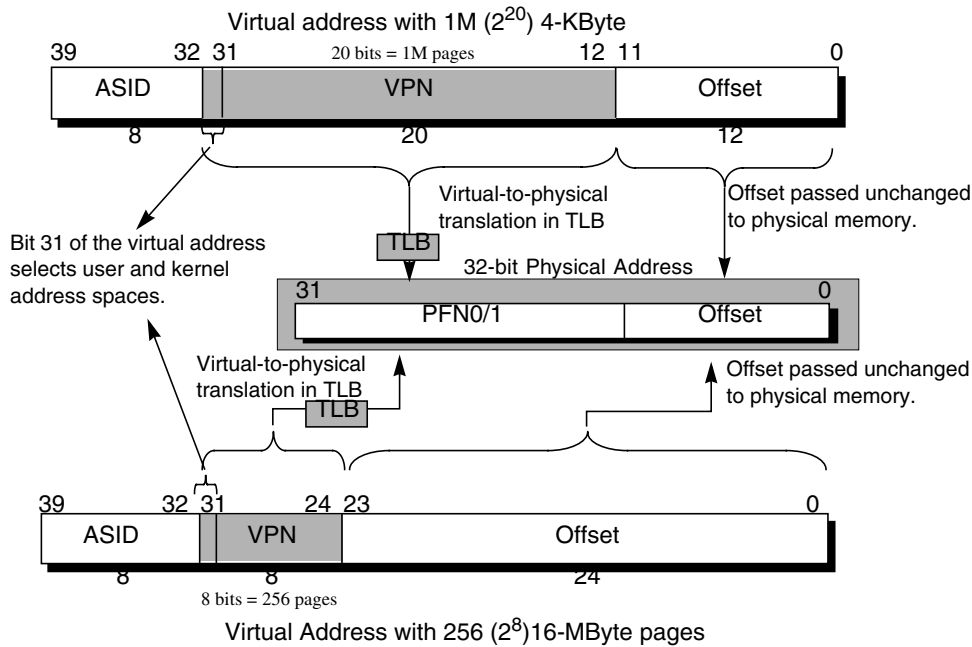


Figure 5-10 32-bit Virtual Address Translation

5.4.1 Hits, Misses, and Multiple Matches

Each JTLB entry contains a tag and two data fields. If a match is found, the upper bits of the virtual address are replaced with the page frame number (PFN) stored in the corresponding entry in the data array of the JTLB. The granularity of JTLB mappings is defined in terms of TLB pages. The JTLB supports pages of different sizes ranging from 4KB to 256 MB in powers of 4. If a match is found, but the entry is invalid (i.e., the V bit in the data field is 0), a TLB Invalid exception is taken.

If no match occurs (TLB miss), an exception is taken and software refills the TLB from the page table resident in memory. [Figure 5-11 on page 94](#) shows the translation and exception flow of the TLB.

Software can write over a selected TLB entry or use a hardware mechanism to write into a random entry. The *Random* register selects which TLB entry to use on a TLBWR. This register decrements almost every cycle, wrapping to the maximum once its value is equal to the *Wired* register. Thus, TLB entries below the *Wired* value cannot be replaced by a TLBWR allowing important mappings to be preserved. In order to reduce the possibility for a livelock situation, the *Random* register includes a 10-bit LFSR that introduces a pseudo-random perturbation into the decrement.

The core implements a TLB write-compare mechanism to ensure that multiple TLB matches do not occur. On the TLB write operation, the VPN2 field to be written is compared with all other entries in the TLB. If a match occurs, the entry in the TLB is valid, and the entry being written is valid, the core takes a machine-check exception, sets the TS bit in the CP0 *Status* register, and aborts the write operation. For further details on exceptions, please refer to [Chapter 6, “,” on page 99](#). There is a hidden bit in each TLB entry that is cleared on a Reset. This bit is set once the TLB entry is written and is included in the match detection. Therefore, uninitialized TLB entries will not cause a TLB shutdown.

Compared with previous cores from MIPS Technologies, the 24KE core uses a more relaxed check for multiple matches in order to avoid machine check exceptions while flushing or initializing the TLB. On a write, all matching entries are disabled to prevent them from matching on future compares. A machine check is only signaled if the entry being written

has its valid bit set, the matching entry in the TLB has its valid bit set, and the matching entry is not the entry being written. The cases for the signalling of the machine check exception are enumerated in [Table 5-9 on page 93](#).

Table 5-9 Machine Check Exception

Existing Match	Matching Entry equals Written Entry	Existing Page ValidBit	Written Page Valid Bit	Machine Check?
No	X	X	X	No
Yes	Yes	X	X	No
Yes	No	0	0	No
Yes	No	0	1	No
Yes	No	1	0	No
Yes	No	1	1	Yes

5.4.2 Memory Space

To assist in controlling both the amount of mapped space and the replacement characteristics of various memory regions, the 24KE core provides two mechanisms.

5.4.2.1 Page Sizes

First, the page size can be configured, on a per entry basis, to map different page sizes ranging from 4 KByte to 256 MByte, in multiples of 4. The CP0 *PageMask* register is loaded with the desired page size, which is then entered into the TLB when a new entry is written. Thus, operating systems can provide special-purpose maps. For example, a typical frame buffer can be memory mapped with only one TLB entry.

The 24KE core implements the following page sizes:

4K, 16K, 64K, 256K, 1M, 4M, 16M, 64M, 256M.

Software may determine which page sizes are supported by writing all ones to the CP0 *PageMask* register, then reading the value back. For additional information, see [Section 7.2.5, "PageMask Register \(CP0 Register 5, Select 0\)" on page 144](#).

5.4.2.2 Replacement Algorithm

The second mechanism controls the replacement algorithm when a TLB miss occurs. To select a TLB entry to be written with a new mapping, the 24KE core provides a random replacement algorithm. However, the processor also provides a mechanism whereby a programmable number of mappings can be locked into the TLB via the CP0 *Wired* register, thus avoiding random replacement. Please refer to [Section 7.2.6, "Wired Register \(CP0 Register 6, Select 0\)" on page 145](#) for further details.

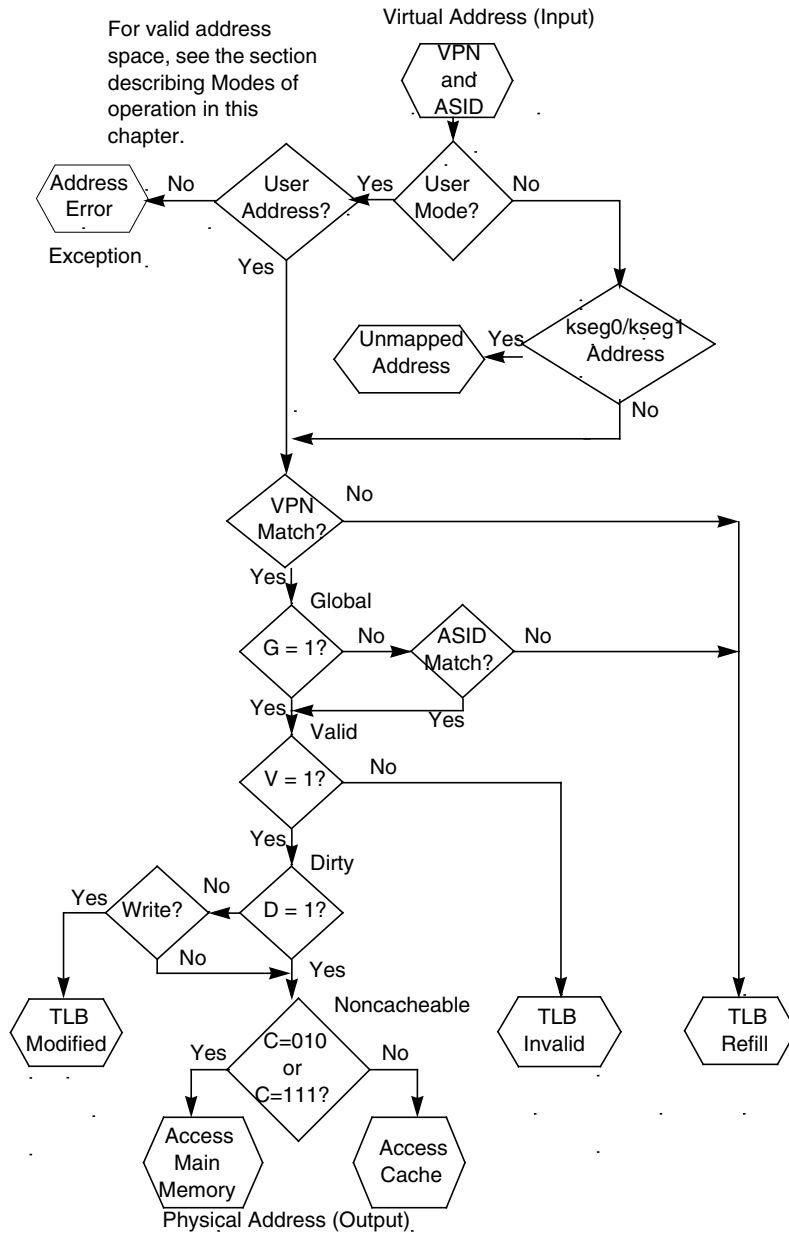


Figure 5-11 TLB Address Translation Flow in the 24KE™ Processor Core

5.4.3 TLB Instructions

Table 5-10 lists the TLB-related instructions. Refer to Chapter 13, “24KE™ Processor Core Instructions,” on page 299 for more information on these instructions.

Table 5-10 TLB Instructions

Op Code	Description of Instruction
TLBP	Translation Lookaside Buffer Probe
TLBR	Translation Lookaside Buffer Read
TLBWI	Translation Lookaside Buffer Write Index

Table 5-10 TLB Instructions

Op Code	Description of Instruction
TLBWR	Translation Lookaside Buffer Write Random

5.5 Fixed Mapping MMU

The 24KE core optionally implements a simple Fixed Mapping (FM) memory management unit that is smaller than the a full translation lookaside buffer (TLB) and more easily synthesized. Like a TLB, the FM performs virtual-to-physical address translation and provides attributes for the different memory segments. Those memory segments which are unmapped in a TLB implementation (kseg0 and kseg1) are translated identically by the FM MMU.

The FM also determines the cacheability of each segment. These attributes are controlled via bits in the *Config* register. [Table 5-11](#) shows the encoding for the K23 (bits 30:28), KU (bits 27:25) and K0 (bits 2:0) of the *Config* register.

Table 5-11 Cache Coherency Attributes

Config Register Fields K23, KU, and K0	Cache Coherency Attribute
0	Cacheable, noncoherent, write-through, no write-allocate
1	Reserved
2	Uncached
3	Cacheable, noncoherent, write-back, write-allocate
4	Reserved
5	Reserved
6	Reserved
7	Uncached Accelerated

With the FM MMU, no translation exceptions can be taken, although address errors are still possible.

Table 5-12 Cacheability of Segments with Fixed Mapping Translation

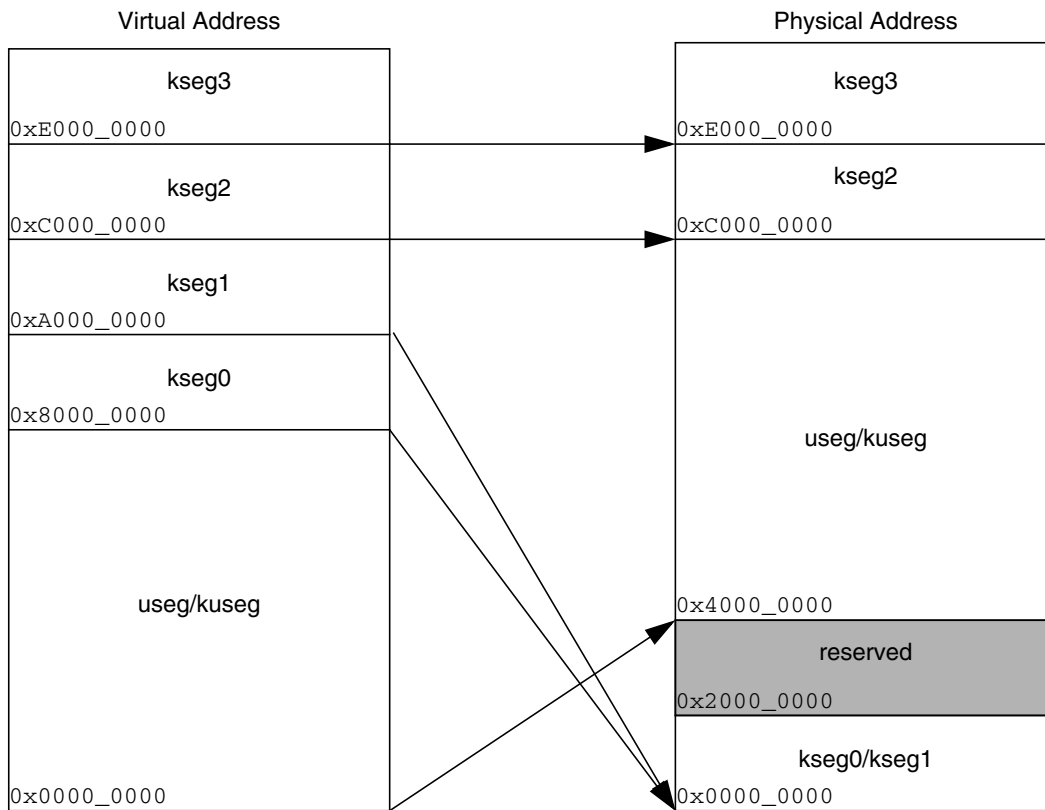
Segment	Virtual Address Range	Cacheability
useg/kuseg	0x0000_0000- 0x7FFF_FFFF	Controlled by the KU field (bits 27:25) of the <i>Config</i> register. Refer to Table 5-11 for the encoding.
kseg0	0x8000_0000- 0x9FFF_FFFF	Controlled by the K0 field (bits 2:0) of the <i>Config</i> register. See Table 5-11 for the encoding.
kseg1	0xA000_0000- 0xBFFF_FFFF	Always uncacheable
kseg2	0xC000_0000- 0xDFFF_FFFF	Controlled by the K23 field (bits 30:28) of the <i>Config</i> register. Refer to Table 5-11 for the encoding.

Table 5-12 Cacheability of Segments with Fixed Mapping Translation (Continued)

Segment	Virtual Address Range	Cacheability
kseg3	0xE000_0000- 0xFFFF_FFFF	Controlled by K23 field (bits 30:28) of the <i>Config</i> register. Refer to Table 5-11 for the encoding.

The FM performs a simple translation to map from virtual addresses to physical addresses. This mapping is shown in [Figure 5-12 on page 96](#). When ERL=1, useg and kuseg become unmapped and uncached just like they do if there is a TLB. The ERL mapping is shown in [Figure 5-13 on page 97](#).

The ERL bit is usually never asserted by software. It is asserted by hardware after a Reset, NMI, or Cache Error. See [Section 6.8, "Exceptions" on page 116](#) for further information on exceptions.

**Figure 5-12 FM Memory Map (ERL=0) in the 24KE™ Processor Core**

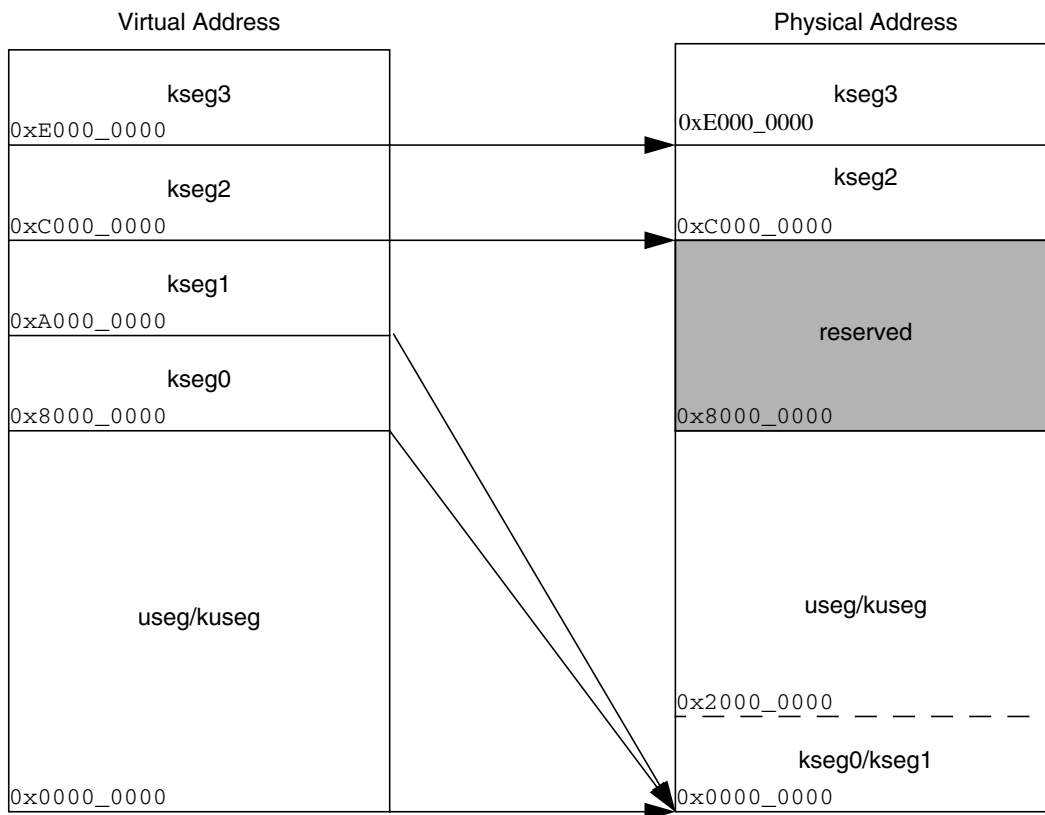


Figure 5-13 FM Memory Map (ERL=1) in the 24KE™ Processor Core

5.6 System Control Coprocessor

The System Control Coprocessor (CP0) is implemented as an integral part of the 24KE processor core and supports memory management, address translation, exception handling, and other privileged operations. Certain CP0 registers are used to support memory management. Refer to [Chapter 7, “CP0 Registers of the 24KE™ Core,”](#) on page 135 for more information on the CP0 register set.

Exceptions and Interrupts in the 24KE™ Core

The 24KE™ processor core receives exceptions from a number of sources, including translation lookaside buffer (TLB) misses, arithmetic overflows, I/O interrupts, and system calls. When the CPU detects one of these exceptions, the normal sequence of instruction execution is suspended and the processor enters kernel mode.

In kernel mode the core disables interrupts and forces execution of a software exception processor (called a handler) located at a specific address. The handler saves the context of the processor, including the contents of the program counter, the current operating mode, and the status of the interrupts (enabled or disabled). This context is saved so it can be restored when the exception has been serviced.

When an exception occurs, the core loads the *Exception Program Counter (EPC)* register with a location where execution can restart after the exception has been serviced. Most exceptions are *precise*, which mean that *EPC* can be used to identify the instruction that caused the exception. For precise exceptions the restart location in the *EPC* register is the address of the instruction that caused the exception or, if the instruction was executing in a branch delay slot, the address of the branch instruction immediately preceding the delay slot. To distinguish between the two, software must read the *BD* bit in the *CP0 Cause* register. Bus error exceptions and *CP2* exceptions may be imprecise. For imprecise exceptions the instruction that caused the exception can not be identified.

This chapter contains the following sections:

- [Section 6.1, "Exception Conditions"](#)
- [Section 6.2, "Exception Priority"](#)
- [Section 6.3, "Interrupts"](#)
- [Section 6.4, "GPR Shadow Registers"](#)
- [Section 6.5, "Exception Vector Locations"](#)
- [Section 6.6, "General Exception Processing"](#)
- [Section 6.7, "Debug Exception Processing"](#)
- [Section 6.8, "Exceptions"](#)
- [Section 6.9, "Exception Handling and Servicing Flowcharts"](#)

6.1 Exception Conditions

When an exception condition occurs, the relevant instruction and all those that follow it in the pipeline are cancelled. Accordingly, any stall conditions and any later exception conditions that may have referenced this instruction are inhibited; there is no benefit in servicing stalls for a cancelled instruction.

When an exception condition is detected on an instruction fetch, the core aborts that instruction and all instructions that follow. When this instruction reaches the *WB* stage, the exception flag causes it to write various *CP0* registers with the exception state, change the current program counter (*PC*) to the appropriate exception vector address, and clear the exception bits of earlier pipeline stages.

For most exception types this implementation allows all preceding instructions to complete execution and prevents all subsequent instructions from completing. Thus, the value in the *EPC* (*ErrorEPC* for errors, or *DEPC* for debug exceptions) is sufficient to restart execution. It also ensures that exceptions are taken in the order of execution; an

instruction taking an exception may itself be killed by an instruction further down the pipeline that takes an exception in a later cycle.

A number of exceptions can be taken imprecisely - that is, they are taken after the instruction that caused them has completed and potentially after following instructions have completed.

6.2 Exception Priority

Table 6-1 lists all possible exceptions, and the relative priority of each, highest to lowest. Several of these exceptions can happen simultaneously, in that event the exception with the highest priority is the one taken.

Table 6-1 Priority of Exceptions

Exception	Description
Reset	Assertion of SI_Reset signal.
DSS	EJTAG Debug Single Step.
DINT	EJTAG Debug Interrupt. Caused by the assertion of the external <i>EJ_DINT</i> input, or by setting the <i>EjtagBrk</i> bit in the <i>ECR</i> register.
DDBLImpr/DDBSImpr	Debug Data Break Load/Store Imprecise
NMI	Asserting edge of <i>SI_NMI</i> signal.
Interrupt	Assertion of unmasked hardware or software interrupt signal.
Deferred Watch	Deferred Watch (unmasked by <i>KIDM</i> ->!(<i>KIDM</i>) transition).
DIB	EJTAG debug hardware instruction break matched.
WATCH	A reference to an address in one of the watch registers (fetch).
AdEL	Fetch address alignment error. Fetch reference to protected address.
TLBL	Fetch TLB miss Fetch TLB hit to page with <i>V=0</i>
ICache Error	Parity error on ICache access
IBE	Instruction fetch bus error.
DBp	EJTAG Breakpoint (execution of <i>SDBBP</i> instruction).
Sys	Execution of <i>SYSCALL</i> instruction.
Bp	Execution of <i>BREAK</i> instruction.
CpU	Execution of a coprocessor instruction for a coprocessor that is not enabled.
CEU	Execution of a <i>CorExtend</i> instruction modifying local state when <i>CorExtend</i> is not enabled.
DSPDis	DSP ASE State Disabled
RI	Execution of a Reserved Instruction.
FPE	Floating Point exception
C2E	Coprocessor2 Exception

Table 6-1 Priority of Exceptions (Continued)

Exception	Description
IS1	Implementation specific Coprocessor2 exception
Ov	Execution of an arithmetic instruction that overflowed.
Tr	Execution of a trap (when trap condition is true).
Machine Check	TLB write that conflicts with an existing entry.
DDBL / DDBS	EJTAG Data Address Break (address only)
WATCH	A reference to an address in one of the watch registers (data).
AdEL	Load address alignment error. Load reference to protected address.
AdES	Store address alignment error. Store to protected address.
TLBL	Load TLB miss. Load TLB hit to page with V=0
TLBS	Store TLB miss. Store TLB hit to page with V=0
TLB Mod	Store to TLB page with D=0.
DCache Error	Cache parity error - imprecise
DBE	Load or store bus error - imprecise

6.3 Interrupts

Older 32-bit cores available from MIPS that implemented Release 1 of the Architecture included support for two software interrupts, six hardware interrupts, and a special-purpose timer interrupt. The timer interrupt was provided external to the core and typically combined with hardware interrupt 5 in a system-dependent manner. Interrupts were handled either through the general exception vector (offset 16#180) or the special interrupt vector (16#200), based on the value of Cause_{IV}. Software was required to prioritize interrupts as a function of the Cause_{IP} bits in the interrupt handler prologue.

Release 2 of the Architecture, implemented by the 24KE core, adds an upward-compatible extension to the Release 1 interrupt architecture that supports vectored interrupts. In addition, Release 2 adds a new interrupt mode that supports the use of an external interrupt controller by changing the interrupt architecture.

Additionally, internal performance counters were added to the 24KE core. These counters can be set up to count various events within the core. When the MSB of the counter gets set, it can trigger a performance counter interrupt. This is handled like the timer interrupt - it is an output of the core and can be brought back into the core's interrupt pins in a system dependent manner.

6.3.1 Interrupt Modes

The 24KE core includes support for three interrupt modes, as defined by Release 2 of the Architecture:

- Interrupt compatibility mode, which acts identically to that in an implementation of Release 1 of the Architecture.

- Vectored Interrupt (VI) mode, which adds the ability to prioritize and vector interrupts to a handler dedicated to that interrupt, and to assign a GPR shadow set for use during interrupt processing. The presence of this mode is denoted by the VInt bit in the *Config3* register. This mode is architecturally optional; but it is always present on the 24KE core, so the VInt bit will always read as a 1 for the 24KE core.
- External Interrupt Controller (EIC) mode, which redefines the way in which interrupts are handled to provide full support for an external interrupt controller handling prioritization and vectoring of interrupts. This presence of this mode denoted by the VEIC bit in the *Config3* register. Again, this mode is architecturally optional. On the 24KE core, the VEIC bit is set externally by the static input, *SI_EICPresent*, to allow system logic to indicate the presence of an external interrupt controller.

The reset state of the processor is to interrupt compatibility mode such that a processor supporting Release 2 of the Architecture, like the 24KE core, is fully compatible with implementations of Release 1 of the Architecture.

Table 6-2 shows the current interrupt mode of the processor as a function of the coprocessor 0 register fields that can affect the mode.

Table 6-2 Interrupt Modes

Status _{BEV}	Cause _{IV}	IntCtl _{VS}	Config ₃ VINT	Config ₃ VEIC	Interrupt Mode
1	x	x	x	x	Compatibility
x	0	x	x	x	Compatibility
x	x	=0	x	x	Compatibility
0	1	≠0	1	0	Vectored Interrupt
0	1	≠0	x	1	External Interrupt Controller
0	1	≠0	0	0	Can't happen - IntCtl _{VS} can not be non-zero if neither Vectored Interrupt nor External Interrupt Controller mode is implemented.
"x" denotes don't care					

6.3.1.1 Interrupt Compatibility Mode

This is the default interrupt mode for the processor and is entered when a Reset exception occurs. In this mode, interrupts are non-vectored and dispatched through exception vector offset 16#180 (if Cause_{IV} = 0) or vector offset 16#200 (if Cause_{IV} = 1). This mode is in effect if any of the following conditions are true:

- Cause_{IV} = 0
- Status_{BEV} = 1
- IntCtl_{VS} = 0, which would be the case if vectored interrupts are not implemented, or have been disabled.

A typical software handler for interrupt compatibility mode might look as follows:

```

/*
 * Assumptions:
 * - CauseIV = 1 (if it were zero, the interrupt exception would have to
 *   be isolated from the general exception vector before getting
 *   here)
 * - GPRs k0 and k1 are available (no shadow register switches invoked in
 *   compatibility mode)

```

```

* - The software priority is IP7..IP0 (HW5..HW0, SW1..SW0)
*
* Location: Offset 0x200 from exception base
*/

IVexception:
    mfc0    k0, C0_Cause        /* Read Cause register for IP bits */
    mfc0    k1, C0_Status      /* and Status register for IM bits */
    andi    k0, k0, M_CauseIM  /* Keep only IP bits from Cause */
    and     k0, k0, k1         /* and mask with IM bits */
    beq     k0, zero, Dismiss   /* no bits set - spurious interrupt */
    clz     k0, k0             /* Find first bit set, IP7..IP0; k0 = 16..23 */
    xori    k0, k0, 0x17       /* 16..23 => 7..0 */
    sll     k0, k0, VS         /* Shift to emulate software IntCtlVS */
    la      k1, VectorBase     /* Get base of 8 interrupt vectors */
    addu    k0, k0, k1         /* Compute target from base and offset */
    jr      k0                 /* Jump to specific exception routine */
    nop

/*
* Each interrupt processing routine processes a specific interrupt, analogous
* to those reached in VI or EIC interrupt mode. Since each processing routine
* is dedicated to a particular interrupt line, it has the context to know
* which line was asserted. Each processing routine may need to look further
* to determine the actual source of the interrupt if multiple interrupt requests
* are ORed together on a single IP line. Once that task is performed, the
* interrupt may be processed in one of two ways:
*
* - Completely at interrupt level (e.g., a simply UART interrupt). The
*   SimpleInterrupt routine below is an example of this type.
* - By saving sufficient state and re-enabling other interrupts. In this
*   case the software model determines which interrupts are disabled during
*   the processing of this interrupt. Typically, this is either the single
*   StatusIM bit that corresponds to the interrupt being processed, or some
*   collection of other StatusIM bits so that "lower" priority interrupts are
*   also disabled. The NestedInterrupt routine below is an example of this type.
*/

SimpleInterrupt:
/*
* Process the device interrupt here and clear the interrupt request
* at the device. In order to do this, some registers may need to be
* saved and restored. The coprocessor 0 state is such that an ERET
* will simple return to the interrupted code.
*/
    eret                    /* Return to interrupted code */

NestedException:
/*
* Nested exceptions typically require saving the EPC and Status registers,
* any GPRs that may be modified by the nested exception routine, disabling
* the appropriate IM bits in Status to prevent an interrupt loop, putting
* the processor in kernel mode, and re-enabling interrupts. The sample code
* below can not cover all nuances of this processing and is intended only
* to demonstrate the concepts.
*/

    /* Save GPRs here, and setup software context */
    mfc0    k0, C0_EPC        /* Get restart address */
    sw      k0, EPCSave      /* Save in memory */

```

```

mfc0    k0, C0_Status      /* Get Status value */
sw      k0, StatusSave    /* Save in memory */
li      k1, ~IMbitsToClear /* Get Im bits to clear for this interrupt */
/*      this must include at least the IM bit */
/*      for the current interrupt, and may include */
/*      others */
and     k0, k0, k1        /* Clear bits in copy of Status */
ins     k0, zero, S_StatusEXL, (W_StatusKSU+W_StatusERL+W_StatusEXL)
/* Clear KSU, ERL, EXL bits in k0 */
mtc0    k0, C0_Status      /* Modify mask, switch to kernel mode, */
/*      re-enable interrupts */

/*
 * Process interrupt here, including clearing device interrupt.
 * In some environments this may be done with a thread running in
 * kernel or user mode. Such an environment is well beyond the scope of
 * this example.
 */

/*
 * To complete interrupt processing, the saved values must be restored
 * and the original interrupted code restarted.
 */

di      /* Disable interrupts - may not be required */
lw      k0, StatusSave    /* Get saved Status (including EXL set) */
lw      k1, EPCSave       /* and EPC */
mtc0    k0, C0_Status      /* Restore the original value */
mtc0    k1, C0_EPC        /* and EPC */
/* Restore GPRs and software state */
eret    /* Dismiss the interrupt */

```

6.3.1.2 Vectored Interrupt Mode

Vectored Interrupt mode builds on the interrupt compatibility mode by adding a priority encoder to prioritize pending interrupts and to generate a vector with which each interrupt can be directed to a dedicated handler routine. This mode also allows each interrupt to be mapped to a GPR shadow set for use by the interrupt handler. Vectored Interrupt mode is in effect if all of the following conditions are true:

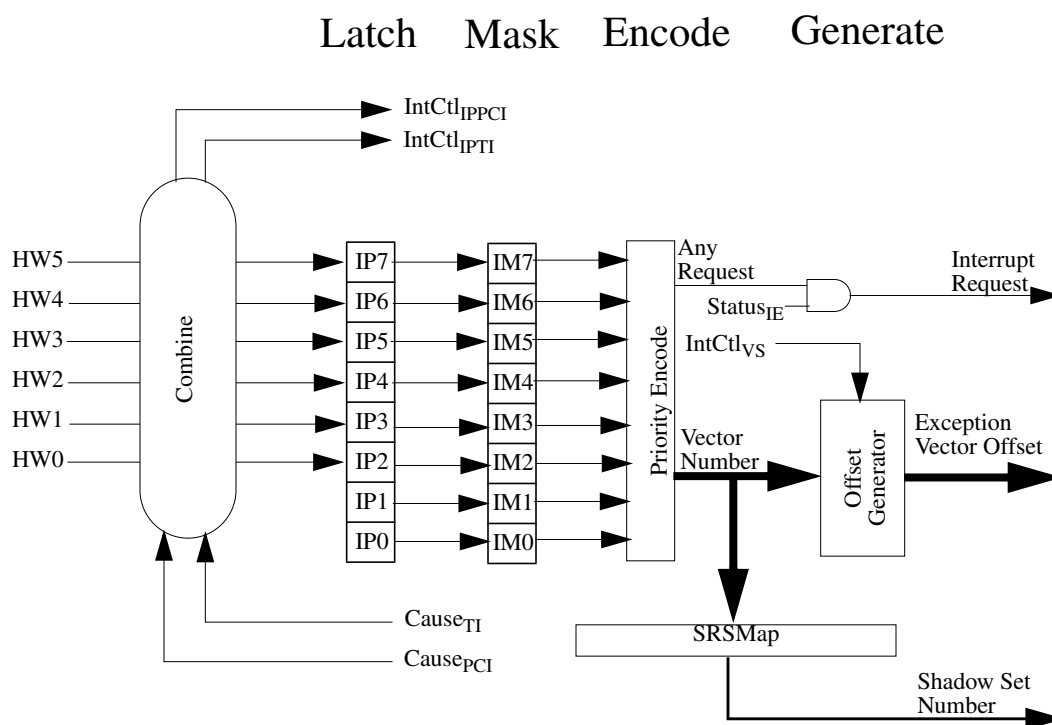
- Config3_{VInt} = 1
- Config3_{VEIC} = 0
- IntCtl_{VS} ≠ 0
- Cause_{IV} = 1
- Status_{BEV} = 0

In VI interrupt mode, the six hardware interrupts are interpreted as individual hardware interrupt requests. The timer and performance counter interrupts are combined in a system-dependent way (external to the core) with the hardware interrupts (the interrupt with which they are combined is indicated by the *IntCtl_{PTI/PCI}* fields) to provide the appropriate relative priority of the those interrupts with that of the hardware interrupts. The processor interrupt logic ANDs each of the *Cause_{IP}* bits with the corresponding *Status_{IM}* bits. If any of these values is 1, and if interrupts are enabled (*Status_{IE}* = 1, *Status_{EXL}* = 0, and *Status_{ERL}* = 0), an interrupt is signaled and a priority encoder scans the values in the order shown in [Table 6-3](#).

Table 6-3 Relative Interrupt Priority for Vectored Interrupt Mode

Relative Priority	Interrupt Type	Interrupt Source	Interrupt Request Calculated From	Vector Number Generated by Priority Encoder
Highest Priority	Hardware	HW5	IP7 and IM7	7
		HW4	IP6 and IM6	6
		HW3	IP5 and IM5	5
		HW2	IP4 and IM4	4
		HW1	IP3 and IM3	3
		HW0	IP2 and IM2	2
Lowest Priority	Software	SW1	IP1 and IM1	1
		SW0	IP0 and IM0	0

The priority order places a relative priority on each hardware interrupt and places the software interrupts at a priority lower than all hardware interrupts. When the priority encoder finds the highest priority pending interrupt, it outputs an encoded vector number that is used in the calculation of the handler for that interrupt, as described below. This is shown pictorially in Figure 6-1.

**Figure 6-1 Interrupt Generation for Vectored Interrupt Mode**

A typical software handler for vectored interrupt mode bypasses the entire sequence of code following the IVexception label shown for the compatibility mode handler above. Instead, the hardware performs the prioritization, dispatching directly to the interrupt processing routine. Unlike the compatibility mode examples, a vectored interrupt handler may take advantage of a dedicated GPR shadow set to avoid saving any registers. As such, the SimpleInterrupt code shown above need not save the GPRs.

A nested interrupt is similar to that shown for compatibility mode, but may also take advantage of running the nested exception routine in the GPR shadow set dedicated to the interrupt or in another shadow set. Such a routine might look as follows:

```

NestedException:
/*
 * Nested exceptions typically require saving the EPC, Status and SRSCtl registers,
 * setting up the appropriate GPR shadow set for the routine, disabling
 * the appropriate IM bits in Status to prevent an interrupt loop, putting
 * the processor in kernel mode, and re-enabling interrupts. The sample code
 * below can not cover all nuances of this processing and is intended only
 * to demonstrate the concepts.
 */

/* Use the current GPR shadow set, and setup software context */
mfc0 k0, C0_EPC /* Get restart address */
sw k0, EPCsave /* Save in memory */
mfc0 k0, C0_Status /* Get Status value */
sw k0, StatusSave /* Save in memory */
mfc0 k0, C0_SRSCtl /* Save SRSCtl if changing shadow sets */
sw k0, SRSCtlSave

li k1, ~IMbitsToClear /* Get Im bits to clear for this interrupt */
/* this must include at least the IM bit */
/* for the current interrupt, and may include */
/* others */
and k0, k0, k1 /* Clear bits in copy of Status */
/* If switching shadow sets, write new value to SRSCtl_pss here */
ins k0, zero, S_StatusEXL, (W_StatusKSU+W_StatusERL+W_StatusEXL)
/* Clear KSU, ERL, EXL bits in k0 */
mtc0 k0, C0_Status /* Modify mask, switch to kernel mode, */
/* re-enable interrupts */

/*
 * If switching shadow sets, clear only KSU above, write target
 * address to EPC, and do execute an eret to clear EXL, switch
 * shadow sets, and jump to routine
 */

/* Process interrupt here, including clearing device interrupt */

/*
 * To complete interrupt processing, the saved values must be restored
 * and the original interrupted code restarted.
 */

di /* Disable interrupts - may not be required */
lw k0, StatusSave /* Get saved Status (including EXL set) */
lw k1, EPCsave /* and EPC */
mtc0 k0, C0_Status /* Restore the original value */
lw k0, SRSCtlSave /* Get saved SRSCtl */
mtc0 k1, C0_EPC /* and EPC */
mtc0 k0, C0_SRSCtl /* Restore shadow sets */
ehb /* Clear hazard */
eret /* Dismiss the interrupt */

```

6.3.1.3 External Interrupt Controller Mode

External Interrupt Controller Mode redefines the way that the processor interrupt logic is configured to provide support for an external interrupt controller. The interrupt controller is responsible for prioritizing all interrupts, including

hardware, software, timer, and performance counter interrupts, and directly supplying to the processor the vector number of the highest priority interrupt. EIC interrupt mode is in effect if all of the following conditions are true:

- $\text{Config3}_{\text{VEIC}} = 1$
- $\text{IntCtl}_{\text{VS}} \neq 0$
- $\text{Cause}_{\text{IV}} = 1$
- $\text{Status}_{\text{BEV}} = 0$

In EIC interrupt mode, the processor sends the state of the software interrupt requests ($\text{Cause}_{\text{IP1..IP0}}$) and the timer and performance counter interrupt requests ($\text{Cause}_{\text{TI/PCI}}$) to the external interrupt controller, where it prioritizes these interrupts in a system-dependent way with other hardware interrupts. The interrupt controller can be a hard-wired logic block, or it can be configurable based on control and status registers. This allows the interrupt controller to be more specific or more general as a function of the system environment and needs.

The external interrupt controller prioritizes its interrupt requests and produces the vector number of the highest priority interrupt to be serviced. The vector number, called the Requested Interrupt Priority Level (RIPL), is a 6-bit encoded value in the range 0..63, inclusive. A value of 0 indicates that no interrupt requests are pending. The values 1..63 represent the lowest (1) to highest (63) RIPL for the interrupt to be serviced. The interrupt controller passes this value on the 6 hardware interrupt line, which are treated as an encoded value in EIC interrupt mode.

$\text{Status}_{\text{IPL}}$ (which overlays $\text{Status}_{\text{IM7..IM2}}$) is interpreted as the Interrupt Priority Level (IPL) at which the processor is currently operating (with a value of zero indicating that no interrupt is currently being serviced). When the interrupt controller requests service for an interrupt, the processor compares RIPL with $\text{Status}_{\text{IPL}}$ to determine if the requested interrupt has higher priority than the current IPL. If RIPL is strictly greater than $\text{Status}_{\text{IPL}}$, and interrupts are enabled ($\text{Status}_{\text{IE}} = 1$, $\text{Status}_{\text{EXL}} = 0$, and $\text{Status}_{\text{ERL}} = 0$) an interrupt request is signaled to the pipeline. When the processor starts the interrupt exception, it loads RIPL into $\text{Cause}_{\text{RIPL}}$ (which overlays $\text{Cause}_{\text{IP7..IP2}}$) and signals the external interrupt controller to notify it that the request is being serviced. The interrupt exception uses the value of $\text{Cause}_{\text{RIPL}}$ as the vector number. Because $\text{Cause}_{\text{RIPL}}$ is only loaded by the processor when an interrupt exception is signaled, it is available to software during interrupt processing.

In EIC interrupt mode, the external interrupt controller is also responsible for supplying the GPR shadow set number to use when servicing the interrupt. As such, the *SRSMap* register is not used in this mode, and the mapping of the vectored interrupt to a GPR shadow set is done by programming (or designing) the interrupt controller to provide the correct GPR shadow set number when an interrupt is requested. When the processor loads an interrupt request into $\text{Cause}_{\text{RIPL}}$, it also loads the GPR shadow set number into $\text{SRSCtl}_{\text{EICSS}}$, which is copied to $\text{SRSCtl}_{\text{CSS}}$ when the interrupt is serviced.

The operation of EIC interrupt mode is shown pictorially in [Figure 6-2](#).

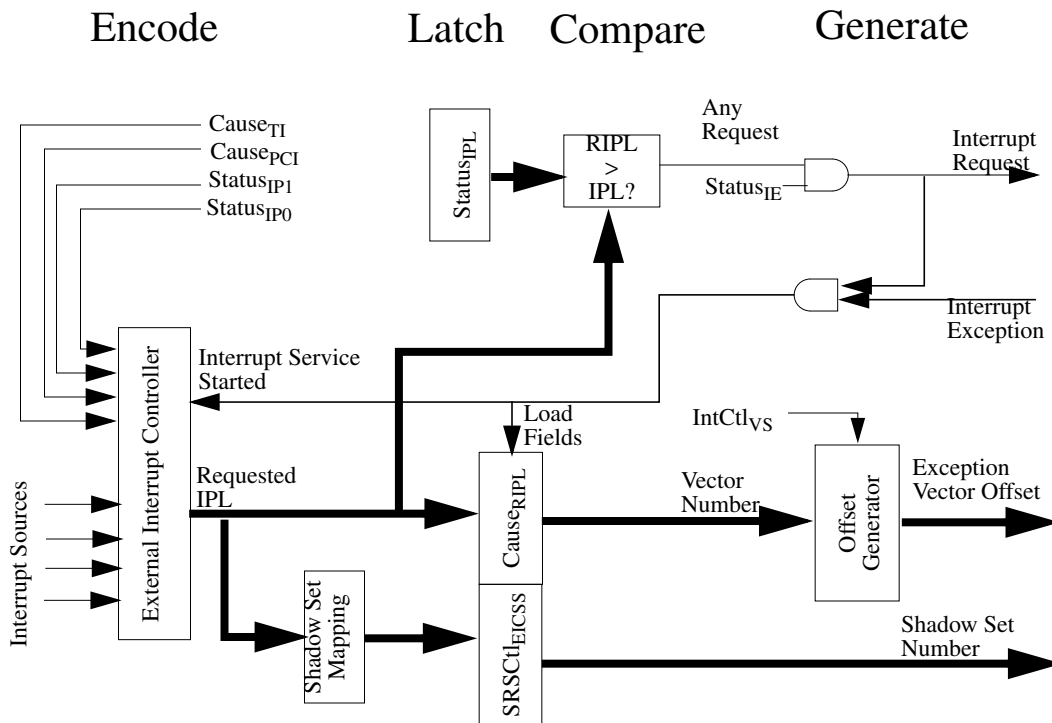


Figure 6-2 Interrupt Generation for External Interrupt Controller Interrupt Mode

A typical software handler for EIC interrupt mode bypasses the entire sequence of code following the IVexception label shown for the compatibility mode handler above. Instead, the hardware performs the prioritization, dispatching directly to the interrupt processing routine. Unlike the compatibility mode examples, an EIC interrupt handler may take advantage of a dedicated GPR shadow set to avoid saving any registers. As such, the SimpleInterrupt code shown above need not save the GPRs.

A nested interrupt is similar to that shown for compatibility mode, but may also take advantage of running the nested exception routine in the GPR shadow set dedicated to the interrupt or in another shadow set. It also need only copy Cause_{RIPL} to Status_{IPL} to prevent lower priority interrupts from interrupting the handler. Such a routine might look as follows:

```
NestedException:
/*
 * Nested exceptions typically require saving the EPC, Status, and SRSCtl registers,
 * setting up the appropriate GPR shadow set for the routine, disabling
 * the appropriate IM bits in Status to prevent an interrupt loop, putting
 * the processor in kernel mode, and re-enabling interrupts. The sample code
 * below can not cover all nuances of this processing and is intended only
 * to demonstrate the concepts.
 */

/* Use the current GPR shadow set, and setup software context */
mfc0 k1, C0_Cause      /* Read Cause to get RIPL value */
mfc0 k0, C0_EPC       /* Get restart address */
srl  k1, k1, S_CauseRIPL /* Right justify RIPL field */
sw   k0, EPCsave     /* Save in memory */
mfc0 k0, C0_Status    /* Get Status value */
sw   k0, StatusSave  /* Save in memory */
ins  k0, k1, S_StatusIPL, 6 /* Set IPL to RIPL in copy of Status */
mfc0 k1, C0_SRSCtl    /* Save SRSCtl if changing shadow sets */
sw   k1, SRSCtlSave
```

```

/* If switching shadow sets, write new value to SRSCtlPSS here */
ins    k0, zero, S_StatusEXL, (W_StatusKSU+W_StatusERL+W_StatusEXL)
                                           /* Clear KSU, ERL, EXL bits in k0 */
mtc0   k0, C0_Status                      /* Modify IPL, switch to kernel mode, */
                                           /* re-enable interrupts */

/*
 * If switching shadow sets, clear only KSU above, write target
 * address to EPC, and do execute an eret to clear EXL, switch
 * shadow sets, and jump to routine
 */

/* Process interrupt here, including clearing device interrupt */

/*
 * The interrupt completion code is identical to that shown for VI mode above.
 */

```

6.3.2 Generation of Exception Vector Offsets for Vectored Interrupts

For vectored interrupts (in either VI or EIC interrupt mode), a vector number is produced by the interrupt control logic. This number is combined with IntCtl_{VS} to create the interrupt offset, which is added to 16#200 to create the exception vector offset. For VI interrupt mode, the vector number is in the range 0..7, inclusive. For EIC interrupt mode, the vector number is in the range 1..63, inclusive (0 being the encoding for “no interrupt”). The IntCtl_{VS} field specifies the spacing between vector locations. If this value is zero (the default reset state), the vector spacing is zero and the processor reverts to Interrupt Compatibility Mode. A non-zero value enables vectored interrupts, and [Table 6-4](#) shows the exception vector offset for a representative subset of the vector numbers and values of the IntCtl_{VS} field.

Table 6-4 Exception Vector Offsets for Vectored Interrupts

Vector Number	Value of IntCtl_{VS} Field				
	2#00001	2#00010	2#00100	2#01000	2#10000
0	16#0200	16#0200	16#0200	16#0200	16#0200
1	16#0220	16#0240	16#0280	16#0300	16#0400
2	16#0240	16#0280	16#0300	16#0400	16#0600
3	16#0260	16#02C0	16#0380	16#0500	16#0800
4	16#0280	16#0300	16#0400	16#0600	16#0A00
5	16#02A0	16#0340	16#0480	16#0700	16#0C00
6	16#02C0	16#0380	16#0500	16#0800	16#0E00
7	16#02E0	16#03C0	16#0580	16#0900	16#1000
		• • •			
61	16#09A0	16#1140	16#2080	16#3F00	16#7C00
62	16#09C0	16#1180	16#2100	16#4000	16#7E00
63	16#09E0	16#11C0	16#2180	16#4100	16#8000

The general equation for the exception vector offset for a vectored interrupt is:

$$\text{vectorOffset} \leftarrow 16\#200 + (\text{vectorNumber} \times (\text{IntCtl}_{\text{VS}} \parallel 2\#00000))$$

6.4 GPR Shadow Registers

Release 2 of the Architecture optionally removes the need to save and restore GPRs on entry to high priority interrupts or exceptions, and to provide specified processor modes with the same capability. This is done by introducing multiple copies of the GPRs, called *shadow sets*, and allowing privileged software to associate a shadow set with entry to kernel mode via an interrupt vector or exception. The normal GPRs are logically considered shadow set zero.

The number of GPR shadow sets is a build-time option on the 24KE core. Although Release 2 of the Architecture defines a maximum of 16 shadow sets, the core allows one (the normal GPRs), two, or four shadow sets. The highest number actually implemented is indicated by the $\text{SRSCtl}_{\text{HSS}}$ field. If this field is zero, only the normal GPRs are implemented.

Shadow sets are new copies of the GPRs that can be substituted for the normal GPRs on entry to kernel mode via an interrupt or exception. Once a shadow set is bound to a kernel mode entry condition, reference to GPRs work exactly as one would expect, but they are redirected to registers that are dedicated to that condition. Privileged software may need to reference all GPRs in the register file, even specific shadow registers that are not visible in the current mode. The RDPGPR and WRPGPR instructions are used for this purpose. The CSS field of the SRSCtl register provides the number of the current shadow register set, and the PSS field of the SRSCtl register provides the number of the previous shadow register set (that which was current before the last exception or interrupt occurred).

If the processor is operating in VI interrupt mode, binding of a vectored interrupt to a shadow set is done by writing to the SRSCtl register. If the processor is operating in EIC interrupt mode, the binding of the interrupt to a specific shadow set is provided by the external interrupt controller, and is configured in an implementation-dependent way. Binding of an exception or non-vectored interrupt to a shadow set is done by writing to the ESS field of the SRSCtl register. When an exception or interrupt occurs, the value of $\text{SRSCtl}_{\text{CSS}}$ is copied to $\text{SRSCtl}_{\text{PSS}}$, and $\text{SRSCtl}_{\text{CSS}}$ is set to the value taken from the appropriate source. On an ERET , the value of $\text{SRSCtl}_{\text{PSS}}$ is copied back into $\text{SRSCtl}_{\text{CSS}}$ to restore the shadow set of the mode to which control returns. More precisely, the rules for updating the fields in the SRSCtl register on an interrupt or exception are as follows:

1. No field in the SRSCtl register is updated if any of the following conditions is true. In this case, steps 2 and 3 are skipped.
 - The exception is one that sets $\text{Status}_{\text{ERL}}$: Reset or NMI.
 - The exception causes entry into EJTAG Debug Mode
 - $\text{Status}_{\text{BEV}} = 1$
 - $\text{Status}_{\text{EXL}} = 1$
2. $\text{SRSCtl}_{\text{CSS}}$ is copied to $\text{SRSCtl}_{\text{PSS}}$
3. $\text{SRSCtl}_{\text{CSS}}$ is updated from one of the following sources:
 - The appropriate field of the SRSCtl register, based on IPL , if the exception is an interrupt, $\text{Cause}_{\text{IV}} = 1$, $\text{Config3}_{\text{VEIC}} = 0$, and $\text{Config3}_{\text{VInt}} = 1$. These are the conditions for a vectored interrupt.
 - The EICSS field of the SRSCtl register if the exception is an interrupt, $\text{Cause}_{\text{IV}} = 1$, and $\text{Config3}_{\text{VEIC}} = 1$. These are the conditions for a vectored EIC interrupt.
 - The ESS field of the SRSCtl register in any other case. This is the condition for a non-interrupt exception, or a non-vectored interrupt.

Similarly, the rules for updating the fields in the SRSCtl register at the end of an exception or interrupt are as follows:

1. No field in the *SRSCtl* register is updated if any of the following conditions is true. In this case, step 2 is skipped.
 - A DERET is executed
 - An ERET is executed with $\text{Status}_{\text{ERL}} = 1$
2. $\text{SRSCtl}_{\text{PSS}}$ is copied to $\text{SRSCtl}_{\text{CSS}}$

These rules have the effect of preserving the *SRSCtl* register in any case of a nested exception or one which occurs before the processor has been fully initialized ($\text{Status}_{\text{BEV}} = 1$).

Privileged software may switch the current shadow set by writing a new value into $\text{SRSCtl}_{\text{PSS}}$, loading EPC with a target address, and doing an ERET.

6.5 Exception Vector Locations

The Reset, Soft Reset, and NMI exceptions are always vectored to location $16\#\text{BFC0}.0000$. EJTAG Debug exceptions are vectored to location $16\#\text{BFC0}.0480$, or to location $16\#\text{FF20}.0200$ if the ProbTrap bit is zero or one, respectively, in the EJTAG_Control_register. Addresses for all other exceptions are a combination of a vector offset and a vector base address. In Release 1 of the architecture, the vector base address was fixed. In Release 2 of the architecture, software is allowed to specify the vector base address via the *EBase* register for exceptions that occur when $\text{Status}_{\text{BEV}}$ equals 0. Table 6-5 gives the vector base address as a function of the exception and whether the BEV bit is set in the *Status* register. Table 6-6 gives the offsets from the vector base address as a function of the exception. Note that the IV bit in the *Cause* register causes Interrupts to use a dedicated exception vector offset, rather than the general exception vector. For implementations of Release 2 of the Architecture, Table 6-4 gives the offset from the base address in the case where $\text{Status}_{\text{BEV}} = 0$ and $\text{Cause}_{\text{IV}} = 1$. For implementations of Release 1 of the architecture in which $\text{Cause}_{\text{IV}} = 1$, the vector offset is as if $\text{IntCtl}_{\text{VS}}$ were 0. Table 6-7 combines these two tables into one that contains all possible vector addresses as a function of the state that can affect the vector selection. To avoid complexity in the table, the vector address value assumes that the *EBase* register, as implemented in Release 2 devices, is not changed from its reset state and that $\text{IntCtl}_{\text{VS}}$ is 0.

Table 6-5 Exception Vector Base Addresses

Exception	Status _{BEV}	
	0	1
Reset, NMI	16#BFC0.0000	
EJTAG Debug (with ProbEn = 0 in the EJTAG_Control_register)	16#BFC0.0480	
EJTAG Debug (with ProbEn = 1 in the EJTAG_Control_register)	16#FF20.0200	
Other	<i>For Release 1 of the architecture:</i> 16#8000.0000 <i>For Release 2 of the architecture:</i> $\text{EBase}_{31..12} \parallel 16\#000$ Note that $\text{EBase}_{31..30}$ have the fixed value 2#10	16#BFC0.0200

Table 6-6 Exception Vector Offsets

Exception	Vector Offset
TLB Refill, EXL = 0	16#000
General Exception	16#180
Interrupt, Cause _{IV} = 1	16#200 (In Release 2 implementations, this is the base of the vectored interrupt table when Status _{BEV} = 0)
Reset, NMI	None (Uses Reset Base Address)

Table 6-7 Exception Vectors

Exception	Status _{BEV}	Status _{EXL}	Cause _{IV}	EJTAG ProbEn	Vector For Release 2 Implementations, assumes that EBase retains its reset state and that IntCtl _{VS} = 0
Reset, NMI	x	x	x	x	16#BFC0.0000
EJTAG Debug	x	x	x	0	16#BFC0.0480
EJTAG Debug	x	x	x	1	16#FF20.0200
TLB Refill	0	1	x	x	16#8000.0180
TLB Refill	1	0	x	x	16#BFC0.0200
TLB Refill	1	1	x	x	16#BFC0.0380
Interrupt	0	0	0	x	16#8000.0180
Interrupt	0	0	1	x	16#8000.0200
Interrupt	1	0	0	x	16#BFC0.0380
Interrupt	1	0	1	x	16#BFC0.0400
All others	0	x	x	x	16#8000.0180
All others	1	x	x	x	16#BFC0.0380
'x' denotes don't care					

6.6 General Exception Processing

With the exception of Reset, NMI, cache error, and EJTAG Debug exceptions, which have their own special processing as described below, exceptions have the same basic processing flow:

- If the EXL bit in the *Status* register is zero, the *EPC* register is loaded with the PC at which execution will be restarted and the BD bit is set appropriately in the *Cause* register (see [Table 7-22 on page 166](#)). The value loaded into the *EPC* register is dependent on whether the processor implements the MIPS16 ASE, and whether the instruction is in the delay slot of a branch or jump which has delay slots. [Table 6-8](#) shows the value stored in each of the CP0 PC registers, including *EPC*. For implementations of Release 2 of the Architecture if Status_{BEV} = 0, the CSS field in the

SRSCtl register is copied to the PSS field, and the CSS value is loaded from the appropriate source.

If the EXL bit in the *Status* register is set, the *EPC* register is not loaded and the BD bit is not changed in the *Cause* register. For implementations of Release 2 of the Architecture, the *SRSCtl* register is not changed.

Table 6-8 Value Stored in EPC, ErrorEPC, or DEPC on an Exception

MIPS16 Implemented?	In Branch/Jump Delay Slot?	Value stored in EPC/ErrorEPC/DEPC
No	No	Address of the instruction
No	Yes	Address of the branch or jump instruction (PC-4)
Yes	No	Upper 31 bits of the address of the instruction, combined with the <i>ISA Mode</i> bit
Yes	Yes	Upper 31 bits of the branch or jump instruction (PC-2 in the MIPS16 ISA Mode and PC-4 in the 32-bit ISA Mode), combined with the <i>ISA Mode</i> bit

- The CE, and ExcCode fields of the *Cause* registers are loaded with the values appropriate to the exception. The CE field is loaded, but not defined, for any exception type other than a coprocessor unusable exception.
- The EXL bit is set in the *Status* register.
- The processor is started at the exception vector.

The value loaded into EPC represents the restart address for the exception and need not be modified by exception handler software in the normal case. Software need not look at the BD bit in the *Cause* register unless it wishes to identify the address of the instruction that actually caused the exception.

Note that individual exception types may load additional information into other registers. This is noted in the description of each exception type below.

Operation:

```

/* If Status_EXL is 1, all exceptions go through the general exception vector */
/* and neither EPC nor Cause_BD nor SRSCtl are modified */
if Status_EXL = 1 then
    vectorOffset ← 16#180
else
    /* For implementations that include the MIPS16e ASE, calculate potential */
    /* PC adjustment for exceptions in the delay slot */

```

```

if Config1CA = 0 then
    restartPC ← PC
    branchAdjust ← 4      /* Possible adjustment for delay slot */
else
    restartPC ← PC31..1 || ISAMode
    if (ISAMode = 0) or ExtendedMIPS16Instruction
        branchAdjust ← 4 /* Possible adjustment for 32-bit MIPS delay slot */
    else
        branchAdjust ← 2 /* Possible adjustment for MIPS16 delay slot */
    endif
endif
if InstructionInBranchDelaySlot then
    EPC ← restartPC - branchAdjust /* PC of branch/jump */
    CauseBD ← 1
else
    EPC ← restartPC /* PC of instruction */
    CauseBD ← 0
endif

/* Compute vector offsets as a function of the type of exception */
NewShadowSet ← SRSCtlESS /* Assume exception, Release 2 only */
if ExceptionType = TLBRefill then
    vectorOffset ← 16#000
elseif (ExceptionType = Interrupt) then
    if (CauseIV = 0) then
        vectorOffset ← 16#180
    else
        if (StatusBEV = 1) or (IntCtlVS = 0) then
            vectorOffset ← 16#200
        else
            if Config3VEIC = 1 then
                VecNum ← CauseR IPL
                NewShadowSet ← SRSCtlEICSS
            else
                VecNum ← VIntPriorityEncoder()
                NewShadowSet ← SRSMaPIPLX4+3..IPLX4
            endif
            vectorOffset ← 16#200 + (VecNum × (IntCtlVS || 2#00000))
        endif /* if (StatusBEV = 1) or (IntCtlVS = 0) then */
    endif /* if (CauseIV = 0) then */
endif /* elseif (ExceptionType = Interrupt) then */

/* Update the shadow set information for an implementation of */
/* Release 2 of the architecture */
if ((ArchitectureRevision ≥ 2) and (SRSCtlHSS > 0) and (StatusBEV = 0) and
    (StatusERL = 0)) then
    SRSCtlPSS ← SRSCtlCSS
    SRSCtlCSS ← NewShadowSet
endif
endif /* if StatusEXL = 1 then */

CauseCE ← FaultingCoprocesorNumber
CauseExcCode ← ExceptionType
StatusEXL ← 1

if Config1CA = 1 then
    ISAMode ← 0
endif

/* Calculate the vector base address */

```

```

if StatusBEV = 1 then
    vectorBase ← 16#BFC0.0200
else
    if ArchitectureRevision ≥ 2 then
        /* The fixed value of EBase31..30 forces the base to be in kseg0 or kseg1 */
        vectorBase ← EBase31..12 || 16#000
    else
        vectorBase ← 16#8000.0000
    endif
endif

/* Exception PC is the sum of vectorBase and vectorOffset */
PC ← vectorBase31..30 || (vectorBase29..0 + vectorOffset29..0)
/* No carry between bits 29 and 30 */

```

6.7 Debug Exception Processing

All debug exceptions have the same basic processing flow:

- The *DEPC* register is loaded with the program counter (PC) value at which execution will be restarted and the DBD bit is set appropriately in the *Debug* register. The value loaded into the *DEPC* register is the current PC if the instruction is not in the delay slot of a branch, or the PC-4 of the branch if the instruction is in the delay slot of a branch.
- The DSS, DBp, DDBL, DDBS, DIB and DINT bits (D* bits at [5:0]) in the *Debug* register are updated appropriately depending on the debug exception type.
- Halt and Doze bits in the *Debug* register are updated appropriately.
- DM bit in the *Debug* register is set to 1.
- The processor is started at the debug exception vector.

The value loaded into *DEPC* represents the restart address for the debug exception and need not be modified by the debug exception handler software in the usual case. Debug software need not look at the DBD bit in the *Debug* register unless it wishes to identify the address of the instruction that actually caused the debug exception.

A unique debug exception is indicated through the DSS, DBp, DDBL, DDBS, DIB and DINT bits (D* bits at [5:0]) in the *Debug* register.

No other CP0 registers or fields are changed due to the debug exception, thus no additional state is saved.

Operation:

```

if InstructionInBranchDelaySlot then
    DEPC ← PC-4
    DebugDBD ← 1
else
    DEPC ← PC
    DebugDBD ← 0
endif
DebugD* bits at [5:0] ← DebugExceptionType
DebugHalt ← HaltStatusAtDebugException
DebugDoze ← DozeStatusAtDebugException
DebugDM ← 1
if EJTAGControlRegisterProbTrap = 1 then
    PC ← 0xFF20_0200
else
    PC ← 0xBFC0_0480

```

```
endif
```

The same debug exception vector location is used for all debug exceptions. The location is determined by the ProbTrap bit in the EJTAG Control register (ECR), as shown in Table 6-9.

Table 6-9 Debug Exception Vector Addresses

ProbTrap bit in ECR Register	Debug Exception Vector Address
0	0xBFC0_0480
1	0xFF20_0200 in dmseg

6.8 Exceptions

The following subsections describe each of the exceptions listed in the same sequence as shown in Table 6-1.

6.8.1 Reset Exception

A reset exception occurs when the *SI_Reset* signal is asserted to the processor. This exception is not maskable. When a Reset exception occurs, the processor performs a full reset initialization, including aborting state machines, establishing critical state, and generally placing the processor in a state in which it can execute instructions from uncached, unmapped address space. On a Reset exception, the state of the processor is not defined, with the following exceptions:

- The *Random* register is initialized to the number of TLB entries - 1.
- The *Wired* register is initialized to zero.
- The *Config* register is initialized with its boot state.
- The RP, BEV, TS, SR, NMI, and ERL fields of the *Status* register are initialized to a specified state.
- The I, R, and W fields of the *WatchLo* register are initialized to 0.
- The *ErrorEPC* register is loaded with PC-4 if the state of the processor indicates that it was executing an instruction in the delay slot of a branch. Otherwise, the *ErrorEPC* register is loaded with PC. Note that this value may or may not be predictable.
- PC is loaded with 0xBFC0_0000.

Cause Register ExcCode Value:

None

Additional State Saved:

None

Entry Vector Used:

Reset (0xBFC0_0000)

Operation:

```
Random ← TLBEntries - 1
Wired ← 0
Config ← ConfigurationState
StatusRP ← 0
StatusBEV ← 1
StatusTS ← 0
```

```

StatusSR ← 0
StatusNMI ← 0
StatusERL ← 1
WatchLoI ← 0
WatchLoR ← 0
WatchLoW ← 0
if InstructionInBranchDelaySlot then
    ErrorEPC ← PC - 4
else
    ErrorEPC ← PC
endif
PC ← 0xBFC0_0000

```

6.8.2 Debug Single Step Exception

A debug single step exception occurs after the CPU has executed one/two instructions in non-debug mode, when returning to non-debug mode after debug mode. One instruction is allowed to execute when returning to a non jump/branch instruction, otherwise two instructions are allowed to execute since the jump/branch and the instruction in the delay slot are executed as one step. Debug single step exceptions are enabled by the SSt bit in the Debug register, and are always disabled for the first one/two instructions after a DERET.

The DEPC register points to the instruction on which the debug single step exception occurred, which is also the next instruction to single step or execute when returning from debug mode. So the DEPC will not point to the instruction which has just been single stepped, but rather the following instruction. The DBD bit in the Debug register is never set for a debug single step exception, since the jump/branch and the instruction in the delay slot is executed in one step.

Exceptions occurring on the instruction(s) executed with debug single step exception enabled are taken even though debug single step was enabled. For a normal exception (other than reset), a debug single step exception is then taken on the first instruction in the normal exception handler. Debug exceptions are unaffected by single step mode, e.g. returning to a SDBBP instruction with debug single step exceptions enabled causes a debug software breakpoint exception, and the DEPC will point to the SDBBP instruction. However, returning to an instruction (not jump/branch) just before the SDBBP instruction, causes a debug single step exception with the DEPC pointing to the SDBBP instruction.

To ensure proper functionality of single step, the debug single step exception has priority over all other exceptions, except reset and soft reset.

Debug Register Debug Status Bit Set

DSS

Additional State Saved

None

Entry Vector Used

Debug exception vector

6.8.3 Debug Interrupt Exception

A debug interrupt exception is either caused by the EtagBrk bit in the *EJTAG Control register* (controlled through the TAP), or caused by the debug interrupt request signal to the CPU.

The debug interrupt exception is an asynchronous debug exception which is taken as soon as possible, but with no specific relation to the executed instructions. The *DEPC* register is set to the instruction where execution should continue after the debug handler is through. The DBD bit is set based on whether the interrupted instruction was executing in the delay slot of a branch.

Debug Register Debug Status Bit Set

DINT

Additional State Saved

None

Entry Vector Used

Debug exception vector

6.8.4 Non-Maskable Interrupt (NMI) Exception

A non maskable interrupt exception occurs when the *SI_NMI* signal is asserted to the processor. *SI_NMI* is an edge sensitive signal - only one NMI exception will be taken each time it is asserted. An NMI exception occurs only at instruction boundaries, so it does not cause any reset or other hardware initialization. The state of the cache, memory, and other processor states are consistent and all registers are preserved, with the following exceptions:

- The BEV, TS, SR, NMI, and ERL fields of the *Status* register are initialized to a specified state.
- The *ErrorEPC* register is loaded with PC-4 if the state of the processor indicates that it was executing an instruction in the delay slot of a branch. Otherwise, the *ErrorEPC* register is loaded with PC.
- PC is loaded with 0xBFC0_0000.

Cause Register ExcCode Value:

None

Additional State Saved:

None

Entry Vector Used:

Reset (0xBFC0_0000)

Operation:

```

StatusBEV ← 1
StatusTS ← 0
StatusSR ← 0
StatusNMI ← 1
StatusERL ← 1
if InstructionInBranchDelaySlot then
    ErrorEPC ← PC - 4
else
    ErrorEPC ← PC
endif
PC ← 0xBFC0_0000

```

6.8.5 Machine Check Exception

A machine check exception occurs when the processor detects an internal inconsistency. The following condition causes a machine check exception:

- The detection of multiple matching entries in the TLB. The core detects this condition on a TLB write and prevents the write from being completed. The TS bit in the *Status* register is set to indicate this condition. This bit is only a status flag and does not affect the operation of the device. Software clears this bit at the appropriate time. This condition is resolved by flushing the conflicting TLB entries. The TLB write can then be completed.

Cause Register ExcCode Value:

MCheck

Additional State Saved:

None

Entry Vector Used:

General exception vector (offset 0x180)

6.8.6 Interrupt Exception

The interrupt exception occurs when one or more of the six hardware, two software, or timer interrupt requests is enabled by the *Status* register and the interrupt input is asserted. See [Section 6.3, "Interrupts" on page 101](#) for more details about the processing of interrupts.

Register ExcCode Value:

Int

Additional State Saved:**Table 6-10 Register States an Interrupt Exception**

Register State	Value
<i>Cause_IP</i>	indicates the interrupts that are pending.

Entry Vector Used:

See [Section 6.3.2, "Generation of Exception Vector Offsets for Vectored Interrupts" on page 109](#) for the entry vector used, depending on the interrupt mode the processor is operating in.

6.8.7 Debug Instruction Break Exception

A debug instruction break exception occurs when an instruction hardware breakpoint matches an executed instruction. The *DEPC* register and *DBD* bit in the *Debug* register indicate the instruction that caused the instruction hardware breakpoint to match. This exception can only occur if instruction hardware breakpoints are implemented.

Debug Register Debug Status Bit Set:

DIB

Additional State Saved:

None

Entry Vector Used:

Debug exception vector

6.8.8 Watch Exception — Instruction Fetch or Data Access

The Watch facility provides a software debugging vehicle by initiating a watch exception when an instruction or data reference matches the address information stored in the *WatchHi* and *WatchLo* registers. A Watch exception is taken immediately if the *EXL* and *ERL* bits of the *Status* register are both zero and the *DM* bit of the *Debug* is also zero. If any of those bits is a one at the time that a watch exception would normally be taken, then the *WP* bit in the *Cause* register

is set, and the exception is deferred until all three bits are zero. Software may use the WP bit in the *Cause* register to determine if the *EPC* register points at the instruction that caused the watch exception, or if the exception actually occurred while in kernel mode.

The Watch exception can occur on either an instruction fetch or a data access. Watch exceptions that occur on an instruction fetch have a higher priority than watch exceptions that occur on a data access.

Register ExcCode Value:

WATCH

Additional State Saved:

Table 6-11 Register States on a Watch Exception

Register State	Value
Cause _{WP}	Indicates that the watch exception was deferred until after Status _{EXL} , Status _{ERL} , and Debug _{DM} were zero. This bit directly causes a watch exception, so software must clear this bit as part of the exception handler to prevent a watch exception loop at the end of the current handler execution.
WatchHi _{I,R,W}	Set for the watch channel that matched, and indicates which type of match there was.

Entry Vector Used:

General exception vector (offset 0x180)

6.8.9 Address Error Exception — Instruction Fetch/Data Access

An address error exception occurs on an instruction or data access when an attempt is made to execute one of the following:

- Fetch an instruction, load a word, or store a word that is not aligned on a word boundary
- Load or store a halfword that is not aligned on a halfword boundary
- Reference the kernel address space from user mode

Note that in the case of an instruction fetch that is not aligned on a word boundary, PC is updated before the condition is detected. Therefore, both *EPC* and *BadVAddr* point to the unaligned instruction address. In the case of a data access the exception is taken if either an unaligned address or an address that was inaccessible in the current processor mode was referenced by a load or store instruction.

Cause Register ExcCode Value:

ADEL: Reference was a load or an instruction fetch

ADES: Reference was a store

Additional State Saved:**Table 6-12 CP0 Register States on an Address Exception Error**

Register State	Value
BadVAddr	failing address
Context _{VPN2}	UNPREDICTABLE
EntryHi _{VPN2}	UNPREDICTABLE
EntryLo0	UNPREDICTABLE
EntryLo1	UNPREDICTABLE

Entry Vector Used:

General exception vector (offset 0x180)

6.8.10 TLB Refill Exception — Instruction Fetch or Data Access

During an instruction fetch or data access, a TLB refill exception occurs when no TLB entry matches a reference to a mapped address space and the EXL bit is 0 in the *Status* register. Note that this is distinct from the case in which an entry matches but has the valid bit off. In that case, a TLB Invalid exception occurs.

Cause Register ExcCode Value:

TLBL: Reference was a load or an instruction fetch

TLBS: Reference was a store

Additional State Saved:**Table 6-13 CP0 Register States on a TLB Refill Exception**

Register State	Value
BadVAddr	failing address.
Context	The BadVPN2 field contains VA _{31:13} of the failing address.
EntryHi	The VPN2 field contains VA _{31:13} of the failing address; the ASID field contains the ASID of the reference that missed.
EntryLo0	UNPREDICTABLE
EntryLo1	UNPREDICTABLE

Entry Vector Used:

TLB refill vector (offset 0x000) if Status_{EXL} = 0 at the time of exception;

general exception vector (offset 0x180) if Status_{EXL} = 1 at the time of exception

6.8.11 TLB Invalid Exception — Instruction Fetch or Data Access

During an instruction fetch or data access, a TLB invalid exception occurs in one of the following cases:

- No TLB entry matches a reference to a mapped address space; and the EXL bit is 1 in the *Status* register.

- A TLB entry matches a reference to a mapped address space, but the matched entry has the valid bit off.

Cause Register ExcCode Value:

TLBL: Reference was a load or an instruction fetch

TLBS: Reference was a store

Additional State Saved:

Table 6-14 CP0 Register States on a TLB Invalid Exception

Register State	Value
BadVAddr	failing address
Context	The BadVPN2 field contains VA _{31:13} of the failing address.
EntryHi	The VPN2 field contains VA _{31:13} of the failing address; the ASID field contains the ASID of the reference that missed.
EntryLo0	UNPREDICTABLE
EntryLo1	UNPREDICTABLE

Entry Vector Used:

General exception vector (offset 0x180)

6.8.12 Cache Error Exception

A cache error exception occurs when an instruction or data reference detects a cache tag or data error. This exception is not maskable. Because the error was in a cache, the exception vector is to an unmapped, uncached address. This exception can be imprecise and the ErrorEPC may not point to the instruction that saw the error

Cause Register ExcCode Value

N/A

Additional State Saved

Register State	Value
CacheErr	Error state
ErrorEPC	Restart PC

Entry Vector Used

Cache error vector (offset 16#100)

6.8.13 Bus Error Exception — Instruction Fetch or Data Access

A bus error exception occurs when an instruction or data access makes a bus request (due to a cache miss or an uncacheable reference) and that request terminates in an error. The bus error exception can occur on either an instruction fetch or a data read. Bus error exceptions cannot be generated on data writes. Bus error exceptions that occur on an instruction fetch have a higher priority than bus error exceptions that occur on a data access.

Instruction errors are precise, will Data bus errors can be imprecise. These errors are taken when the ERR code is returned on the *OC_SResp* input.

Cause Register ExcCode Value:

IBE: Error on an instruction reference

DBE: Error on a data reference

Additional State Saved:

None

Entry Vector Used:

General exception vector (offset 0x180)

6.8.14 Debug Software Breakpoint Exception

A debug software breakpoint exception occurs when an SDBBP instruction is executed. The *DEPC* register and DBD bit in the *Debug* register will indicate the SDBBP instruction that caused the debug exception.

Debug Register Debug Status Bit Set:

DBp

Additional State Saved:

None

Entry Vector Used:

Debug exception vector

6.8.15 Execution Exception — System Call

The system call exception is one of the execution exceptions. All of these exceptions have the same priority. A system call exception occurs when a SYSCALL instruction is executed.

Cause Register ExcCode Value:

Sys

Additional State Saved:

None

Entry Vector Used:

General exception vector (offset 0x180)

6.8.16 Execution Exception — Breakpoint

The breakpoint exception is one of the execution exceptions. All of these exceptions have the same priority. A breakpoint exception occurs when a BREAK instruction is executed.

Cause Register ExcCode Value:

Bp

Additional State Saved:

None

Entry Vector Used:

General exception vector (offset 0x180)

6.8.17 Execution Exception — Reserved Instruction

The reserved instruction exception is one of the execution exceptions. All of these exceptions have the same priority. A reserved instruction exception occurs when a reserved or undefined major opcode or function field is executed. This includes Coprocessor 2 instructions which are decoded reserved in the Coprocessor 2.

Cause Register ExcCode Value:

RI

Additional State Saved:

None

Entry Vector Used:

General exception vector (offset 0x180)

6.8.18 Execution Exception — Coprocessor Unusable

The coprocessor unusable exception is one of the execution exceptions. All of these exceptions have the same priority. A coprocessor unusable exception occurs when an attempt is made to execute a coprocessor instruction for one of the following:

- a corresponding coprocessor unit that has not been marked usable by setting its CU bit in the *Status* register
- CP0 instructions, when the unit has not been marked usable, and the processor is executing in user mode

Cause Register ExcCode Value:

CpU

Additional State Saved:**Table 6-15 Register States on a Coprocessor Unusable Exception**

Register State	Value
Cause _{CE}	unit number of the coprocessor being referenced

Entry Vector Used:

General exception vector (offset 0x180)

6.8.19 Execution Exception — CorExtend block Unusable

The CorExtend block unusable exception is one of the execution exceptions. All of these exceptions have the same priority. A CEU exception occurs when an attempt is made to execute a CorExtend instruction when the CEE bit in the *Status* register is not set. It is dependent on the implementation of the CorExtend block, but this exception should be taken on any CorExtend instruction that modifies local state within the CorExtend block and can optionally be taken on other CorExtend instructions.

Cause Register ExcCode Value:

CEU

Additional State Saved:

None

Entry Vector Used:

General exception vector (offset 0x180)

6.8.20 Execution Exception — DSP ASE State Disabled

The DSP ASE State Disabled exception an execution exception. It occurs when an attempt is made to execute a DSP ASE instruction when the MX bit in the *Status* register is not set. This allows an OS to do “lazy” context switching.

Cause Register ExcCode Value:

DSPDis

Additional State Saved:

None

Entry Vector Used:

General exception vector (offset 0x180)

6.8.21 Execution Exception — Floating Point Exception

A floating point exception is initiated by the floating point coprocessor.

Cause Register ExcCode Value:

FPE

Additional State Saved:**Table 6-16 Register States on a Floating Point Exception**

Register State	Value
FCSR	Indicates the cause of the floating point exception

Entry Vector Used:

General exception vector (offset 0x180)

6.8.22 Execution Exception — Integer Overflow

The integer overflow exception is one of the execution exceptions. All of these exceptions have the same priority. An integer overflow exception occurs when selected integer instructions result in a 2's complement overflow.

Cause Register ExcCode Value:

Ov

Additional State Saved:

None

Entry Vector Used:

General exception vector (offset 0x180)

6.8.23 Execution Exception — Trap

The trap exception is one of the execution exceptions. All of these exceptions have the same priority. A trap exception occurs when a trap instruction results in a TRUE value.

Cause Register ExcCode Value:

Tr

Additional State Saved:

None

Entry Vector Used:

General exception vector (offset 0x180)

6.8.24 Execution Exception — C2E

A C2E exception is signalled from the optional coprocessor2 block on a coprocessor instruction.

Cause Register ExcCode Value:

C2E

Additional State Saved:

None

Entry Vector Used:

General exception vector (offset 0x180)

6.8.25 Execution Exception — IS1

An IS1 exception is signalled from the optional coprocessor2 block on a coprocessor instruction.

Cause Register ExcCode Value:

IS1

Additional State Saved:

None

Entry Vector Used:

General exception vector (offset 0x180)

6.8.26 Debug Data Break Exception

A debug data break exception occurs when a data hardware breakpoint matches the load/store transaction of an executed load/store instruction. The *DEPC* register and *DBD* bit in the *Debug* register will indicate the load/store instruction that caused the data hardware breakpoint to match. The load/store instruction that caused the debug exception has not completed e.g. not updated the register file, and the instruction can be re-executed after returning from the debug handler.

Debug Register Debug Status Bit Set:

DDBL for a load instruction or DDBS for a store instruction

Additional State Saved:

None

Entry Vector Used:

Debug exception vector

6.8.27 TLB Modified Exception — Data Access

During a data access, a TLB modified exception occurs on a store reference to a mapped address if the following condition is true:

- The matching TLB entry is valid, but not dirty.

Cause Register ExcCode Value:

Mod

Additional State Saved:

Table 6-17 Register States on a TLB Modified Exception

Register State	Value
<i>BadVAddr</i>	failing address
<i>Context</i>	The BadVPN2 field contains VA _{31:13} of the failing address.
<i>EntryHi</i>	The VPN2 field contains VA _{31:13} of the failing address; the ASID field contains the ASID of the reference that missed.
<i>EntryLo0</i>	UNPREDICTABLE
<i>EntryLo1</i>	UNPREDICTABLE

Entry Vector Used:

General exception vector (offset 0x180)

6.9 Exception Handling and Servicing Flowcharts

The remainder of this chapter contains flowcharts for the following exceptions and guidelines for their handlers:

- General exceptions and their exception handler
- TLB miss exception and their exception handler

- Reset and NMI exceptions, and a guideline to their handler.
- Debug exceptions

Generally speaking, the exceptions are handled by hardware; the exceptions are then serviced by software. Note that unexpected debug exceptions to the debug exception vector at 0xBFC0_0200 may be viewed as a reserved instruction since uncontrolled execution of an SDBBP instruction caused the exception. The DERET instruction must be used at return from the debug exception handler, in order to leave debug mode and return to non-debug mode. The DERET instruction returns to the address in the *DEPC* register.

Exceptions other than Reset, NMI, or first-level TLB miss
 Note: Interrupts can be masked by IE or IMs and Watch is masked if EXL = 1

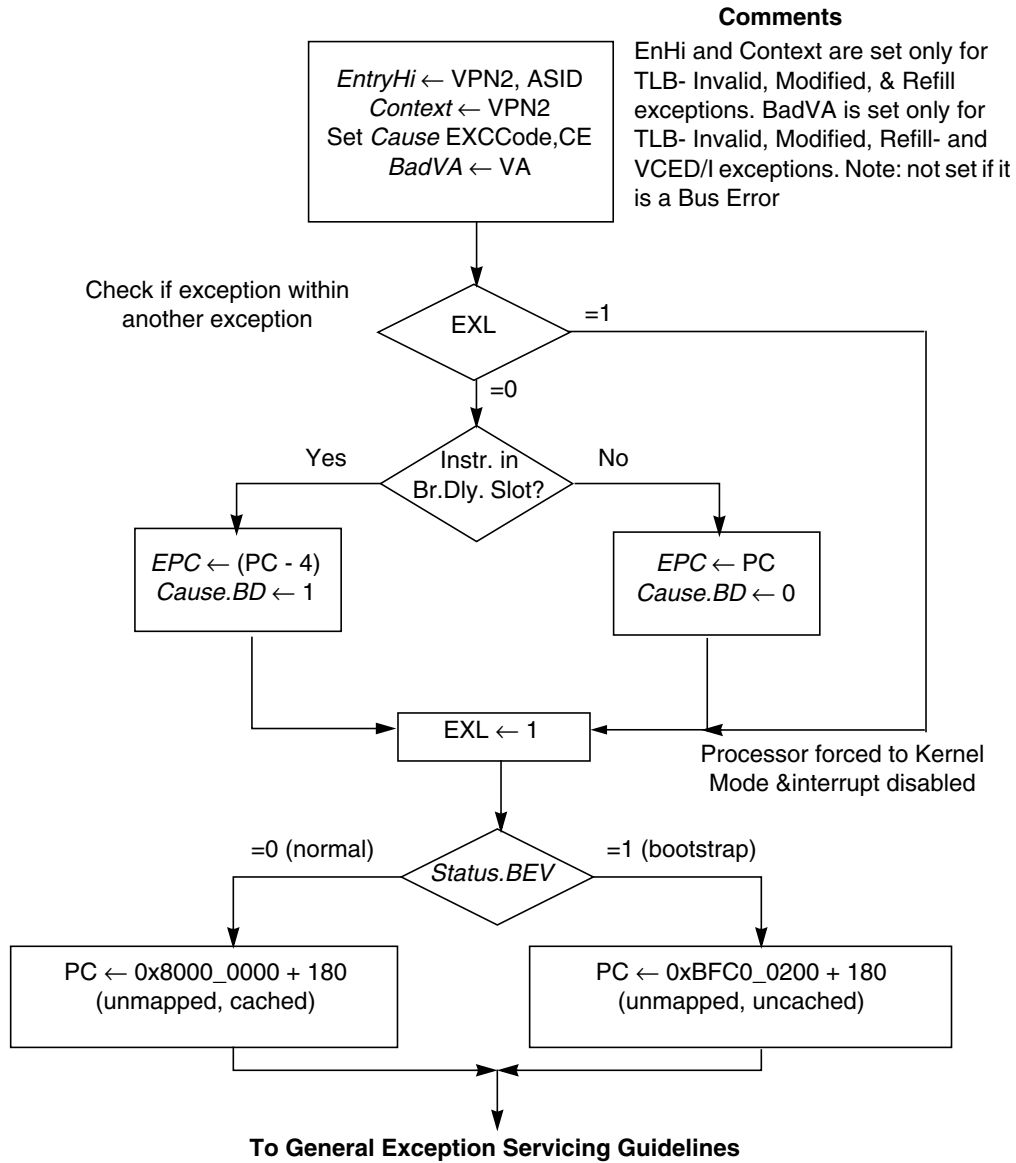


Figure 6-3 General Exception Handler (HW)

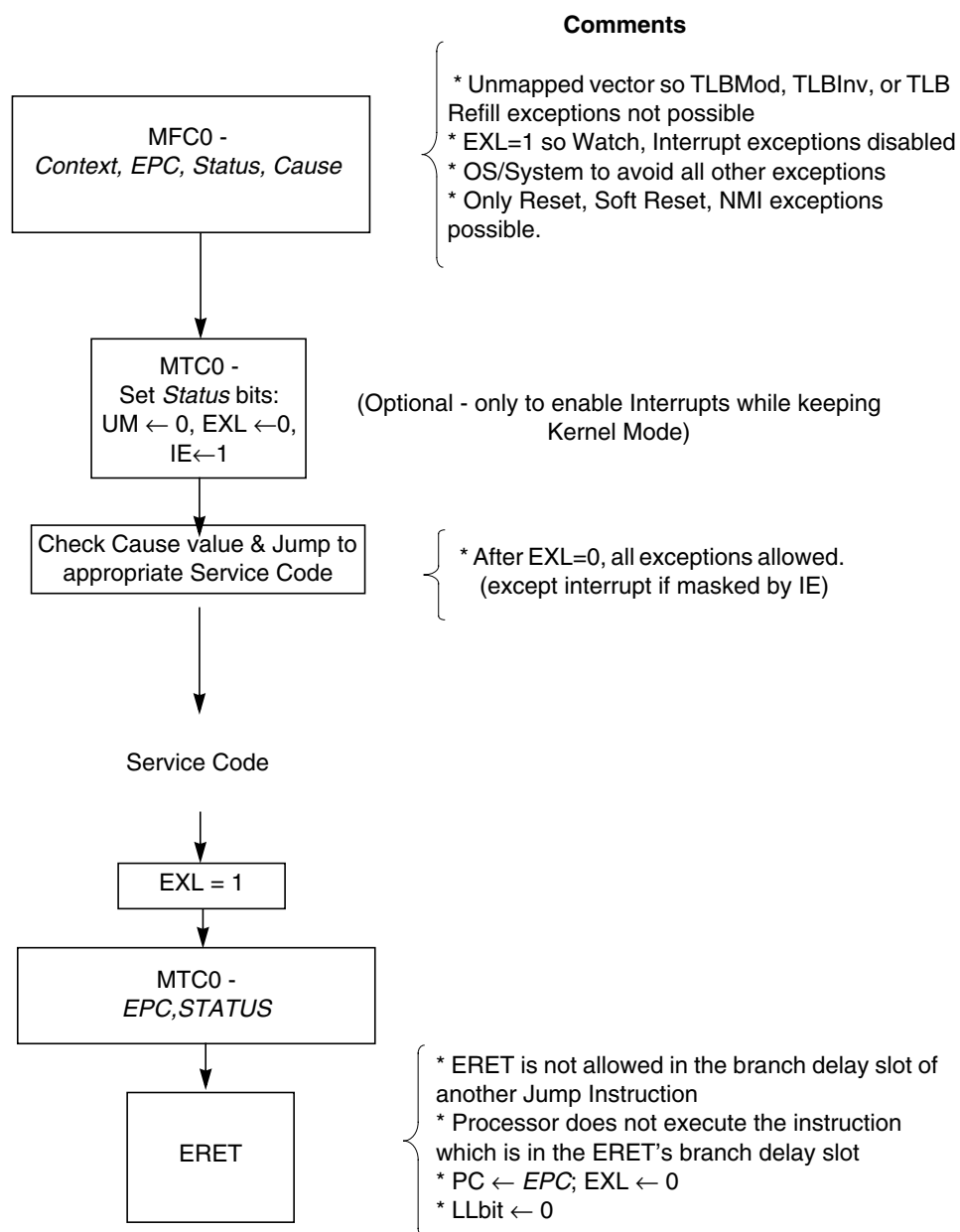


Figure 6-4 General Exception Servicing Guidelines (SW)

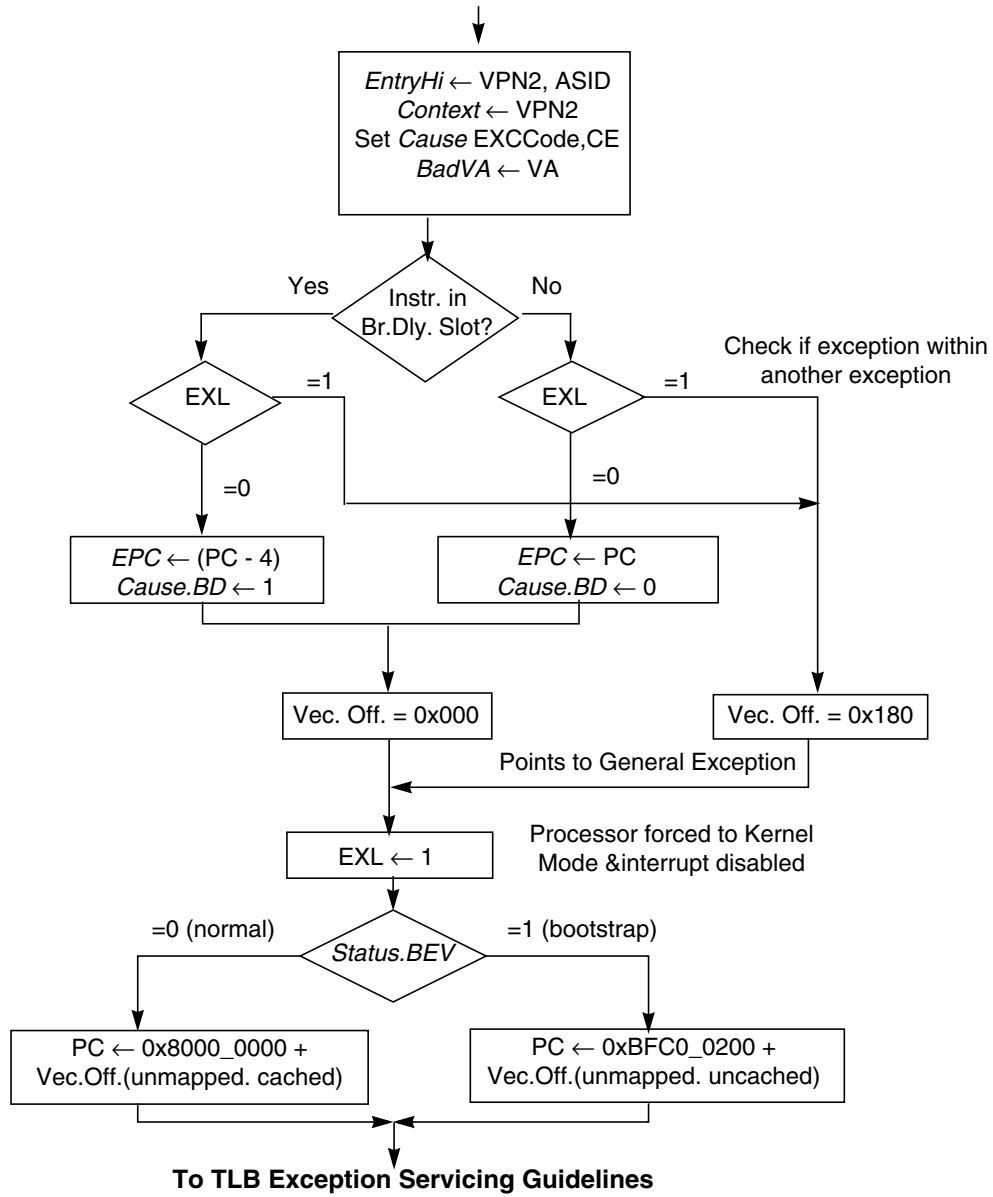


Figure 6-5 TLB Miss Exception Handler (HW)

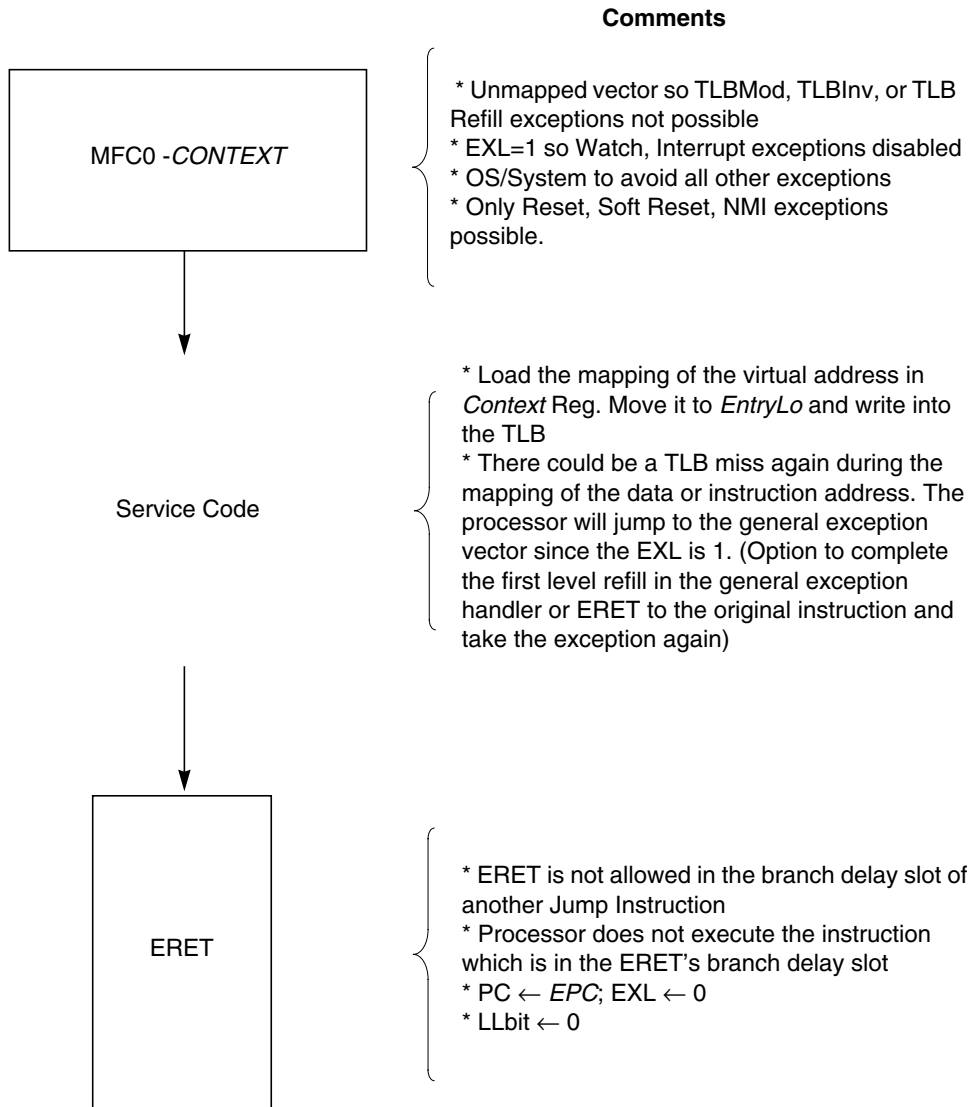


Figure 6-6 TLB Exception Servicing Guidelines (SW)

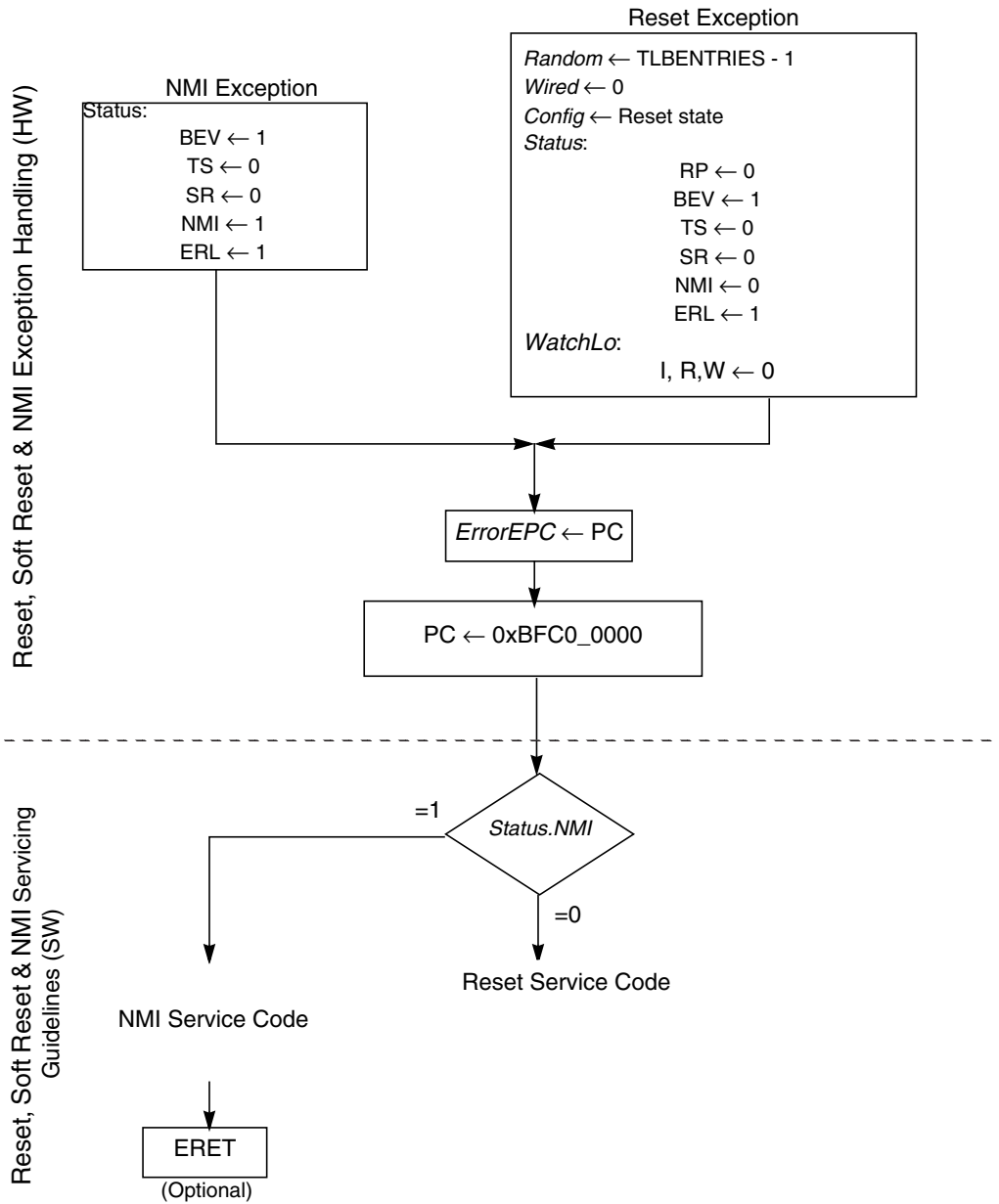


Figure 6-7 Reset and NMI Exception Handling and Servicing Guidelines

CP0 Registers of the 24KE™ Core

The System Control Coprocessor (CP0) provides the register interface to the 24KE™ processor core and supports memory management, address translation, exception handling, and other privileged operations. Each CP0 register has a unique number that identifies it; this number is referred to as the *register number*. For instance, the *PageMask* register is register number 5. For more information on the EJTAG registers, refer to [Chapter 11, “EJTAG Debug Support in the 24KE™ Core.”](#).

After updating a CP0 register there is a hazard period of zero or more instructions from the update instruction (MTC0) and until the effect of the update has taken place in the core. Refer to [Chapter 13, “24KE™ Processor Core Instructions,”](#) for further details on CP0 hazards.

The current chapter contains the following sections:

- [Section 7.1, "CP0 Register Summary" on page 136](#)
- [Section 7.2, "CP0 Register Descriptions" on page 138](#)

7.1 CP0 Register Summary

Table 7-1 lists the CP0 registers in numerical order. The individual registers are described throughout this chapter. Where more than one registers shares the same register number at different values of the “sel” field of the instruction, their names are listed using a slash (/) as separator.

Table 7-1 CP0 Registers

Register Number	Register Name	Function
0	Index ³	Index into the TLB array. This register is reserved if the TLB is not implemented.
1	Random ³	Randomly generated index into the TLB array. This register is reserved if the TLB is not implemented.
2	EntryLo0 ³	Low-order portion of the TLB entry for even-numbered virtual pages. This register is reserved if the TLB is not implemented.
3	EntryLo1 ³	Low-order portion of the TLB entry for odd-numbered virtual pages. This register is reserved if the TLB is not implemented.
4	Context ¹	Pointer to page table entry in memory. This register is reserved if the TLB is not implemented.
5	PageMask	PageMask controls the variable page sizes in TLB entries. This register is reserved if the TLB is not implemented.
6	Wired ³	Controls the number of fixed (“wired”) TLB entries. This register is reserved if the TLB is not implemented.
7	HWREna	Enables access via the RDHWR instruction to selected hardware registers in non-privileged mode.
8	BadVAddr ¹	Reports the address for the most recent address-related exception.
9	Count ¹	Processor cycle count.
10	EntryHi ³	High-order portion of the TLB entry. This register is reserved if the TLB is not implemented.
11	Compare ¹	Timer interrupt control.
12	Status/ IntCtl/ SRSCtl/ SRSSMap ¹	Processor status and control; interrupt control; and shadow set control.
13	Cause ¹	Cause of last exception.
14	EPC ¹	Program counter at last exception.
15	PRId/ EBase	Processor identification and revision; exception base address.
16	Config/ Config1/ Config2/ Config3/ Config7	Configuration registers.
17	Reserved	Reserved

Table 7-1 CP0 Registers (Continued)

Register Number	Register Name	Function
18	WatchLo0-3 ¹	Low-order watchpoint address.0,1 associated with instruction watchpoints, 2,3 with data watchpoints
19	WatchHi0-3 ¹	High-order watchpoint address. 0,1 used for instruction watchpoints, 2,3 used for data watchpoints
20 - 22	Reserved	Reserved
23	Debug/ TraceControl/ TraceControl2/ UserTraceData/ TraceIBPC ² / TraceDBPC	Debug control/exception status and MIPS Trace control.
24	DEPC ²	Program counter at last debug exception.
25	PerfCount	Performance Counter Registers
26	ErrCtl	Software test enable of way-select and Data RAM arrays for I-Cache and D-Cache.
27	CacheErr	Records information about cache parity errors
28	TagLo0-2/DataLo0-2	Low-order portion of cache tag interface. TagLo0/DataLo0: I-cache interface TagLo1/DataLo1: D-cache interface TagLo2/DataLo2: L2 cache interface
29	DataHi0	Upper bits for I-cache interface
30	ErrorEPC ¹	Program counter at last error.
31	DeSAVE ²	Debug handler scratchpad register.
<p>Note: 1. Registers used in exception processing.</p> <p>Note: 2. Registers used in debug.</p> <p>Note: 3. Registers used in memory management.</p>		

7.2 CP0 Register Descriptions

The CP0 registers provide the interface between the ISA and the architecture. Each register is discussed below, with the registers presented in numerical order, first by register number, then by select field number.

For each register described below, field descriptions include the read/write properties of the field, and the reset state of the field. For the read/write properties of the field, the following notation is used:

Table 7-2 CP0 Register Field Types

Read/Write Notation	Hardware Interpretation	Software Interpretation
R/W	<p>A field in which all bits are readable and writable by software and, potentially, by hardware.</p> <p>Hardware updates of this field are visible by software reads. Software updates of this field are visible by hardware reads.</p> <p>If the reset state of this field is “Undefined,” either software or hardware must initialize the value before the first read will return a predictable value. This should not be confused with the formal definition of UNDEFINED behavior.</p>	
R	<p>A field that is either static or is updated only by hardware.</p> <p>If the Reset State of this field is either “0” or “Preset”, hardware initializes this field to zero or to the appropriate state, respectively, on powerup.</p> <p>If the Reset State of this field is “Undefined”, hardware updates this field only under those conditions specified in the description of the field.</p>	<p>A field to which the value written by software is ignored by hardware. Software may write any value to this field without affecting hardware behavior. Software reads of this field return the last value updated by hardware.</p> <p>If the Reset State of this field is “Undefined,” software reads of this field result in an UNPREDICTABLE value except after a hardware update done under the conditions specified in the description of the field.</p>
W	<p>A field that can be written by software but which can not be read by software.</p> <p>Software reads of this field will return an UNDEFINED value.</p>	
0	<p>A field that hardware does not update, and for which hardware can assume a zero value.</p>	<p>A field to which the value written by software must be zero. Software writes of non-zero values to this field may result in UNDEFINED behavior of the hardware. Software reads of this field return zero as long as all previous software writes are zero.</p> <p>If the Reset State of this field is “Undefined,” software must write this field with zero before it is guaranteed to read as zero.</p>

7.2.1 Index Register (CP0 Register 0, Select 0)

The *Index* register is a 32-bit read/write register that contains the index used to access the TLB for TLBP, TLBR, and TLBWI instructions. The width of the index field is implementation-dependent as a function of the number of TLB entries that are implemented. The minimum value for TLB-based MMUs is $Ceiling(\log_2(TLBEentries))$.

The operation of the processor is UNDEFINED if a value greater than or equal to the number of TLB entries is written to the *Index* register.

This register is only valid with the TLB. It is reserved if the FM is implemented.

Figure 7-1 Index Register Format

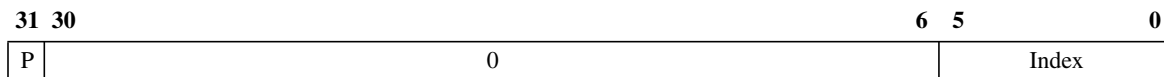


Table 7-3 Index Register Field Descriptions

Fields		Description	Read/Write	Reset State
Name	Bit(s)			
P	31	Probe Failure. Set to 1 when the previous TLBProbe (TLBP) instruction failed to find a match in the TLB.	R	Undefined
0	30:6	Must be written as zeros; returns zeros on reads.	0	0
Index	5:0	Index to the TLB entry affected by the TLBRead and TLBWrite instructions. For 16 or 32 entry TLBs, behavior is undefined if index points to a non-existent entry.	R/W	Undefined

7.2.2 Random Register (CP0 Register 1, Select 0)

The *Random* register is a read-only register whose value is used to index the TLB during a TLBWR instruction. The width of the Random field is calculated in the same manner as that described for the *Index* register above.

The value of the register varies between an upper and lower bound as follow:

- A lower bound is set by the number of TLB entries reserved for exclusive use by the operating system (the contents of the *Wired* register). The entry indexed by the *Wired* register is the first entry available to be written by a TLB Write Random operation.
- An upper bound is set by the total number of TLB entries minus 1.

The *Random* register is decremented by one almost every clock, wrapping after the value in the *Wired* register is reached. To enhance the level of randomness and reduce the possibility of a live lock condition, an LFSR register is used that prevents the decrement pseudo-randomly.

The processor initializes the *Random* register to the upper bound on a Reset exception and when the *Wired* register is written.

This register is only valid with the TLB. It is reserved if the FM is implemented.

Figure 7-2 Random Register Format

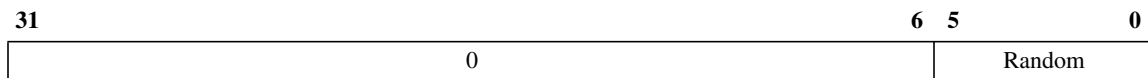


Table 7-4 Random Register Field Descriptions

Fields		Description	Read/ Write	Reset State
Name	Bit(s)			
0	31:6	Must be written as zero; returns zero on reads.	0	0
Random	5:0	TLB Random Index	R	TLB Entries - 1

7.2.3 EntryLo0 and EntryLo1 Registers (CP0 Registers 2 and 3, Select 0)

The pair of *EntryLo* registers act as the interface between the TLB and the TLBR, TLBWI, and TLBWR instructions. For a TLB-based MMU, *EntryLo0* holds the entries for even pages and *EntryLo1* holds the entries for odd pages.

The contents of the *EntryLo0* and *EntryLo1* registers are undefined after an address error, TLB invalid, TLB modified, or TLB refill exception.

These registers are only valid when the TLB-based memory management unit is present. They are reserved if the FM-style MMU is present.

Figure 7-3 EntryLo0, EntryLo1 Register Format

31	30	29	26	25					6	5	3	2	1	0
R	0		PFN							C	D	V	G	

Table 7-5 EntryLo0, EntryLo1 Register Field Descriptions

Fields		Description	Read/Write	Reset State
Name	Bit(s)			
R	31:30	Reserved. Should be ignored on writes; returns zero on reads.	R	0
0	29:26	These 4 bits are normally part of the PFN, however, since the core supports only 32 bits of physical address, the PFN is only 20 bits wide; therefore, bits 29:26 of this register must be written with zeros.	R/W	0
PFN	25:6	Page Frame Number. Contributes to the definition of the high-order bits of the physical address. The PFN field corresponds to bits 31..12 of the physical address.	R/W	Undefined
C	5:3	Coherency attribute of the page. See Table 7-6 .	R/W	Undefined
D	2	“Dirty” or write-enable bit, indicating that the page has been written, and/or is writable. If this bit is a one, then stores to the page are permitted. If this bit is a zero, then stores to the page cause a TLB Modified exception.	R/W	Undefined
V	1	Valid bit, indicating that the TLB entry, and thus the virtual page mapping are valid. If this bit is a one, then accesses to the page are permitted. If this bit is a zero, then accesses to the page cause a TLB Invalid exception	R/W	Undefined
G	0	Global bit. On a TLB write, the logical AND of the G bits in both the EntryLo0 and EntryLo1 register becomes the G bit in the TLB entry. If the TLB entry G bit is a one, then the ASID comparisons are ignored during TLB matches. On a read from a TLB entry, the G bits of both EntryLo0 and EntryLo1 reflect the state of the TLB G bit.	R/W	Undefined

[Table 7-6](#) lists the encoding of the C field of the *EntryLo0* and *EntryLo1* registers and the K0 field of the *Config* register.

Table 7-6 Cache Coherency Attributes

C[5:3] Value	Cache Coherency Attribute
0	Cacheable, noncoherent, write-through, no write allocate

Table 7-6 Cache Coherency Attributes

C[5:3] Value	Cache Coherency Attribute
1	Reserved
2	Uncached
3	Cacheable, noncoherent, write-back, write allocate
4,5,6	Reserved
7	Uncached Accelerated

7.2.4 Context Register (CP0 Register 4, Select 0)

The *Context* register is a read/write register containing a pointer to an entry in the page table entry (PTE) array. This array is an operating system data structure that stores virtual-to-physical translations. During a TLB miss, the operating system loads the TLB with the missing translation from the PTE array. The *Context* register duplicates some of the information provided in the *BadVAddr* register but is organized in such a way that the operating system can directly reference an 8-byte page table entry (PTE) in memory.

A TLB exception (TLB Refill, TLB Invalid, or TLB Modified) causes bits VA_{31:13} of the virtual address to be written into the BadVPN2 field of the *Context* register. The PTEBase field is written and used by the operating system.

The BadVPN2 field of the *Context* register is not defined after an address error exception.

Figure 7-4 Context Register Format

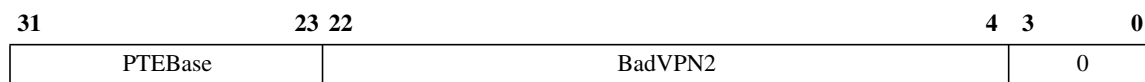


Table 7-7 Context Register Field Descriptions

Fields		Description	Read/ Write	Reset State
Name	Bit(s)			
PTEBase	31:23	This field is for use by the operating system and is normally written with a value that allows the operating system to use the Context Register as a pointer into the current PTE array in memory.	R/W	Undefined
BadVPN2	22:4	This field is written by hardware on a TLB miss. It contains bits VA _{31:13} of the virtual address that missed.	R	Undefined
0	3:0	Must be written as zero; returns zero on reads.	0	0

7.2.5 PageMask Register (CP0 Register 5, Select 0)

The *PageMask* register is a read/write register used for reading from and writing to the TLB. It holds a comparison mask that sets the variable page size for each TLB entry, as shown in Table 7-9. Figure 7-5 shows the format of the *PageMask* register; Table 7-8 describes the *PageMask* register fields.

This register is only valid with the TLB. It is reserved if the FM is implemented.

Figure 7-5 PageMask Register Format

31	29	28	13	12	0
0	Mask			0	

Table 7-8 PageMask Register Field Descriptions

Fields		Description	Read/Write	Reset State
Name	Bits			
Mask	28..13	The Mask field is a bit mask in which a “1” bit indicates that the corresponding bit of the virtual address should not participate in the TLB match.	R/W	Undefined
0	31..29, 12..0	Ignored on write; returns zero on read.	R	0

Table 7-9 Values for the Mask Field of the PageMask Register

Page Size	Bit															
	28	27	26	25	24	23	22	21	20	19	18	17	16	15	14	13
4 KBytes	0	0	0	0	0	0	0	0	0	0	0	0	0	0	0	0
16 KBytes	0	0	0	0	0	0	0	0	0	0	0	0	0	0	1	1
64 KBytes	0	0	0	0	0	0	0	0	0	0	0	0	1	1	1	1
256 KBytes	0	0	0	0	0	0	0	0	0	0	1	1	1	1	1	1
1 MByte	0	0	0	0	0	0	0	0	1	1	1	1	1	1	1	1
4 MByte	0	0	0	0	0	0	1	1	1	1	1	1	1	1	1	1
16 MByte	0	0	0	0	1	1	1	1	1	1	1	1	1	1	1	1
64 MByte	0	0	1	1	1	1	1	1	1	1	1	1	1	1	1	1
256 MByte	1	1	1	1	1	1	1	1	1	1	1	1	1	1	1	1

Software may determine which page sizes are supported by writing all ones to the *PageMask* register, then reading the value back. If a pair of bits reads back as ones, the processor implements that page size. The operation of the processor is **UNDEFINED** if software loads the Mask field with a value other than one of those listed in Table 7-9, even if the hardware returns a different value on read. Hardware may depend on this requirement in implementing hardware structures.

7.2.6 Wired Register (CP0 Register 6, Select 0)

The *Wired* register is a read/write register that specifies the boundary between the wired and random entries in the TLB as shown in Figure 7-6 on page 145. The width of the Wired field is calculated in the same manner as that described for the *Index* register above. Wired entries are fixed, non-replaceable entries that are not overwritten by a TLBWR instruction. Wired entries can be overwritten by a TLBWI instruction.

The *Wired* register is reset to zero by a Reset exception. Writing the *Wired* register causes the *Random* register to reset to its upper bound.

The operation of the processor is undefined if a value greater than or equal to the number of TLB entries is written to the *Wired* register.

This register is only valid with a TLB. It is reserved if the FM is implemented.

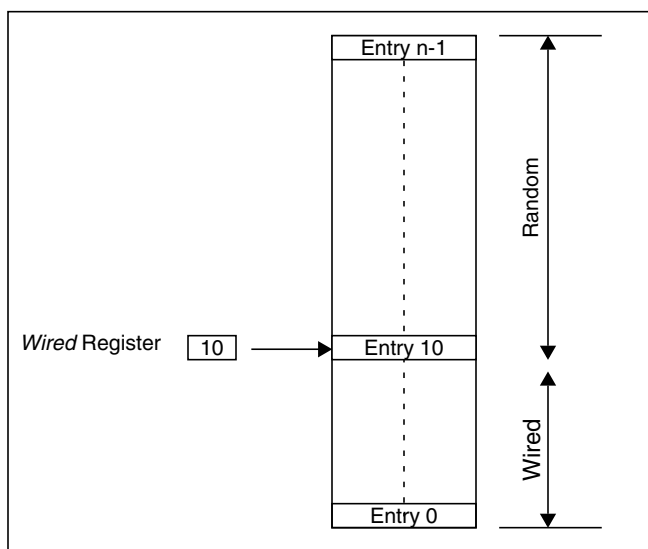


Figure 7-6 Wired and Random Entries in the TLB

Figure 7-7 Wired Register Format

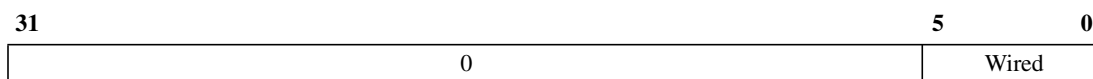


Table 7-10 Wired Register Field Descriptions

Fields		Description	Read/Write	Reset State
Name	Bit(s)			
0	31:6	Must be written as zero; returns zero on reads.	0	0
Wired	5:0	TLB wired boundary. For 16 and 32 entry TLBs, behavior is undefined if value is set to a value larger than last TLB entry.	R/W	0

7.2.7 HWREna Register (CP0 Register 7, Select 0)

The *HWREna* register contains a bit mask that determines which hardware registers are accessible via the RDHWR instruction.

Figure 7-8 shows the format of the *HWREna* Register; Table 7-11 describes the *HWREna* register fields.

Figure 7-8 HWREna Register Format

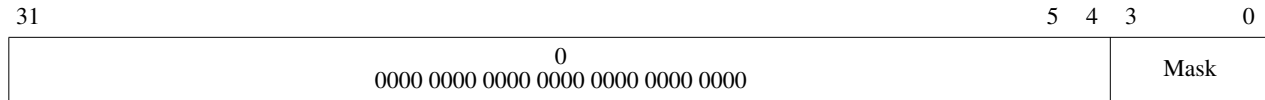


Table 7-11 HWREna Register Field Descriptions

Fields		Description	Read/Write	Reset State
Name	Bits			
0	31..4	Must be written with zero; returns zero on read	0	0
Mask	3..0	Each bit in this field enables access by the RDHWR instruction to a particular hardware register (which may not be an actual register). If bit 'n' in this field is a 1, access is enabled to hardware register 'n'. If bit 'n' of this field is a 0, access is disabled. See the RDHWR instruction for a list of valid hardware registers.	R/W	0

Privileged software may determine which of the hardware registers are accessible by the RDHWR instruction. In doing so, a register may be virtualized at the cost of handling a Reserved Instruction Exception, interpreting the instruction, and returning the virtualized value. For example, if it is not desirable to provide direct access to the *Count* register, access to that register may be individually disabled and the return value can be virtualized by the operating system.

7.2.8 *BadVAddr* Register (CP0 Register 8, Select 0)

The *BadVAddr* register is a read-only register that captures the most recent virtual address that caused one of the following exceptions:

- Address error (AdEL or AdES)
- TLB Refill
- TLB Invalid
- TLB Modified

The *BadVAddr* register does not capture address information for cache or bus errors, since they are not addressing errors.

Figure 7-9 *BadVAddr* Register Format

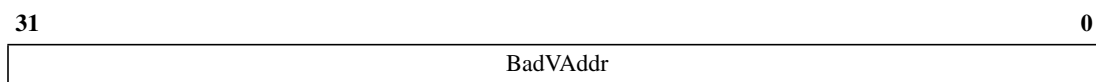


Table 7-12 *BadVAddr* Register Field Description

Fields		Description	Read/ Write	Reset State
Name	Bits			
BadVAddr	31:0	Bad virtual address.	R	Undefined

7.2.9 Count Register (CP0 Register 9, Select 0)

The *Count* register acts as a timer, incrementing at a constant rate, whether or not an instruction is executed, retired, or any forward progress is made through the pipeline. The counter increments every other clock, if the DC bit in the *Cause* register is 0.

The *Count* register can be written for functional or diagnostic purposes, including at reset or to synchronize processors.

By writing the CountDM bit in the *Debug* register, it is possible to control whether the *Count* register continues incrementing while the processor is in debug mode.

Figure 7-10 Count Register Format

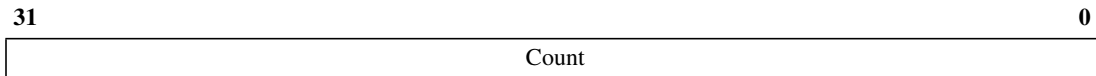


Table 7-13 Count Register Field Description

Fields		Description	Read/ Write	Reset State
Name	Bits			
Count	31:0	Interval counter.	R/W	Undefined

7.2.10 *EntryHi* Register (CP0 Register 10, Select 0)

The *EntryHi* register contains the virtual address match information used for TLB read, write, and access operations.

A TLB exception (TLB Refill, TLB Invalid, or TLB Modified) causes bits VA_{31..13} of the virtual address to be written into the VPN2 field of the *EntryHi* register. A TLBR instruction writes the *EntryHi* register with the corresponding fields from the selected TLB entry. The ASID field is written by software with the current address space identifier value and is used during the TLB comparison process to determine TLB match.

Because the ASID field is overwritten by a TLBR instruction, software must save and restore the value of ASID around use of the TLBR. This is especially important in TLB Invalid and TLB Modified exceptions, and in other memory management software.

The VPN2 field of the *EntryHi* register is not defined after an address error exception and this field may be modified by hardware during the address error exception sequence. Software writes of the *EntryHi* register (via MTC0) do not cause the implicit write of address-related fields in the *BadVAddr*, *Context* registers.

This register is only valid with the TLB. It is reserved if the FM is implemented.

Figure 7-11 *EntryHi* Register Format



Table 7-14 *EntryHi* Register Field Descriptions

Fields		Description	Read/ Write	Reset State
Name	Bits			
VPN2	31..13	VA _{31..13} of the virtual address (virtual page number / 2). This field is written by hardware on a TLB exception or on a TLB read, and is written by software before a TLB write.	R/W	Undefined
0	12..8	Must be written as zero; returns zero on read.	0	0
ASID	7..0	Address space identifier. This field is written by hardware on a TLB read and by software to establish the current ASID value for TLB write and against which TLB references match each entry's TLB ASID field.	R/W	Undefined

7.2.11 Compare Register (CP0 Register 11, Select 0)

The *Compare* register acts in conjunction with the *Count* register to implement a timer and timer interrupt function. The timer interrupt is an output of the cores. The *Compare* register maintains a stable value and does not change on its own.

When the value of the *Count* register equals the value of the *Compare* register, the SI_TimerInt pin is asserted. This pin will remain asserted until the *Compare* register is written. The SI_TimerInt pin can be fed back into the core on one of the interrupt pins to generate an interrupt. Traditionally, this has been done by multiplexing it with hardware interrupt 5 to set interrupt bit IP(7) in the *Cause* register.

For diagnostic purposes, the *Compare* register is a read/write register. In normal use, however, the *Compare* register is write-only. Writing a value to the *Compare* register, as a side effect, clears the timer interrupt.

Figure 7-12 Compare Register Format

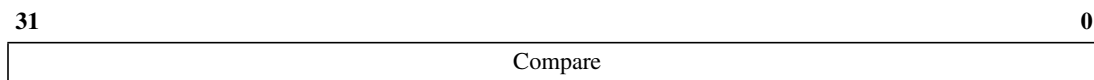


Table 7-15 Compare Register Field Description

Fields		Description	Read/ Write	Reset State
Name	Bit(s)			
Compare	31:0	Interval count compare value.	R/W	Undefined

7.2.12 Status Register (CP0 Register 12, Select 0)

The *Status* register is a read/write register that contains the operating mode, interrupt enabling, and the diagnostic states of the processor. Fields of this register combine to create operating modes for the processor. Refer to [Section 5.2, "Modes of Operation" on page 79](#) for a discussion of operating modes, and [Section 6.3, "Interrupts" on page 101](#) for a discussion of interrupt modes.

Interrupt Enable: Interrupts are enabled when all of the following conditions are true:

- IE = 1
- EXL = 0
- ERL = 0
- DM = 0

If these conditions are met, then the settings of the IM and IE bits enable the interrupts.

7.2.12.1 Operating Modes

Debug Mode

The processor is operating in Debug Mode if the DM bit in the CP0 *Debug* register is a one. If the processor is running in Debug Mode, it has full access to all resources that are available to Kernel Mode operation.

Kernel Mode

The processor is operating in Kernel Mode when the DM bit in the *Debug* register is a zero and any of the following three conditions is true:

- The KSU field in the CP0 *Status* register contains 2#00
- The EXL bit in the *Status* register is one
- The ERL bit in the *Status* register is one

The processor enters Kernel Mode at power-up, or as the result of an interrupt, exception, or error. The processor leaves Kernel Mode and enters User Mode or Supervisor Mode when all of the previous three conditions are false, usually as the result of an ERET instruction.

Supervisor Mode

The processor is operating in Supervisor Mode when all of the following conditions are true:

- The DM bit in the *Debug* register is a zero
- The KSU field in the *Status* register contains 2#01
- The EXL and ERL bits in the *Status* register are both zero

Supervisor mode is not supported with the Fixed Mapping MMU.

User Mode

The processor is operating in User Mode when all of the following conditions are true:

- The DM bit in the *Debug* register is a zero
- The KSU field in the *Status* register contains 2#10
- The EXL and ERL bits in the *Status* register are both zero

7.2.12.2 Coprocessor Accessibility

The *Status* register CU bits control coprocessor accessibility. If any coprocessor is unusable, then an instruction that accesses it generates an exception.

Figure 7-13 shows the format of the *Status* register; Table 7-16 describes the *Status* register fields.

Figure 7-13 Status Register Format

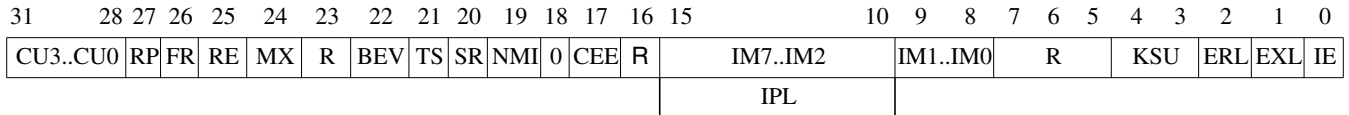


Table 7-16 Status Register Field Descriptions

Fields		Description	Read/Write	Reset State						
Name	Bits									
CU3	31	Reserved	R	0						
CU2	30	Controls access to Coprocessor 2 <table border="1" style="margin-left: 20px;"> <thead> <tr> <th>Encoding</th> <th>Meaning</th> </tr> </thead> <tbody> <tr> <td>0</td> <td>Access not allowed</td> </tr> <tr> <td>1</td> <td>Access allowed</td> </tr> </tbody> </table> This bit can only be written when a coprocessor 2 unit is present. This bit cannot be written and will read as 0 if coprocessor 2 unit is not present.	Encoding	Meaning	0	Access not allowed	1	Access allowed	R/W	Undefined
Encoding	Meaning									
0	Access not allowed									
1	Access allowed									
CU1	29	Controls access to Coprocessor 1 <table border="1" style="margin-left: 20px;"> <thead> <tr> <th>Encoding</th> <th>Meaning</th> </tr> </thead> <tbody> <tr> <td>0</td> <td>Access not allowed</td> </tr> <tr> <td>1</td> <td>Access allowed</td> </tr> </tbody> </table> This bit can only be written when the Floating Point Unit is present (24KEf core); in the 24KEc core, this bit cannot be written and will read as 0.	Encoding	Meaning	0	Access not allowed	1	Access allowed	R/W	Undefined
Encoding	Meaning									
0	Access not allowed									
1	Access allowed									
CU0	28	Controls access to coprocessor 0 <table border="1" style="margin-left: 20px;"> <thead> <tr> <th>Encoding</th> <th>Meaning</th> </tr> </thead> <tbody> <tr> <td>0</td> <td>Access not allowed</td> </tr> <tr> <td>1</td> <td>Access allowed</td> </tr> </tbody> </table> Coprocessor 0 is always usable when the processor is running in kernel mode, independent of the state of the CU0 bit.	Encoding	Meaning	0	Access not allowed	1	Access allowed	R/W	Undefined
Encoding	Meaning									
0	Access not allowed									
1	Access allowed									

Table 7-16 Status Register Field Descriptions

Fields		Description	Read/Write	Reset State						
Name	Bits									
RP	27	Enables reduced power mode. The state of the RP bit is available on the external core interface as the <i>SI_RP</i> signal.	R/W	0						
FR	26	<p>This bit is used to control the floating point register mode for 64-bit floating point units:</p> <table border="1"> <thead> <tr> <th>Encoding</th> <th>Meaning</th> </tr> </thead> <tbody> <tr> <td>0</td> <td>Floating point registers can contain any 32-bit datatype. 64-bit datatypes are stored in even-odd pairs of registers</td> </tr> <tr> <td>1</td> <td>Floating point registers can contain any datatype</td> </tr> </tbody> </table> <p>This bit must be ignored on write and read as zero under the following conditions</p> <ul style="list-style-type: none"> • No floating point unit is implemented • 64-bit floating point unit is not implemented 	Encoding	Meaning	0	Floating point registers can contain any 32-bit datatype. 64-bit datatypes are stored in even-odd pairs of registers	1	Floating point registers can contain any datatype	R/W	0
Encoding	Meaning									
0	Floating point registers can contain any 32-bit datatype. 64-bit datatypes are stored in even-odd pairs of registers									
1	Floating point registers can contain any datatype									
RE	25	<p>Used to enable reverse-endian memory references while the processor is running in user mode:</p> <table border="1"> <thead> <tr> <th>Encoding</th> <th>Meaning</th> </tr> </thead> <tbody> <tr> <td>0</td> <td>User mode uses configured endianness</td> </tr> <tr> <td>1</td> <td>User mode uses reversed endianness</td> </tr> </tbody> </table> <p>Neither Debug Mode nor Kernel Mode nor Supervisor Mode references are affected by the state of this bit.</p>	Encoding	Meaning	0	User mode uses configured endianness	1	User mode uses reversed endianness	R/W	Undefined
Encoding	Meaning									
0	User mode uses configured endianness									
1	User mode uses reversed endianness									
MX	24	Enables access to DSP ASE resources. An attempt to execute any DSP ASE instruction before this bit has been set to 1 will cause a DSP State Disabled exception.	R/W	Undefined						
R	23	Reserved. This field is ignored on write and read as 0.	R	0						
BEV	22	<p>Controls the location of exception vectors:</p> <table border="1"> <thead> <tr> <th>Encoding</th> <th>Meaning</th> </tr> </thead> <tbody> <tr> <td>0</td> <td>Normal</td> </tr> <tr> <td>1</td> <td>Bootstrap</td> </tr> </tbody> </table>	Encoding	Meaning	0	Normal	1	Bootstrap	R/W	1
Encoding	Meaning									
0	Normal									
1	Bootstrap									
TS	21	<p>TLB shutdown. Indicates that the TLB has detected a match on multiple entries. This bit is set if a TLBWI or TLBWR instruction is issued that would cause a TLB shutdown condition if allowed to complete. A machine check exception is also issued. This bit is reserved if the TLB is not implemented.</p> <p>Software can only write a 0 to this bit to clear it and cannot force a 0-1 transition</p>	R/W0	0						

Table 7-16 Status Register Field Descriptions

Fields		Description	Read/Write	Reset State						
Name	Bits									
SR	20	Indicates that the entry through the reset exception vector was due to a Soft Reset. Soft Reset is not supported on this processor and this bit is not writeable and will always read as 0	R	0						
NMI	19	Indicates that the entry through the reset exception vector was due to an NMI: <table border="1" data-bbox="544 499 1024 611"> <thead> <tr> <th>Encoding</th> <th>Meaning</th> </tr> </thead> <tbody> <tr> <td>0</td> <td>Not NMI (Reset)</td> </tr> <tr> <td>1</td> <td>NMI</td> </tr> </tbody> </table> <p>Software can only write a 0 to this bit to clear it and cannot force a 0-1 transition.</p>	Encoding	Meaning	0	Not NMI (Reset)	1	NMI	R/W0	1 for NMI; 0 otherwise
Encoding	Meaning									
0	Not NMI (Reset)									
1	NMI									
0	18	Must be written as zero; returns zero on read.	0	0						
CEE	17	CorExtend Enable: This bit is sent to the CorExtend block to be used to enable the CorExtend block. The usage of this signal by a CorExtend block is implementation dependent. This bit is reserved if CorExtend is not present.	R/W	Undefined						
R	16	Reserved. Ignored on write and read as zero.	R	0						
IM7..IM2	15..10	Interrupt Mask: Controls the enabling of each of the hardware interrupts. Refer to Section 6.3, "Interrupts" on page 101 for a complete discussion of enabled interrupts. An interrupt is taken if interrupts are enabled and the corresponding bits are set in both the Interrupt Mask field of the Status register and the Interrupt Pending field of the Cause register and the IE bit is set in the Status register. <table border="1" data-bbox="544 1207 1024 1318"> <thead> <tr> <th>Encoding</th> <th>Meaning</th> </tr> </thead> <tbody> <tr> <td>0</td> <td>Interrupt request disabled</td> </tr> <tr> <td>1</td> <td>Interrupt request enabled</td> </tr> </tbody> </table> <p>In implementations of Release 2 of the Architecture in which EIC interrupt mode is enabled (Config3_{VEIC} = 1), these bits take on a different meaning and are interpreted as the IPL field, described below.</p>	Encoding	Meaning	0	Interrupt request disabled	1	Interrupt request enabled	R/W	Undefined
Encoding	Meaning									
0	Interrupt request disabled									
1	Interrupt request enabled									
IPL	15..10	Interrupt Priority Level. In implementations of Release 2 of the Architecture in which EIC interrupt mode is enabled (Config3 _{VEIC} = 1), this field is the encoded (0..63) value of the current IPL. An interrupt will be signaled only if the requested IPL is higher than this value. If EIC interrupt mode is not enabled (Config3 _{VEIC} = 0), these bits take on a different meaning and are interpreted as the IM7..IM2 bits, described above.	R/W	Undefined						

Table 7-16 Status Register Field Descriptions

Fields		Description	Read/Write	Reset State										
Name	Bits													
IM1..IM0	9..8	<p>Interrupt Mask: Controls the enabling of each of the software interrupts. Refer to Section 6.3, "Interrupts" on page 101 for a complete discussion of enabled interrupts.</p> <table border="1"> <thead> <tr> <th>Encoding</th> <th>Meaning</th> </tr> </thead> <tbody> <tr> <td>0</td> <td>Interrupt request disabled</td> </tr> <tr> <td>1</td> <td>Interrupt request enabled</td> </tr> </tbody> </table> <p>In implementations of Release 2 of the Architecture in which EIC interrupt mode is enabled ($\text{Config3}_{\text{VEIC}} = 1$), these bits are writable, but have no effect on the interrupt system.</p>	Encoding	Meaning	0	Interrupt request disabled	1	Interrupt request enabled	R/W	Undefined				
Encoding	Meaning													
0	Interrupt request disabled													
1	Interrupt request enabled													
R	7..5	Reserved. This field is ignored on write and read as 0.	R	0										
KSU	4..3	<p>This field denotes the base operating mode of the processor. See Section 5.2, "Modes of Operation" on page 79 for a full discussion of operating modes. The encoding of this field is:</p> <table border="1"> <thead> <tr> <th>Encoding</th> <th>Meaning</th> </tr> </thead> <tbody> <tr> <td>00</td> <td>Base mode is Kernel Mode</td> </tr> <tr> <td>01</td> <td>Base mode is Supervisor Mode</td> </tr> <tr> <td>10</td> <td>Base mode is User Mode</td> </tr> <tr> <td>11</td> <td>Reserved</td> </tr> </tbody> </table> <p>Note that the processor can also be in kernel mode if ERL or EXL is set, regardless of the state of the KSU field.</p>	Encoding	Meaning	00	Base mode is Kernel Mode	01	Base mode is Supervisor Mode	10	Base mode is User Mode	11	Reserved	R/W	Undefined
Encoding	Meaning													
00	Base mode is Kernel Mode													
01	Base mode is Supervisor Mode													
10	Base mode is User Mode													
11	Reserved													
ERL	2	<p>Error Level; Set by the processor when a Reset, Soft Reset, NMI or Cache Error exception are taken.</p> <table border="1"> <thead> <tr> <th>Encoding</th> <th>Meaning</th> </tr> </thead> <tbody> <tr> <td>0</td> <td>Normal level</td> </tr> <tr> <td>1</td> <td>Error level</td> </tr> </tbody> </table> <p>When ERL is set:</p> <ul style="list-style-type: none"> • The processor is running in kernel mode • Interrupts are disabled • The ERET instruction will use the return address held in ErrorEPC instead of EPC • The lower 2^{29} bytes of kuseg are treated as an unmapped and uncached region. See Chapter 5, "Memory Management of the 24KE™ Core," on page 77. This allows main memory to be accessed in the presence of cache errors. The operation of the processor is UNDEFINED if the ERL bit is set while the processor is executing instructions from kuseg. 	Encoding	Meaning	0	Normal level	1	Error level	R/W	1				
Encoding	Meaning													
0	Normal level													
1	Error level													

Table 7-16 Status Register Field Descriptions

Fields		Description	Read/ Write	Reset State						
Name	Bits									
EXL	1	<p>Exception Level; Set by the processor when any exception other than Reset, Soft Reset, or NMI exceptions is taken.</p> <table border="1"> <thead> <tr> <th>Encoding</th> <th>Meaning</th> </tr> </thead> <tbody> <tr> <td>0</td> <td>Normal level</td> </tr> <tr> <td>1</td> <td>Exception level</td> </tr> </tbody> </table> <p>When EXL is set:</p> <ul style="list-style-type: none"> • The processor is running in Kernel Mode • Interrupts are disabled. • TLB Refill exceptions use the general exception vector instead of the TLB Refill vector. • EPC, Cause_{BD} and SRSCtl (implementations of Release 2 of the Architecture only) will not be updated if another exception is taken 	Encoding	Meaning	0	Normal level	1	Exception level	R/W	Undefined
Encoding	Meaning									
0	Normal level									
1	Exception level									
IE	0	<p>Interrupt Enable: Acts as the master enable for software and hardware interrupts:</p> <table border="1"> <thead> <tr> <th>Encoding</th> <th>Meaning</th> </tr> </thead> <tbody> <tr> <td>0</td> <td>Interrupts are disabled</td> </tr> <tr> <td>1</td> <td>Interrupts are enabled</td> </tr> </tbody> </table> <p>In Release 2 of the Architecture, this bit may be modified separately via the DI and EI instructions.</p>	Encoding	Meaning	0	Interrupts are disabled	1	Interrupts are enabled	R/W	Undefined
Encoding	Meaning									
0	Interrupts are disabled									
1	Interrupts are enabled									

7.2.13 IntCtl Register (CP0 Register 12, Select 1)

The *IntCtl* register controls the expanded interrupt capability added in Release 2 of the Architecture, including vectored interrupts and support for an external interrupt controller. This register does not exist in implementations of Release 1 of the Architecture.

Figure 7-14 shows the format of the *IntCtl* register; Table 7-17 describes the *IntCtl* register fields.

Figure 7-14 IntCtl Register Format

31	29	28	26	25	10	9	5	4	0
IPTI	IPPCI	0				VS		0	

Table 7-17 IntCtl Register Field Descriptions

Fields		Description	Read/ Write	Reset State																					
Name	Bits																								
IPTI	31..29	<p>For Interrupt Compatibility and Vectored Interrupt modes, this field specifies the IP number to which the Timer Interrupt request is merged, and allows software to determine whether to consider Cause_{TI} for a potential interrupt.</p> <table border="1" style="margin-left: auto; margin-right: auto;"> <thead> <tr> <th>Encoding</th> <th>IP bit</th> <th>Hardware Interrupt Source</th> </tr> </thead> <tbody> <tr> <td style="text-align: center;">2</td> <td style="text-align: center;">2</td> <td style="text-align: center;">HW0</td> </tr> <tr> <td style="text-align: center;">3</td> <td style="text-align: center;">3</td> <td style="text-align: center;">HW1</td> </tr> <tr> <td style="text-align: center;">4</td> <td style="text-align: center;">4</td> <td style="text-align: center;">HW2</td> </tr> <tr> <td style="text-align: center;">5</td> <td style="text-align: center;">5</td> <td style="text-align: center;">HW3</td> </tr> <tr> <td style="text-align: center;">6</td> <td style="text-align: center;">6</td> <td style="text-align: center;">HW4</td> </tr> <tr> <td style="text-align: center;">7</td> <td style="text-align: center;">7</td> <td style="text-align: center;">HW5</td> </tr> </tbody> </table> <p>The value of this bit is set by the static input, <i>SI_IPTI[2:0]</i>. This allows external logic to communicate the specific <i>SI_Int</i> hardware interrupt pin to which the <i>SI_TimerInt</i> signal is attached.</p> <p>The value of this field is not meaningful if External Interrupt Controller Mode is enabled. The external interrupt controller is expected to provide this information for that interrupt mode.</p>	Encoding	IP bit	Hardware Interrupt Source	2	2	HW0	3	3	HW1	4	4	HW2	5	5	HW3	6	6	HW4	7	7	HW5	R	Externally Set
Encoding	IP bit	Hardware Interrupt Source																							
2	2	HW0																							
3	3	HW1																							
4	4	HW2																							
5	5	HW3																							
6	6	HW4																							
7	7	HW5																							
IPPCI	28..26	<p>For Interrupt Compatibility and Vectored Interrupt modes, this field specifies the IP number to which the Performance Counter Interrupt request is merged, and allows software to determine whether to consider Cause_{PCI} for a potential interrupt.</p> <p>The value of this field is not meaningful if External Interrupt Controller Mode is enabled. The external interrupt controller is expected to provide this information for that interrupt mode.</p>	R	Externally Set																					
0	25..10	Must be written as zero; returns zero on read.	0	0																					

Table 7-17 IntCtl Register Field Descriptions

Fields		Description	Read/ Write	Reset State																					
Name	Bits																								
VS	9..5	Vector Spacing. If vectored interrupts are implemented (as denoted by Config3 _{VInt} or Config3 _{VEIC}), this field specifies the spacing between vectored interrupts.	R/W	0																					
		<table border="1"> <thead> <tr> <th>Encoding</th> <th>Spacing Between Vectors (hex)</th> <th>Spacing Between Vectors (decimal)</th> </tr> </thead> <tbody> <tr> <td>16#00</td> <td>16#000</td> <td>0</td> </tr> <tr> <td>16#01</td> <td>16#020</td> <td>32</td> </tr> <tr> <td>16#02</td> <td>16#040</td> <td>64</td> </tr> <tr> <td>16#04</td> <td>16#080</td> <td>128</td> </tr> <tr> <td>16#08</td> <td>16#100</td> <td>256</td> </tr> <tr> <td>16#10</td> <td>16#200</td> <td>512</td> </tr> </tbody> </table>			Encoding	Spacing Between Vectors (hex)	Spacing Between Vectors (decimal)	16#00	16#000	0	16#01	16#020	32	16#02	16#040	64	16#04	16#080	128	16#08	16#100	256	16#10	16#200	512
		Encoding			Spacing Between Vectors (hex)	Spacing Between Vectors (decimal)																			
		16#00			16#000	0																			
		16#01			16#020	32																			
		16#02			16#040	64																			
		16#04			16#080	128																			
		16#08			16#100	256																			
16#10	16#200	512																							
All other values are reserved. The operation of the processor is UNDEFINED if a reserved value is written to this field.																									
0	4..0	Must be written as zero; returns zero on read.	0	0																					

7.2.14 SRSCtl Register (CP0 Register 12, Select 2)

The *SRSCtl* register controls the operation of GPR shadow sets in the processor. This register does not exist in implementations of the architecture prior to Release 2.

Figure 7-15 shows the format of the *SRSCtl* register; Table 7-18 describes the *SRSCtl* register fields.

Figure 7-15 SRSCtl Register Format

31	30	29	26	25	22	21	18	17	16	15	12	11	10	9	6	5	4	3	0
0 00	HSS		0 00 00		EICSS		0 00		ESS		0 00		PSS		0 00		CSS		

Table 7-18 SRSCtl Register Field Descriptions

Fields		Description	Read/ Write	Reset State										
Name	Bits													
0	31..30	Must be written as zeros; returns zero on read.	0	0										
HSS	29..26	<p>Highest Shadow Set. This field contains the highest shadow set number that is implemented by this processor. A value of zero in this field indicates that only the normal GPRs are implemented.</p> <p>Possible values of this field for the 24KE processor are:</p> <table border="1" style="margin-left: 20px;"> <thead> <tr> <th>Encoding</th> <th>Meaning</th> </tr> </thead> <tbody> <tr> <td>0</td> <td>One shadow set (normal GPR set) is present.</td> </tr> <tr> <td>1</td> <td>Two shadow sets are present.</td> </tr> <tr> <td>3</td> <td>Four shadow sets are present.</td> </tr> <tr> <td>2, 3-15</td> <td>Reserved</td> </tr> </tbody> </table> <p>The value in this field also represents the highest value that can be written to the ESS, EICSS, PSS, and CSS fields of this register, or to any of the fields of the <i>SRSSMap</i> register. The operation of the processor is UNDEFINED if a value larger than the one in this field is written to any of these other fields.</p>	Encoding	Meaning	0	One shadow set (normal GPR set) is present.	1	Two shadow sets are present.	3	Four shadow sets are present.	2, 3-15	Reserved	R	Preset
Encoding	Meaning													
0	One shadow set (normal GPR set) is present.													
1	Two shadow sets are present.													
3	Four shadow sets are present.													
2, 3-15	Reserved													
0	25..22	Must be written as zeros; returns zero on read.	0	0										
EICSS	21..18	<p>EIC interrupt mode shadow set. If Config₃_{VEIC} is 1 (EIC interrupt mode is enabled), this field is loaded from the external interrupt controller for each interrupt request and is used in place of the <i>SRSSMap</i> register to select the current shadow set for the interrupt.</p> <p>See Section 6.3.1.3, "External Interrupt Controller Mode" on page 106 for a discussion of EIC interrupt mode. If Config₃_{VEIC} is 0, this field must be written as zero, and returns zero on read.</p>	R	Undefined										
0	17..16	Must be written as zeros; returns zero on read.	0	0										

Table 7-18 SRSCtl Register Field Descriptions

Fields		Description	Read/ Write	Reset State
Name	Bits			
ESS	15..12	Exception Shadow Set. This field specifies the shadow set to use on entry to Kernel Mode caused by any exception other than a vectored interrupt. The operation of the processor is UNDEFINED if software writes a value into this field that is greater than the value in the HSS field.	R/W	0
0	11..10	Must be written as zeros; returns zero on read.	0	0
PSS	9..6	Previous Shadow Set. If GPR shadow registers are implemented, and with the exclusions noted in the next paragraph, this field is copied from the CSS field when an exception or interrupt occurs. An ERET instruction copies this value back into the CSS field if Status _{BEV} = 0. This field is not updated on any exception which sets Status _{ERL} to 1 (i.e., Reset, Soft Reset, NMI, cache error), an entry into EJTAG Debug mode, or any exception or interrupt that occurs with Status _{EXL} = 1, or Status _{BEV} = 1. This field is not updated on an exception that occurs while Status _{ERL} = 1. The operation of the processor is UNDEFINED if software writes a value into this field that is greater than the value in the HSS field.	R/W	0
0	5..4	Must be written as zeros; returns zero on read.	0	0
CSS	3..0	Current Shadow Set. If GPR shadow registers are implemented, this field is the number of the current GPR set. With the exclusions noted in the next paragraph, this field is updated with a new value on any interrupt or exception, and restored from the PSS field on an ERET. Table 7-19 describes the various sources from which the CSS field is updated on an exception or interrupt. This field is not updated on any exception which sets Status _{ERL} to 1 (i.e., Reset, Soft Reset, NMI, cache error), an entry into EJTAG Debug mode, or any exception or interrupt that occurs with Status _{EXL} = 1, or Status _{BEV} = 1. Neither is it updated on an ERET with Status _{ERL} = 1 or Status _{BEV} = 1. This field is not updated on an exception that occurs while Status _{ERL} = 1. The value of CSS can be changed directly by software only by writing the PSS field and executing an ERET instruction.	R	0

Table 7-19 Sources for new SRSCtl_{CSS} on an Exception or Interrupt

Exception Type	Condition	SRSCtl _{CSS} Source	Comment
Exception	All	SRSCtl _{ESS}	
Non-Vectored Interrupt	Cause _{IV} = 0	SRSCtl _{ESS}	Treat as exception

Table 7-19 Sources for new SRSCtl_{CSS} on an Exception or Interrupt

Exception Type	Condition	SRSCtl _{CSS} Source	Comment
Vectored Interrupt	Cause _{IV} = 1 and Config _{3VEIC} = 0 and Config _{3VInt} = 1	SRSMap _{VECTNUM}	Source is internal map register. (for VECTNUM see Table 6-4)
Vectored EIC Interrupt	Cause _{IV} = 1 and Config _{3VEIC} = 1	SRSCtl _{EICSS}	Source is external interrupt controller.

7.2.15 *SRSMap* Register (CP0 Register 12, Select 3)

The *SRSMap* register contains 8 4-bit fields that provide the mapping from an vector number to the shadow set number to use when servicing such an interrupt. The values from this register are not used for a non-interrupt exception, or a non-vectored interrupt ($\text{Cause}_{IV} = 0$ or $\text{IntCtl}_{VS} = 0$). In such cases, the shadow set number comes from SRSCtl_{ESS} .

If SRSCtl_{HSS} is zero, the results of a software read or write of this register are **UNPREDICTABLE**.

The operation of the processor is **UNDEFINED** if a value is written to any field in this register that is greater than the value of SRSCtl_{HSS} .

The *SRSMap* register contains the shadow register set numbers for vector numbers 7..0. The same shadow set number can be established for multiple interrupt vectors, creating a many-to-one mapping from a vector to a single shadow register set number.

Figure 7-16 shows the format of the *SRSMap* register; Table 7-20 describes the *SRSMap* register fields.

Figure 7-16 *SRSMap* Register Format

31	28	27	24	23	20	19	16	15	12	11	8	7	4	3	0
SSV7	SSV6		SSV5		SSV4		SSV3		SSV2		SSV1		SSV0		

Table 7-20 *SRSMap* Register Field Descriptions

Fields		Description	Read/ Write	Reset State
Name	Bits			
SSV7	31..28	Shadow register set number for Vector Number 7	R/W	0
SSV6	27..24	Shadow register set number for Vector Number 6	R/W	0
SSV5	23..20	Shadow register set number for Vector Number 5	R/W	0
SSV4	19..16	Shadow register set number for Vector Number 4	R/W	0
SSV3	15..12	Shadow register set number for Vector Number 3	R/W	0
SSV2	11..8	Shadow register set number for Vector Number 2	R/W	0
SSV1	7..4	Shadow register set number for Vector Number 1	R/W	0
SSV0	3..0	Shadow register set number for Vector Number 0	R/W	0

7.2.16 Cause Register (CP0 Register 13, Select 0)

The *Cause* register primarily describes the cause of the most recent exception. In addition, fields also control software interrupt requests and the vector through which interrupts are dispatched. With the exception of the IP_{1..0}, DC, IV, and WP fields, all fields in the *Cause* register are read-only. Release 2 of the Architecture added optional support for an External Interrupt Controller (EIC) interrupt mode, in which IP_{7..2} are interpreted as the Requested Interrupt Priority Level (RIPL).

Figure 7-17 shows the format of the *Cause* register; Table 7-21 describes the *Cause* register fields.

Figure 7-17 Cause Register Format

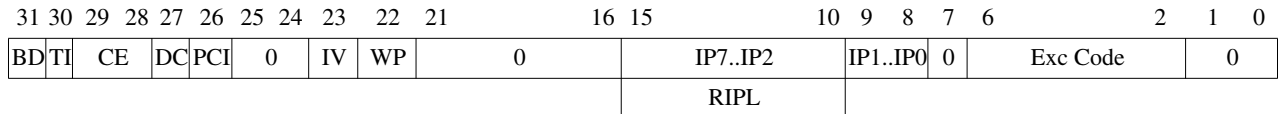


Table 7-21 Cause Register Field Descriptions

Fields		Description	Read/ Write	Reset State						
Name	Bits									
BD	31	<p>Indicates whether the last exception taken occurred in a branch delay slot:</p> <table border="1"> <thead> <tr> <th>Encoding</th> <th>Meaning</th> </tr> </thead> <tbody> <tr> <td>0</td> <td>Not in delay slot</td> </tr> <tr> <td>1</td> <td>In delay slot</td> </tr> </tbody> </table> <p>The processor updates BD only if Status_{EXL} was zero when the exception occurred.</p>	Encoding	Meaning	0	Not in delay slot	1	In delay slot	R	Undefined
Encoding	Meaning									
0	Not in delay slot									
1	In delay slot									
TI	30	<p>Timer Interrupt. This bit denotes whether a timer interrupt is pending (analogous to the IP bits for other interrupt types):</p> <table border="1"> <thead> <tr> <th>Encoding</th> <th>Meaning</th> </tr> </thead> <tbody> <tr> <td>0</td> <td>No timer interrupt is pending</td> </tr> <tr> <td>1</td> <td>Timer interrupt is pending</td> </tr> </tbody> </table> <p>The state of the TI bit is available on the external core interface as the <i>SI_TimerInt</i> signal.</p>	Encoding	Meaning	0	No timer interrupt is pending	1	Timer interrupt is pending	R	Undefined
Encoding	Meaning									
0	No timer interrupt is pending									
1	Timer interrupt is pending									
CE	29..28	<p>Coprocessor unit number referenced when a Coprocessor Unusable exception is taken. This field is loaded by hardware on every exception, but is UNPREDICTABLE for all exceptions except for Coprocessor Unusable.</p>	R	Undefined						

Table 7-21 Cause Register Field Descriptions

Fields		Description	Read/Write	Reset State						
Name	Bits									
DC	27	<p>Disable <i>Count</i> register. In some power-sensitive applications, the <i>Count</i> register is not used and is the source of meaningful power dissipation. This bit allows the <i>Count</i> register to be stopped in such situations.</p> <table border="1"> <thead> <tr> <th>Encoding</th> <th>Meaning</th> </tr> </thead> <tbody> <tr> <td>0</td> <td>Enable counting of <i>Count</i> register</td> </tr> <tr> <td>1</td> <td>Disable counting of <i>Count</i> register</td> </tr> </tbody> </table>	Encoding	Meaning	0	Enable counting of <i>Count</i> register	1	Disable counting of <i>Count</i> register	R/W	0
Encoding	Meaning									
0	Enable counting of <i>Count</i> register									
1	Disable counting of <i>Count</i> register									
PCI	26	<p>Performance Counter Interrupt. In an implementation of Release 2 of the Architecture, this bit denotes whether a performance counter interrupt is pending (analogous to the IP bits for other interrupt types):</p> <table border="1"> <thead> <tr> <th>Encoding</th> <th>Meaning</th> </tr> </thead> <tbody> <tr> <td>0</td> <td>No performance counter interrupt is pending</td> </tr> <tr> <td>1</td> <td>Performance counter interrupt is pending</td> </tr> </tbody> </table> <p>The state of the PCI bit is available on the external core interface as the <i>SI_PCInt</i> signal.</p>	Encoding	Meaning	0	No performance counter interrupt is pending	1	Performance counter interrupt is pending	R	Undefined
Encoding	Meaning									
0	No performance counter interrupt is pending									
1	Performance counter interrupt is pending									
IV	23	<p>Indicates whether an interrupt exception uses the general exception vector or a special interrupt vector:</p> <table border="1"> <thead> <tr> <th>Encoding</th> <th>Meaning</th> </tr> </thead> <tbody> <tr> <td>0</td> <td>Use the general exception vector (16#180)</td> </tr> <tr> <td>1</td> <td>Use the special interrupt vector (16#200)</td> </tr> </tbody> </table> <p>In implementations of Release 2 of the architecture, if the <i>Cause_{IV}</i> is 1 and <i>Status_{BEV}</i> is 0, the special interrupt vector represents the base of the vectored interrupt table.</p>	Encoding	Meaning	0	Use the general exception vector (16#180)	1	Use the special interrupt vector (16#200)	R/W	Undefined
Encoding	Meaning									
0	Use the general exception vector (16#180)									
1	Use the special interrupt vector (16#200)									
WP	22	<p>Indicates that a watch exception was deferred because <i>Status_{EXL}</i> or <i>Status_{ERL}</i> were a one at the time the watch exception was detected. This bit both indicates that the watch exception was deferred, and causes the exception to be initiated once <i>Status_{EXL}</i> and <i>Status_{ERL}</i> are both zero. As such, software must clear this bit as part of the watch exception handler to prevent a watch exception loop.</p> <p>Software should not write a 1 to this bit when its value is a 0, thereby causing a 0-to-1 transition. If such a transition is caused by software, it is UNPREDICTABLE whether hardware ignores the write, accepts the write with no side effects, or accepts the write and initiates a watch exception once <i>Status_{EXL}</i> and <i>Status_{ERL}</i> are both zero.</p>	R/W	Undefined						

Table 7-21 Cause Register Field Descriptions

Fields		Description	Read/Write	Reset State																					
Name	Bits																								
IP7..IP2	15..10	<p>Indicates an interrupt is pending:</p> <table border="1"> <thead> <tr> <th>Bit</th> <th>Name</th> <th>Meaning</th> </tr> </thead> <tbody> <tr> <td>15</td> <td>IP7</td> <td>Hardware interrupt 5</td> </tr> <tr> <td>14</td> <td>IP6</td> <td>Hardware interrupt 4</td> </tr> <tr> <td>13</td> <td>IP5</td> <td>Hardware interrupt 3</td> </tr> <tr> <td>12</td> <td>IP4</td> <td>Hardware interrupt 2</td> </tr> <tr> <td>11</td> <td>IP3</td> <td>Hardware interrupt 1</td> </tr> <tr> <td>10</td> <td>IP2</td> <td>Hardware interrupt 0</td> </tr> </tbody> </table> <p>If EIC interrupt mode is not enabled ($\text{Config3}_{\text{VEIC}} = 0$), timer interrupts are combined in a system-dependent way with any hardware interrupt. If EIC interrupt mode is enabled ($\text{Config3}_{\text{VEIC}} = 1$), these bits take on a different meaning and are interpreted as the RIPL field, described below.</p> <p>See Section 6.3, "Interrupts" on page 101 for a general description of interrupt processing.</p>	Bit	Name	Meaning	15	IP7	Hardware interrupt 5	14	IP6	Hardware interrupt 4	13	IP5	Hardware interrupt 3	12	IP4	Hardware interrupt 2	11	IP3	Hardware interrupt 1	10	IP2	Hardware interrupt 0	R	Undefined
Bit	Name	Meaning																							
15	IP7	Hardware interrupt 5																							
14	IP6	Hardware interrupt 4																							
13	IP5	Hardware interrupt 3																							
12	IP4	Hardware interrupt 2																							
11	IP3	Hardware interrupt 1																							
10	IP2	Hardware interrupt 0																							
RIPL	15..10	<p>Requested Interrupt Priority Level.</p> <p>If EIC interrupt mode is enabled ($\text{Config3}_{\text{VEIC}} = 1$), this field is the encoded (0..63) value of the requested interrupt. A value of zero indicates that no interrupt is requested.</p> <p>If EIC interrupt mode is not enabled ($\text{Config3}_{\text{VEIC}} = 0$), these bits take on a different meaning and are interpreted as the IP7..IP2 bits, described above.</p>	R	Undefined																					
IP1..IP0	9..8	<p>Controls the request for software interrupts:</p> <table border="1"> <thead> <tr> <th>Bit</th> <th>Name</th> <th>Meaning</th> </tr> </thead> <tbody> <tr> <td>9</td> <td>IP1</td> <td>Request software interrupt 1</td> </tr> <tr> <td>8</td> <td>IP0</td> <td>Request software interrupt 0</td> </tr> </tbody> </table> <p>These bits are exported to an external interrupt controller for prioritization in EIC interrupt mode with other interrupt sources. The state of these bits is available on the external core interface as the <i>SI_SWInt[1:0]</i> bus.</p>	Bit	Name	Meaning	9	IP1	Request software interrupt 1	8	IP0	Request software interrupt 0	R/W	Undefined												
Bit	Name	Meaning																							
9	IP1	Request software interrupt 1																							
8	IP0	Request software interrupt 0																							
ExcCode	6..2	Exception code - see Table 7-22	R	Undefined																					
0	25..24, 21..16, 7, 1..0	Must be written as zero; returns zero on read.	0	0																					

Table 7-22 Cause Register ExcCode Field

Exception Code Value		Mnemonic	Description
Decimal	Hexadecimal		
0	16#00	Int	Interrupt
1	16#01	Mod	TLB modification exception
2	16#02	TLBL	TLB exception (load or instruction fetch)
3	16#03	TLBS	TLB exception (store)
4	16#04	AdEL	Address error exception (load or instruction fetch)
5	16#05	AdES	Address error exception (store)
6	16#06	IBE	Bus error exception (instruction fetch)
7	16#07	DBE	Bus error exception (data reference: load or store)
8	16#08	Sys	Syscall exception
9	16#09	Bp	Breakpoint exception. If an SDBBP instruction is executed while the processor is running in EJTAG Debug Mode, this value is written to the Debug _{DExcCode} field to denote an SDBBP in Debug Mode.
10	16#0a	RI	Reserved instruction exception
11	16#0b	CpU	Coprocessor Unusable exception
12	16#0c	Ov	Arithmetic Overflow exception
13	16#0d	Tr	Trap exception
14	16#0e	-	Reserved
15	16#0f	FPE	Floating point exception
16	16#10	IS1	Coprocessor 2 implementation specific exception
17	16#11	CEU	CorExtend Unusable
18	16#12	C2E	Precise Coprocessor 2 exception
19-22	16#13-16#16	-	Reserved
23	16#17	WATCH	Reference to WatchHi/WatchLo address
24	16#18	MCheck	Machine check
25	16#19	-	Reserved
26	16#1a	DSPDis	DSP ASE State Disabled exception
27-29	16#1b-16#1d	-	Reserved
30	16#1e	CacheErr	Cache error. In normal mode, a cache error exception has a dedicated vector and the Cause register is not updated. If a cache error occurs while in Debug Mode, this code is written to the Debug _{DExcCode} field to indicate that re-entry to Debug Mode was caused by a cache error.
31	16#1f	-	Reserved

7.2.17 Exception Program Counter (CP0 Register 14, Select 0)

The Exception Program Counter (*EPC*) is a read/write register that contains the address at which processing resumes after an exception has been serviced. All bits of the *EPC* register are significant and must be writable.

For synchronous (precise) exceptions, the *EPC* contains one of the following:

- The virtual address of the instruction that was the direct cause of the exception
- The virtual address of the immediately preceding branch or jump instruction, when the exception causing instruction is in a branch delay slot and the *Branch Delay* bit in the *Cause* register is set.

On new exceptions, the processor does not write to the *EPC* register when the EXL bit in the *Status* register is set, however, the register can still be written via the MTC0 instruction.

In processors that implement the MIPS16 ASE, a read of the *EPC* register (via MFC0) returns the following value in the destination GPR:

$$\text{GPR}[\text{rt}] \leftarrow \text{ExceptionPC}_{31..1} \parallel \text{ISAMode}_0$$

That is, the upper 31 bits of the exception PC are combined with the lower bit of the ISAMode field and written to the GPR.

Similarly, a write to the *EPC* register (via MTC0) takes the value from the GPR and distributes that value to the exception PC and the ISAMode field, as follows

$$\begin{aligned} \text{ExceptionPC} &\leftarrow \text{GPR}[\text{rt}]_{31..1} \parallel 0 \\ \text{ISAMode} &\leftarrow 2\#0 \parallel \text{GPR}[\text{rt}]_0 \end{aligned}$$

That is, the upper 31 bits of the GPR are written to the upper 31 bits of the exception PC, and the lower bit of the exception PC is cleared. The upper bit of the ISAMode field is cleared and the lower bit is loaded from the lower bit of the GPR.

Figure 7-18 EPC Register Format

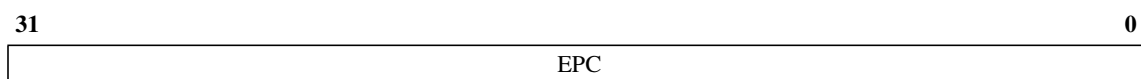


Table 7-23 EPC Register Field Description

Fields		Description	Read/Write	Reset State
Name	Bit(s)			
EPC	31:0	Exception Program Counter.	R/W	Undefined

7.2.18 Processor Identification (CP0 Register 15, Select 0)

The Processor Identification (*PRId*) register is a 32 bit read-only register that contains information identifying the manufacturer, manufacturer options, processor identification, and revision level of the processor.

Figure 7-19 *PRId* Register Format

31	24 23	16 15	8 7	5 4	2 1 0
CompanyOption		Company ID	Processor ID	Revision	

Table 7-24 *PRId* Register Field Descriptions

Fields		Description	Read/ Write	Reset State
Name	Bit(s)			
CompanyOption	31:24	Implementation specific values	R	Preset
Company ID	23:16	Identifies the company that designed or manufactured the processor. In the 24KE this field contains a value of 1 to indicate MIPS Technologies, Inc.	R	1
Processor ID	15:8	Identifies the type of processor. This field allows software to distinguish between the various types of MIPS Technologies processors.	R	0x93
Revision	7:0	Specifies the revision number of the processor. This field allows software to distinguish between one revision and another of the same processor type. This field is broken up into the following three subfields	R	Preset
Major Revision	7:5	This number is increased on major revisions of the processor core	R	Preset
Minor Revision	4:2	This number is increased on each incremental revision of the processor and reset on each new major revision	R	Preset
Patch Level	1:0	If a patch is made to modify an older revision of the processor, this field will be incremented	R	Preset

7.2.19 EBase Register (CP0 Register 15, Select 1)

The *EBase* register is a read/write register containing the base address of the exception vectors used when Status_{BEV} equals 0, and a read-only CPU number value that may be used by software to distinguish different processors in a multi-processor system.

The *EBase* register provides the ability for software to identify the specific processor within a multi-processor system, and allows the exception vectors for each processor to be different, especially in systems composed of heterogeneous processors. Bits 31:12 of the *EBase* register are concatenated with zeros to form the base of the exception vectors when Status_{BEV} is 0. The exception vector base address comes from the fixed defaults (see Section 6.5, "Exception Vector Locations" on page 111) when Status_{BEV} is 1, or for any EJTAG Debug exception. The reset state of bits 31:12 of the *EBase* register initialize the exception base register to 16#8000.0000, providing backward compatibility with Release 1 implementations.

Bits 31:30 of the *EBase* Register are fixed with the value 2#10 to force the exception base address to be in the kseg0 or kseg1 unmapped virtual address segments. Bit 29 of exception base address will be forced to 1 on Cache Error exceptions so the exception handler will be executed from the uncached kseg1 segment.

If the value of the exception base register is to be changed, this must be done with Status_{BEV} equal 1. The operation of the processor is **UNDEFINED** if the Exception Base field is written with a different value when Status_{BEV} is 0.

Combining bits 31:12 with the Exception Base field allows the base address of the exception vectors to be placed at any 4KBbyte page boundary.

Figure 7-20 shows the format of the *EBase* Register; Table 7-25 describes the *EBase* register fields.

Figure 7-20 EBase Register Format



Table 7-25 EBase Register Field Descriptions

Fields		Description	Read/ Write	Reset State
Name	Bits			
1	31	This bit is ignored on write and returns one on read.	R	1
0	30	This bit is ignored on write and returns zero on read.	R	0
Exception Base	29:12	In conjunction with bits 31..30, this field specifies the base address of the exception vectors when Status _{BEV} is zero.	R/W	0
0	11:10	Must be written as zero; returns zero on read.	0	0
CPUNum	9:0	This field specifies the number of the CPU in a multi-processor system and can be used by software to distinguish a particular processor from the others. The value in this field is set by the <i>SI_CPUNum[9:0]</i> static input pins to the core. In a single processor system, this value should be set to zero.	R	Externally Set

7.2.20 Config Register (CP0 Register 16, Select 0)

The *Config* register specifies various configuration and capabilities information. Most of the fields in the *Config* register are initialized by hardware during the Reset exception process, or are constant. The K0, KU, and K23 fields must be initialized by software in the Reset exception handler, if the reset value is not desired.

Figure 7-21 Config Register Format — Select 0

31	30	28	27	25	24	23	22	21	20	19	18	17	16	15	14	13	12	10	9	7	6	3	2	0
M	K23	KU	ISP	DSP	UDI	SB	0	MM	0	BM	BE	AT	AR	MT	0	0	0	0	0	0	0	0	0	K0

Table 7-26 Config Register Field Descriptions

Fields		Description	Read/W rite	Reset State
Name	Bit(s)			
M	31	This bit is hardwired to '1' to indicate the presence of the Config1 register.	R	1
K23	30:28	This field controls the cacheability of the kseg2 and kseg3 address segments in FM implementations. Refer to Table 7-27 for the field encoding.	FM: R/W TLB: R	FM: 010 TLB: 000
KU	27:25	This field controls the cacheability of the kuseg and useg address segments in FM implementations. Refer to Table 7-27 for the field encoding.	FM: R/W TLB: R	FM: 010 TLB: 000
ISP	24	I-side ScratchPad RAM present	R	Preset
DSP	23	D-side ScratchPad RAM present	R	Preset
UDI	22	This bit indicates that CorExtend User Defined Instructions have been implemented. 0 = No User Defined Instructions are implemented 1 = User Defined Instructions are implemented	R	Preset
SB	21	Indicates whether SimpleBE bus mode is enabled. Set via <i>SI_SimpleBE</i> input pin. 0 = No reserved byte enables on OCP interface 1 = Only simple byte enables allowed on OCP interface	R	Externally Set
0	20:19	Must be written as 0. Returns zero on reads.	0	0
MM	18	This bit indicates whether write-through merging is enabled in the 32 byte collapsing write buffer. 0 = No Merging 1 = Merging allowed	R/W	1
0	17	Must be written as 0. Returns zero on reads.		
BM	16	Burst order. Set via <i>SI_SBlock</i> input pin. 0: Sequential 1: SubBlock	R	Externally Set

Table 7-26 Config Register Field Descriptions (Continued)

Fields		Description	Read/W rite	Reset State
Name	Bit(s)			
BE	15	Indicates the endian mode in which the processor is running. Set via <i>SI_Endian</i> input pin. 0: Little endian 1: Big endian	R	Externally Set
AT	14:13	Architecture type implemented by the processor. This field is always 00 to indicate the MIPS32 architecture.	R	00
AR	12:10	Architecture revision level. This field is always 001 to indicate MIPS32 Release 2. 0: Release 1 1: Release 2 2-7: Reserved	R	001
MT	9:7	MMU Type: 1: Standard TLB 3: Fixed Mapping 0, 2, 4-7: Reserved	R	Preset
0	6:3	Must be written as zeros; returns zeros on reads.	0	0
K0	2:0	Kseg0 coherency algorithm. Refer to Table 7-27 for the field encoding.	R/W	010

Table 7-27 Cache Coherency Attributes

K0(2:0) Value	Cache Coherency Attribute
0	Cacheable, noncoherent, write-through, no write allocate
1	Reserved
2	Uncached
3	Cacheable, noncoherent, write-back, write allocate
4,5,6	Reserved
7	Uncached Accelerated

7.2.21 Config1 Register (CP0 Register 16, Select 1)

The *Config1* register is an adjunct to the *Config* register and encodes additional information about capabilities present on the core. All fields in the *Config1* register are read-only.

The instruction and data cache configuration parameters include encodings for the number of sets per way, the line size, and the associativity. The total cache size for a cache is therefore:

Associativity * Line Size * Sets Per Way

If the line size is zero, there is no cache implemented.

Figure 7-22 Config1 Register Format — Select 1

31	30	25	24	22	21	19	18	16	15	13	12	10	9	7	6	5	4	3	2	1	0
M	MMU Size	IS	IL	IA	DS	DL	DA	C2	MD	PC	WR	CA	EP	FP							

Table 7-28 Config1 Register Field Descriptions — Select 1

Fields		Description	Read/Write	Reset State
Name	Bit(s)			
M	31	This bit is hardwired to '1' to indicate the presence of the Config2 register.	R	1
MMU Size	30:25	This field contains the number of entries in the TLB minus one. The field is read as 0 decimal if the TLB is not implemented	R	Preset
IS	24:22	This field contains the number of instruction cache sets per way. The corresponding total instruction cache size is shown in parantheses 0x0: 64 (8KB) 0x1: 128 (16KB) 0x2: 256 (32KB) 0x3: 512 (64KB) 0x4 - 0x7: Reserved	R	Preset
IL	21:19	This field contains the instruction cache line size The cache line size is fixed at 32 bytes when the ICache is present. A value of 0 indicates no ICache. 0x0: No ICache present 0x4: 32 bytes 0x1-0x3, 0x5- 0x7: Reserved	R	Preset
IA	18:16	This field contains the level of instruction cache associativity This field is fixed at 4-way set associative 0x3: 4-way 0x0-0x2, 0x4 - 0x7: Reserved	R	0x3

Table 7-28 Config1 Register Field Descriptions — Select 1 (Continued)

Fields		Description	Read/ Write	Reset State
Name	Bit(s)			
DS	15:13	This field contains the number of data cache sets per way. The corresponding total data cache size is shown in parentheses 0x0: 64 (8KB) 0x1: 128 (16KB) 0x2: 256 (32KB) 0x3: 512 (64KB) 0x4 - 0x7: Reserved	R	Preset
DL	12:10	This field contains the data cache line size. The cache line size is fixed at 32 bytes when a Dcache is present. This field reads 0 when a Dcache is not present. 0x0: No Dcache present 0x4: 32bytes 0x1-0x3, 0x5 - 0x7: Reserved	R	Preset
DA	9:7	This field contains the type of set associativity for the data cache. The associativity is fixed at 4-way. 0x3: 4-way 0x0-0x2, 0x4 - 0x7: Reserved	R	0x3
C2	6	Coprocessor 2 present. 0: Coprocessor2 not present 1: Coprocessor2 present	R	Preset
MD	5	MDMX implemented.	R	0
PC	4	Performance Counter registers implemented.	R	1
WR	3	Watch registers implemented. 0: No Watch registers are present 1: One or more Watch registers are present	R	1
CA	2	Code compression (MIPS16) implemented. 0: No MIPS16 present 1: MIPS16 is implemented	R	1
EP	1	EJTAG present: This bit is always set to indicate that the core implements EJTAG.	R	1
FP	0	FPU implemented.	R	Preset

7.2.22 Config2 Register (CP0 Register 16, Select 2)

The *Config2* register is an adjunct to the *Config* register and is reserved to encode additional capabilities information. *Config2* is allocated for showing the configuration of level 2/3 caches. L2 values reflect the configuration information input from the L2 module. L3 fields are reset to 0 because L3 caches are not supported by the 24KE core. All fields in the *Config2* register are read-only.

Figure 7-23 Config2 Register Format — Select 2

31	30	28	27	24	23	20	19	16	15	13	12	8	7	4	3	0
M	TU	TS	TL	TA	SU	SS	SL	SA								

Table 7-29 Config2 Register Field Descriptions — Select 2

Fields		Description	Read/ Write	Reset State																				
Name	Bit(s)																							
M	31	This bit is hardwired to '1' to indicate the presence of the Config3 register.	R	1																				
TU	30:28	Implementation specific tertiary cache control. Tertiary cache not supported	R	0																				
TS	27:24	Tertiary cache sets per way. Tertiary cache not supported	R	0																				
TL	23:20	Tertiary cache line size. Tertiary cache not supported	R	0																				
TA	19:16	Tertiary cache associativity. Tertiary cache not supported	R	0																				
SU	15:13	Reserved	R	0																				
SS	12:8	Secondary cache sets per way <table border="1" data-bbox="532 1207 1047 1581" style="margin: 10px auto;"> <thead> <tr> <th>Encoding</th> <th>Sets Per Way</th> </tr> </thead> <tbody> <tr><td>0</td><td>64</td></tr> <tr><td>1</td><td>128</td></tr> <tr><td>2</td><td>256</td></tr> <tr><td>3</td><td>512</td></tr> <tr><td>4</td><td>1024</td></tr> <tr><td>5</td><td>2048</td></tr> <tr><td>6</td><td>4096</td></tr> <tr><td>7</td><td>8192</td></tr> <tr><td>8-15</td><td>Reserved</td></tr> </tbody> </table>	Encoding	Sets Per Way	0	64	1	128	2	256	3	512	4	1024	5	2048	6	4096	7	8192	8-15	Reserved	R	Preset
Encoding	Sets Per Way																							
0	64																							
1	128																							
2	256																							
3	512																							
4	1024																							
5	2048																							
6	4096																							
7	8192																							
8-15	Reserved																							

Table 7-29 Config2 Register Field Descriptions — Select 2 (Continued)

Fields		Description	Read/ Write	Reset State																				
Name	Bit(s)																							
SL	7:4	Secondary cache line size	R	Preset																				
		<table border="1"> <thead> <tr> <th>Encoding</th> <th>Line Size (bytes)</th> </tr> </thead> <tbody> <tr> <td>0</td> <td>No cache present</td> </tr> <tr> <td>1</td> <td>4</td> </tr> <tr> <td>2</td> <td>8</td> </tr> <tr> <td>3</td> <td>16</td> </tr> <tr> <td>4</td> <td>32</td> </tr> <tr> <td>5</td> <td>64</td> </tr> <tr> <td>6</td> <td>128</td> </tr> <tr> <td>7</td> <td>256</td> </tr> <tr> <td>8-15</td> <td>Reserved</td> </tr> </tbody> </table>			Encoding	Line Size (bytes)	0	No cache present	1	4	2	8	3	16	4	32	5	64	6	128	7	256	8-15	Reserved
		Encoding			Line Size (bytes)																			
		0			No cache present																			
		1			4																			
		2			8																			
		3			16																			
		4			32																			
		5			64																			
		6			128																			
7	256																							
8-15	Reserved																							
SA	3:0	Secondary cache associativity	R	Preset																				
		<table border="1"> <thead> <tr> <th>Encoding</th> <th>Associativity</th> </tr> </thead> <tbody> <tr> <td>0</td> <td>Direct mapped</td> </tr> <tr> <td>1</td> <td>2</td> </tr> <tr> <td>2</td> <td>3</td> </tr> <tr> <td>3</td> <td>4</td> </tr> <tr> <td>4</td> <td>5</td> </tr> <tr> <td>5</td> <td>6</td> </tr> <tr> <td>6</td> <td>7</td> </tr> <tr> <td>7</td> <td>8</td> </tr> <tr> <td>8-15</td> <td>Reserved</td> </tr> </tbody> </table>			Encoding	Associativity	0	Direct mapped	1	2	2	3	3	4	4	5	5	6	6	7	7	8	8-15	Reserved
		Encoding			Associativity																			
		0			Direct mapped																			
		1			2																			
		2			3																			
		3			4																			
		4			5																			
		5			6																			
		6			7																			
7	8																							
8-15	Reserved																							

7.2.23 Config3 Register (CP0 Register 16, Select 3)

The *Config3* register encodes additional capabilities. All fields in the *Config3* register are read-only.

Figure 7-24 shows the format of the *Config3* register; Table 7-30 describes the *Config3* register fields.

Figure 7-24 Config3 Register Format

31	30	11	10	9	7	6	5	4	3	2	1	0
M	0			DSPP	0	VEIC	VInt	SP	0	SM	TL	

Table 7-30 Config3 Register Field Descriptions

Fields		Description	Read/ Write	Reset State						
Name	Bits									
M	31	This bit is reserved to indicate if a Config4 register is present.	R	0						
0	30:11, 9:7, 3:2	Must be written as zeros; returns zeros on read	0	0						
DSPP	10	DSP Present. Indicates whether support for the DSP ASE is implemented. On the 24KE core, this bit is always 1 since the DSP ASE is implemented.	R	Preset 1						
VEIC	6	Support for an external interrupt controller is implemented. <table border="1" style="margin-left: auto; margin-right: auto;"> <thead> <tr> <th>Encoding</th> <th>Meaning</th> </tr> </thead> <tbody> <tr> <td>0</td> <td>Support for EIC interrupt mode is not implemented</td> </tr> <tr> <td>1</td> <td>Support for EIC interrupt mode is implemented</td> </tr> </tbody> </table> The value of this bit is set by the static input, <i>SI_EICPresent</i> . This allows external logic to communicate whether an external interrupt controller is attached to the processor or not.	Encoding	Meaning	0	Support for EIC interrupt mode is not implemented	1	Support for EIC interrupt mode is implemented	R	Externally Set
Encoding	Meaning									
0	Support for EIC interrupt mode is not implemented									
1	Support for EIC interrupt mode is implemented									
VInt	5	Vectored interrupts implemented. This bit indicates whether vectored interrupts are implemented. <table border="1" style="margin-left: auto; margin-right: auto;"> <thead> <tr> <th>Encoding</th> <th>Meaning</th> </tr> </thead> <tbody> <tr> <td>0</td> <td>Vector interrupts are not implemented</td> </tr> <tr> <td>1</td> <td>Vectored interrupts are implemented</td> </tr> </tbody> </table> On the 24KE core, this bit is always a 1 since vectored interrupts are implemented.	Encoding	Meaning	0	Vector interrupts are not implemented	1	Vectored interrupts are implemented	R	1
Encoding	Meaning									
0	Vector interrupts are not implemented									
1	Vectored interrupts are implemented									

Table 7-30 Config3 Register Field Descriptions

Fields		Description	Read/ Write	Reset State						
Name	Bits									
SP	4	<p>Small (1KByte) page support is implemented, and the <i>PageGrain</i> register exists. This bit will always read as 0 since small pages are not supported.</p> <table border="1"> <thead> <tr> <th>Encoding</th> <th>Meaning</th> </tr> </thead> <tbody> <tr> <td>0</td> <td>Small page support is not implemented</td> </tr> <tr> <td>1</td> <td>Small page support is implemented</td> </tr> </tbody> </table>	Encoding	Meaning	0	Small page support is not implemented	1	Small page support is implemented	R	0
Encoding	Meaning									
0	Small page support is not implemented									
1	Small page support is implemented									
SM	1	<p>SmartMIPS™ ASE implemented. This bit indicates whether the SmartMIPS ASE is implemented. Since SmartMIPS is not present on the 24KE core, this bit will always be 0.</p> <table border="1"> <thead> <tr> <th>Encoding</th> <th>Meaning</th> </tr> </thead> <tbody> <tr> <td>0</td> <td>SmartMIPS ASE is not implemented</td> </tr> <tr> <td>1</td> <td>SmartMIPS ASE is implemented</td> </tr> </tbody> </table>	Encoding	Meaning	0	SmartMIPS ASE is not implemented	1	SmartMIPS ASE is implemented	R	0
Encoding	Meaning									
0	SmartMIPS ASE is not implemented									
1	SmartMIPS ASE is implemented									
TL	0	<p>Trace Logic implemented. This bit indicates whether MIPS trace support is implemented.</p> <table border="1"> <thead> <tr> <th>Encoding</th> <th>Meaning</th> </tr> </thead> <tbody> <tr> <td>0</td> <td>Trace logic is not implemented</td> </tr> <tr> <td>1</td> <td>Trace logic is implemented</td> </tr> </tbody> </table>	Encoding	Meaning	0	Trace logic is not implemented	1	Trace logic is implemented	R	Preset
Encoding	Meaning									
0	Trace logic is not implemented									
1	Trace logic is implemented									

7.2.24 Config7 Register (CP0 Register 16, Select 7)

The *Config7* register contains implementation specific configuration information. A number of these bits are writeable to disable certain performance enhancing features within the core.

Figure 7-25 shows the format of the *Config7* register; Table 7-31 describes the *Config7* register fields.

Figure 7-25 Config7 Register Format



Table 7-31 Config7 Register Field Descriptions

Fields		Description	Read/ Write	Reset State
Name	Bits			
0	31:17, 15:9, 7:6	These bits are unused and should be written as 0.	R	0
FPR	17	Floating Point Ratio: Indicates clock ratio between integer core and floating point unit on 24KEf cores. Reads as 0 on 24KEc cores. 0: FP clock frequency is the same as the integer clock 1: FP clock frequency is one-half the integer clock	R	Based on HW present
AR	16	Alias removed: This bit indicates that the data cache is organized to avoid virtual aliasing problems. This bit is only set if the data cache config and MMU type would normally cause aliasing - i.e., only for the 32KB data cache and TLB-based MMU.	R	Based on HW present
ES	8	Externalize Sync: If this bit is set, the SYNC instruction will cause a SYNC specific transactions to go out on the external bus. If this bit is cleared, no transaction will go out, but all SYNC handling internal to the core will still be performed. Refer to SYNC instruction description for more information.	R/W	0
NBLSU	5	Non-Blocking LSU: Writing 1 to this field will lock the LSU and ALU pipelines together. This forces LSU pipeline stalls to also stall the ALU pipeline.	R/W	0
ULB	4	Uncached Loads Blocking: Writing 1 to this field will make all uncached loads blocking.	R/W	0
BP	3	Branch Prediction: Writing 1 to this field will disable all speculative branch prediction. The fetch unit will wait for a branch to be resolved before fetching the target or fall-through path.	R/W	0
RPS	2	Return Prediction Stack: Writing 1 to this field will disable the use of the Return Prediction Stack. Returns (JR ra) will stall instruction fetch until the destination is calculated.	R/W	0
BHT	1	Branch History Table: Writing 1 to this field will disable the dynamic branch prediction. Branches will be statically predicted taken	R/W	0

Table 7-31 Config7 Register Field Descriptions

Fields		Description	Read/ Write	Reset State
Name	Bits			
SL	0	Scheduled Loads: Writing 1 to this field will make load misses blocking	R/W	0

7.2.25 WatchLo Register (CP0 Register 18, Select 0-3)

The *WatchLo* and *WatchHi* registers together provide the interface to a watchpoint debug facility that initiates a watch exception if an instruction or data access matches the address specified in the registers. As such, they duplicate some functions of the EJTAG debug solution. Watch exceptions are taken only if the EXL and ERL bits are both zero in the *Status* register. If either bit is a one, the WP bit is set in the *Cause* register, and the watch exception is deferred until both the EXL and ERL bits are zero.

There are 4 sets of Watch register pairs (*WatchLo*, *WatchHi*). Two of them (select 0, 1) are associated with instruction addresses only. Thus, only the I bit is writeable, the R and W bits are tied to 0. The other two (select 2, 3) are associated with data addresses and can only be used for R or W watchpoints.

The *WatchLo* register specifies the base virtual address and the type of reference (instruction fetch, load, store) to match.

Figure 7-26 WatchLo Register Format

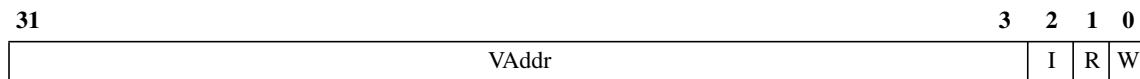


Table 7-32 WatchLo Register Field Descriptions

Fields		Description	Read/Write	Reset State
Name	Bits			
VAddr	31:3	This field specifies the virtual address to match. Note that this is a doubleword address, since bits [2:0] are used to control the type of match.	R/W	Undefined
I	2	If this bit is set, watch exceptions are enabled for instruction fetches that match the address.	R/W	0
R	1	If this bit is set, watch exceptions are enabled for loads that match the address.	R/W	0
W	0	If this bit is set, watch exceptions are enabled for stores that match the address.	R/W	0

7.2.26 WatchHi Register (CP0 Register 19, Select 0-3)

The *WatchLo* and *WatchHi* registers together provide the interface to a watchpoint debug facility that initiates a watch exception if an instruction or data access matches the address specified in the registers. As such, they duplicate some functions of the EJTAG debug solution. Watch exceptions are taken only if the EXL and ERL bits are zero in the *Status* register. If either bit is a one, then the WP bit is set in the *Cause* register, and the watch exception is deferred until both the EXL and ERL bits are zero.

The *WatchHi* register contains information that qualifies the virtual address specified in the *WatchLo* register: an ASID, a Global (G) bit, and an optional address mask. If the G bit is 1, then any virtual address reference that matches the specified address will cause a watch exception. If the G bit is a 0, only those virtual address references for which the ASID value in the *WatchHi* register matches the ASID value in the *EntryHi* register cause a watch exception. The optional mask field provides address masking to qualify the address specified in *WatchLo*.

There are 4 sets of Watch register pairs (*WatchLo*, *WatchHi*). Two of them (select 0, 1) are associated with instruction addresses only. Thus, only the I bit is meaningful, the R and W bits are tied to 0. The other two (select 2, 3) are associated with data addresses and can only be used for R or W watchpoints.

Figure 7-27 WatchHi Register Format

31	30	29	24	23	16	15	12	11	3	2	0	
M	G	0	ASID			0	Mask			I	R	W

Table 7-33 WatchHi Register Field Descriptions

Fields		Description	Read/Write	Reset State
Name	Bit(s)			
M	31	Indicates the presence of additional Watch registers.	R	Preset
G	30	If this bit is one, any address that matches that specified in the <i>WatchLo</i> register causes a watch exception. If this bit is zero, the ASID field of the <i>WatchHi</i> register must match the ASID field of the <i>EntryHi</i> register to cause a watch exception.	R/W	Undefined
0	29:24	Must be written as zeros; returns zeros on read.	0	0
ASID	23:16	ASID value which is required to match that in the <i>EntryHi</i> register if the G bit is zero in the <i>WatchHi</i> register.	R/W	Undefined
0	15:12	Must be written as zero; returns zero on read.	0	0
Mask	11:3	Bit mask that qualifies the address in the <i>WatchLo</i> register. Any bit in this field that is a set inhibits the corresponding address bit from participating in the address match.	R/W	Undefined
I	2	This bit is set by hardware when an instruction fetch condition matches the values in this watch register pair. When set, the bit remains set until cleared by software, which is accomplished by writing a 1 to the bit.	W1C	Undefined
R	1	This bit is set by hardware when a load condition matches the values in this watch register pair. When set, the bit remains set until cleared by software, which is accomplished by writing a 1 to the bit.	W1C	Undefined

Table 7-33 WatchHi Register Field Descriptions (Continued)

Fields		Description	Read/ Write	Reset State
Name	Bit(s)			
W	0	This bit is set by hardware when a store condition matches the values in this watch register pair. When set, the bit remains set until cleared by software, which is accomplished by writing a 1 to the bit.	W1C	Undefined

7.2.27 Debug Register (CP0 Register 23, Select 0)

The *Debug* register is used to control the debug exception and provide information about the cause of the debug exception and when re-entering at the debug exception vector due to a normal exception in debug mode. The read only information bits are updated every time the debug exception is taken or when a normal exception is taken when already in debug mode.

Only the DM bit and the EJTAGver field are valid when read from non-debug mode; the values of all other bits and fields are UNPREDICTABLE. Operation of the processor is UNDEFINED if the *Debug* register is written from non-debug mode.

Some of the bits and fields are only updated on debug exceptions and/or exceptions in debug mode, as shown below:

- DSS, DBp, DDBL, DDBS, DIB, DINT are updated on both debug exceptions and on exceptions in debug modes
- DExcCode is updated on exceptions in debug mode, and is undefined after a debug exception
- Halt and Doze are updated on a debug exception, and are undefined after an exception in debug mode
- DBD is updated on both debug and on exceptions in debug modes

All bits and fields are undefined when read from normal mode, except those explicitly described to be defined, e.g. EJTAGver and DM.

Figure 7-28 Debug Register Format

31	30	29	28	27	26	25	24	23	22	21	20	19		
DBD	DM	NoDCR	LSNM	Doze	Halt	CountDM	IBusEP	MCheckP	CacheEP	DBusEP	IEXI	DDBSImpr		
18	17	15	14	10	9	8	7	6	5	4	3	2	1	0
DDBLImpr	Ver	DExcCode			NoSSt	SSt	R	DINT	DIB	DDBS	DDBL	DBp	DSS	

Table 7-34 Debug Register Field Descriptions

Fields		Description	Read/ Write	Reset State
Name	Bit(s)			
DBD	31	Indicates whether the last debug exception or exception in debug mode, occurred in a branch delay slot: 0: Not in delay slot 1: In delay slot	R	Undefined
DM	30	Indicates that the processor is operating in debug mode: 0: Processor is operating in non-debug mode 1: Processor is operating in debug mode	R	0
NoDCR	29	Indicates whether the dseg memory segment is present: 0: dseg is present 1: No dseg present	R	0

Table 7-34 Debug Register Field Descriptions (Continued)

Fields		Description	Read/ Write	Reset State
Name	Bit(s)			
LSNM	28	Controls access of load/store between dseg and main memory: 0: Load/stores in dseg address range goes to dseg. 1: Load/stores in dseg address range goes to main memory.	R/W	0
Doze	27	Indicates that the processor was in any kind of low power mode when a debug exception occurred: 0: Processor not in low power mode when debug exception occurred 1: Processor in low power mode when debug exception occurred	R	Undefined
Halt	26	Indicates that the internal system bus clock was stopped when the debug exception occurred: 0: Internal system bus clock stopped 1: Internal system bus clock running	R	Undefined
CountDM	25	Indicates the Count register behavior in debug mode. 0: Count register stopped in debug mode 1: Count register is running in debug mode	R/W	1
IBusEP	24	Imprecise Instruction fetch Bus Error exception Pending. All instruction bus errors are precise on the 24KE core so this bit will always read as 0. Set when an instruction fetch bus error event occurs or if a 1 is written to the bit by software. Cleared when a Bus Error exception on instruction fetch is taken by the processor, and by reset. If IBusEP is set when IEXI is cleared, a Bus Error exception on instruction fetch is taken by the processor, and IBusEP is cleared.	R	0
MCheckP	23	Indicates that an imprecise Machine Check exception is pending. Set when a Machine Check exception occurs or if a 1 is written to the bit by software. Cleared when a machine check exception is taken by the processor, and by reset. If MCheckP is set when IEXI is cleared, a Machine Check exception is taken by the processor, and MCheckP is cleared.	R	0
CacheEP	22	Indicates that an imprecise Cache Error is pending.	R/W1	0
DBusEP	21	Data access Bus Error exception Pending. Set when a data bus error event occurs or if a 1 is written to the bit by software. Cleared when a Data Bus Error exception is taken by the processor, and by reset. If DBusEP is set when IEXI is cleared, a Data Bus Error exception is taken by the processor, and DBusEP is cleared.	R/W1	0
IEXI	20	Imprecise Error eXception Inhibit controls exceptions taken due to imprecise error indications. Set when the processor takes a debug exception or exception in debug mode. Cleared by execution of the DERET instruction; otherwise modifiable by debug mode software. When IEXI is set, the imprecise error exception from a bus error on an instruction fetch or data access, cache error, or machine check is inhibited and deferred until the bit is cleared.	R/W	0

Table 7-34 Debug Register Field Descriptions (Continued)

Fields		Description	Read/ Write	Reset State
Name	Bit(s)			
DDBSImpr	19	Indicates that an imprecise Debug Data Break Store exception was taken.	R	0
DDBLImpr	18	Indicates that an imprecise Debug Data Break Load exception was taken.	R	0
Ver	17:15	EJTAG version. 3: Version 3.x	R	011
DExcCode	14:10	Indicates the cause of the latest exception in debug mode. See Table 7-22 for a list of values. Value is undefined after a debug exception.	R	Undefined
NoSST	9	Indicates whether the single-step feature controllable by the SSt bit is available in this implementation: 0: Single-step feature available 1: No single-step feature available	R	0
SSt	8	Controls if debug single step exception is enabled: 0: No debug single-step exception enabled 1: Debug single step exception enabled	R/W	0
R	7:6	Reserved. Must be written as zeros; returns zeros on reads.	R	0
DINT	5	Indicates that a debug interrupt exception occurred. Cleared on exception in debug mode. 0: No debug interrupt exception 1: Debug interrupt exception	R	Undefined
DIB	4	Indicates that a debug instruction break exception occurred. Cleared on exception in debug mode. 0: No debug instruction exception 1: Debug instruction exception	R	Undefined
DDBS	3	Indicates that a debug data break exception occurred on a store. Cleared on exception in debug mode. 0: No debug data exception on a store 1: Debug instruction exception on a store	R	Undefined
DDBL	2	Indicates that a debug data break exception occurred on a load. Cleared on exception in debug mode. 0: No debug data exception on a load 1: Debug instruction exception on a load	R	Undefined
DBp	1	Indicates that a debug software breakpoint exception occurred. Cleared on exception in debug mode. 0: No debug software breakpoint exception 1: Debug software breakpoint exception	R	Undefined
DSS	0	Indicates that a debug single-step exception occurred. Cleared on exception in debug mode. 0: No debug single-step exception 1: Debug single-step exception	R	Undefined

7.2.28 Trace Control Register (CP0 Register 23, Select 1)

The *TraceControl* register configuration is shown below.

Figure 7-29 TraceControl Register Format

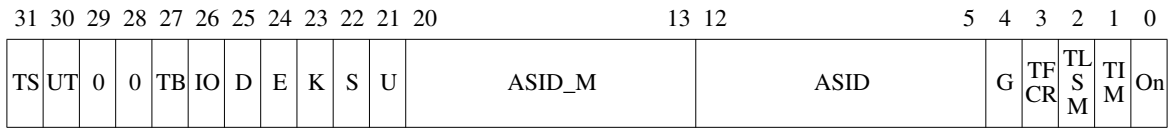


Table 7-35 TraceControl Register Field Descriptions

Fields		Description	Read/ Write	Reset State
Name	Bits			
TS	31	The trace select bit is used to select between the hardware and the software trace control bits. A value of zero selects the external hardware trace block signals, and a value of one selects the trace control bits in the <i>TraceControl</i> register.	R/W	0
UT	30	This bit is used to indicate the type of user-triggered trace record. A value of zero implies a user type 1 and a value of one implies a user type 2. The actual triggering of a user trace record happens on a write to the <i>UserTraceData</i> register. This is a 32-bit register for 32-bit processors and a 64-bit register for 64-bit processors.	R/W	Undefined
0	29:28	Reserved for future use; Must be written as zero; returns zero on read.	0	0
TB	27	Trace All Branch. When set to 1, this tells the processor to trace the PC value for all taken branches, not just the ones whose branch target address is statically unpredictable.	R/W	Undefined
IO	26	Inhibit Overflow. This signal is used to indicate to the core trace logic that slow but complete tracing is desired. Hence, the core tracing logic must not allow a FIFO overflow and discard trace data. This is achieved by stalling the pipeline when the FIFO is nearly full, so that no trace records are ever lost.	R/W	Undefined
D	25	When set to one, this enables tracing in Debug Mode. For trace to be enabled in Debug mode, the On bit must be one, and either the G bit must be one, or the current process ASID must match the ASID field in this register. When set to zero, trace is disabled in Debug Mode, irrespective of other bits.	R/W	Undefined

Fields		Description	Read/ Write	Reset State
Name	Bits			
E	24	<p>When set to one, this enables tracing in Exception Mode. For trace to be enabled in Exception mode, the On bit must be one, and either the G bit must be one, or the current process ASID must match the ASID field in this register.</p> <p>When set to zero, trace is disabled in Exception Mode, irrespective of other bits.</p>	R/W	Undefined
K	23	<p>When set to one, this enables tracing in Kernel Mode . For trace to be enabled in Kernel mode, the On bit must be one, and either the G bit must be one, or the current process ASID must match the ASID field in this register.</p> <p>When set to zero, trace is disabled in Kernel Mode, irrespective of other bits.</p>	R/W	Undefined
S	22	<p>When set to one, this enables tracing in Supervisor Mode. For trace to be enabled in Supervisor mode, the On bit must be one, and either the G bit must be one, or the current process ASID must match the ASID field in this register.</p> <p>When set to zero, trace is disabled in Supervisor Mode, irrespective of other bits.</p> <p>If the processor does not implement Supervisor Mode, this bit is ignored on write and returns zero on read.</p>	R/W	Undefined
U	21	<p>When set to one, this enables tracing in User Mode. For trace to be enabled in User mode, the On bit must be one, and either the G bit must be one, or the current process ASID must match the ASID field in this register.</p> <p>When set to zero, trace is disabled in User Mode, irrespective of other bits.</p>	R/W	Undefined
ASID_M	20:13	<p>This is a mask value applied to the ASID comparison (done when the G bit is zero). A “1” in any bit in this field inhibits the corresponding ASID bit from participating in the match. As such, a value of zero in this field compares all bits of ASID. Note that the ability to mask the ASID value is not available in the hardware signal bit; it is only available via the software control register.</p> <p>If the processor does not implement the standard TLB-based MMU, this field is ignored on write and returns zero on read.</p>	R/W	Undefined
ASID	12:5	<p>The ASID field to match when the G bit is zero. When the G bit is one, this field is ignored.</p> <p>If the processor does not implement the standard TLB-based MMU, this field is ignored on write and returns zero on read.</p>	R/W	Undefined
G	4	<p>When set, this implies that tracing is to be enabled for all processes, provided that other enabling functions (like U, S, etc..) are also true.</p> <p>If the processor does not implement the standard TLB-based MMU, this field is ignored on write and returns 1 on read. This causes all match equations to work correctly in the absence of an ASID.</p>	R/W	Undefined

Fields		Description	Read/ Write	Reset State
Name	Bits			
TFCR	3	When asserted, used to trace function call and return instructions with full PC values.	R/W	Undefined
TLSM	2	When asserted, used to trace data cache load and store misses with full PC values, and potentially the data address and value as well.	R/W	Undefined
TIM	1	When asserted, used to trace instruction miss with full PC values.	R/W	Undefined
On	0	This is the master trace enable switch in software control. When zero, tracing is always disabled. When set to one, tracing is enabled whenever the other enabling functions are also true.	R/W	0

7.2.29 TraceControl2 Register (CP0 Register 23, Select 2)

The *TraceControl2* register provides additional control and status information. Note that some fields in the *TraceControl2* register are read-only, but have a reset state of “Undefined”. This is because these values are loaded from the Trace Control Block (TCB) (see [Section 11.9, "Trace Control Block \(TCB\) Registers \(hardware control\)"](#) on page 270). As such, these fields in the *TraceControl2* register will not have valid values until the TCB asserts these values.

This register is only implemented if the MIPS Trace capability is present.

Figure 7-30 TraceControl2 Register Format

31	30	29	28	21	20	19	12	11	7	6	5	4	3	2
0			zero	0		zero		Mode	ValidM odes	TB I	TB U	Sy P		

Table 7-36 TraceControl2 Register Field Descriptions (Continued)

Fields		Description	Read/ Write	Reset State												
Name	Bits															
0	31:12	Reserved for future use; Must be written as zero; returns zero on read.	0	0												
Mode	11:7	<p>These 5 bits provide the same trace mode functions as the PDI_TraceMode[4:0] signal, and is described here again.</p> <p>When tracing is turned on, this signal specifies what information is to be traced by the core. It uses 5 bits, where each bit turns on a tracing of a specific tracing mwhen that bit value is a 1. If the corresponding bit is 0, then the Trace Value shown in column two is not traced by the processor.</p> <p>On the X4KX core PC tracing is always enabled, regardless of the value on bit 23.ode. The table shows what trace value is turned on</p> <table border="1" style="margin-left: auto; margin-right: auto;"> <thead> <tr> <th>Bit</th> <th>Trace The Following</th> </tr> </thead> <tbody> <tr> <td>0</td> <td>PC</td> </tr> <tr> <td>1</td> <td>Load address</td> </tr> <tr> <td>2</td> <td>Store address</td> </tr> <tr> <td>3</td> <td>Load data</td> </tr> <tr> <td>4</td> <td>Store data</td> </tr> </tbody> </table>	Bit	Trace The Following	0	PC	1	Load address	2	Store address	3	Load data	4	Store data	R/W	Undefined
Bit	Trace The Following															
0	PC															
1	Load address															
2	Store address															
3	Load data															
4	Store data															

Fields		Description	Read/ Write	Reset State										
Name	Bits													
ValidModes	6:5	<p>This field specifies the subset of tracing that is supported by the processor.</p> <table border="1"> <thead> <tr> <th>Encoding</th> <th>Meaning</th> </tr> </thead> <tbody> <tr> <td>00</td> <td>PC tracing only</td> </tr> <tr> <td>01</td> <td>PC and load and store address tracing only</td> </tr> <tr> <td>10</td> <td>PC, load and store address, and load and store data</td> </tr> <tr> <td>11</td> <td>Reserved</td> </tr> </tbody> </table>	Encoding	Meaning	00	PC tracing only	01	PC and load and store address tracing only	10	PC, load and store address, and load and store data	11	Reserved	R	Preset
Encoding	Meaning													
00	PC tracing only													
01	PC and load and store address tracing only													
10	PC, load and store address, and load and store data													
11	Reserved													
TBI	4	<p>This bit indicates how many trace buffers are implemented by the TCB, as follows:</p> <table border="1"> <thead> <tr> <th>Encoding</th> <th>Meaning</th> </tr> </thead> <tbody> <tr> <td>0</td> <td>Only one trace buffer is implemented, and the TBU bit of this register indicates which trace buffer is implemented</td> </tr> <tr> <td>1</td> <td>Both on-chip and off-chip trace buffers are implemented by the TCB and the TBU bit of this register indicates to which trace buffer the traces is currently written.</td> </tr> </tbody> </table> <p>This bit is loaded from the PDI_TBImpl signal when the PDI_SyncOffEn signal is asserted.</p>	Encoding	Meaning	0	Only one trace buffer is implemented, and the TBU bit of this register indicates which trace buffer is implemented	1	Both on-chip and off-chip trace buffers are implemented by the TCB and the TBU bit of this register indicates to which trace buffer the traces is currently written.	R	Undefined				
Encoding	Meaning													
0	Only one trace buffer is implemented, and the TBU bit of this register indicates which trace buffer is implemented													
1	Both on-chip and off-chip trace buffers are implemented by the TCB and the TBU bit of this register indicates to which trace buffer the traces is currently written.													
TBU	3	<p>This bit denotes to which trace buffer the trace is currently being written and is used to select the appropriate interpretation of the TraceControl2_{Syp} field.</p> <table border="1"> <thead> <tr> <th>Encoding</th> <th>Meaning</th> </tr> </thead> <tbody> <tr> <td>0</td> <td>Trace data is being sent to an on-chip trace buffer</td> </tr> <tr> <td>1</td> <td>Trace Data is being sent to an off-chip trace buffer</td> </tr> </tbody> </table> <p>This bit is loaded from the PDI_OffChipTB signal when the PDI_SyncOffEn signal is asserted.</p>	Encoding	Meaning	0	Trace data is being sent to an on-chip trace buffer	1	Trace Data is being sent to an off-chip trace buffer	R	Undefined				
Encoding	Meaning													
0	Trace data is being sent to an on-chip trace buffer													
1	Trace Data is being sent to an off-chip trace buffer													

Fields		Description	Read/ Write	Reset State																		
Name	Bits																					
SyP	2:0	<p>The period (in cycles) to which the internal synchronization counter is reset when tracing is started, or when the synchronization counter has overflowed.</p> <table border="1"> <thead> <tr> <th>SyP</th> <th>Sync Period</th> </tr> </thead> <tbody> <tr> <td>000</td> <td>2^5</td> </tr> <tr> <td>001</td> <td>2^6</td> </tr> <tr> <td>010</td> <td>2^7</td> </tr> <tr> <td>011</td> <td>2^8</td> </tr> <tr> <td>100</td> <td>2^9</td> </tr> <tr> <td>101</td> <td>2^{10}</td> </tr> <tr> <td>110</td> <td>2^{11}</td> </tr> <tr> <td>111</td> <td>2^{12}</td> </tr> </tbody> </table> <p>This field is loaded from the PDI_SyncPeriod signal when the PDI_SyncOffEn signal is asserted.</p>	SyP	Sync Period	000	2^5	001	2^6	010	2^7	011	2^8	100	2^9	101	2^{10}	110	2^{11}	111	2^{12}	R	Undefined
SyP	Sync Period																					
000	2^5																					
001	2^6																					
010	2^7																					
011	2^8																					
100	2^9																					
101	2^{10}																					
110	2^{11}																					
111	2^{12}																					

7.2.30 User Trace Data Register (CP0 Register 23, Select 3)

A software write to any bits in the *UserTraceData* register will trigger a trace record to be written indicating a type 1 or type 2 user format. The type is based on the UT bit in the *TraceControl* register. This register cannot be written in consecutive cycles. The trace output data is UNPREDICTABLE if this register is written in consecutive cycles.

This register is only implemented if the MIPS Trace capability is present.

Figure 7-31 User Trace Data Register Format

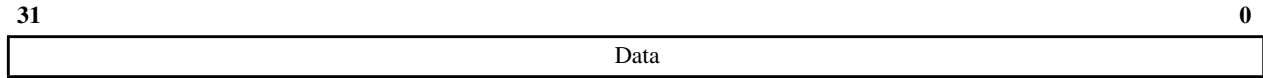


Table 7-37 UserTraceData Register Field Descriptions

Fields		Description	Read/ Write	Reset State
Name	Bits			
Data	31:0	Software readable/writable data. When written, this triggers a user format trace record out of the PDtrace interface that transmits the Data field to trace memory.	R/W	0

7.2.31 TraceIBPC Register (CP0 Register 23, Select 4)

This register is used to control start and stop of tracing using an EJTAG Instruction Hardware breakpoint. The Instruction Hardware breakpoint would then be set as a trigger source and optionally also as a Debug exception breakpoint.

This register is only implemented if both Hardware breakpoints and the MIPS Trace capability are present.

Figure 7-32 TraceIBPC Register Format

31	30	29	28	27	26	24	23	21	20	18	17	15	14	12	11	9	8	6	5	3	2
0	0	IE	0	0	0	0	0	0	0	0	0	0	0	IBPC ₃	IBPC ₂	IBPC ₁	IBPC ₀				

Table 7-38 TraceIBPC Register Field Descriptions

Fields		Description	Read/Write	Reset State
Name	Bits			
0	31:29	reserved for future implementation	R	0/1
IE	28	Used to specify whether the trigger signal from EJTAG instruction breakpoint should trigger tracing functions or not: 0 : disables trigger signals from instruction breakpoints 1 : enables trigger signals from instruction breakpoints	R/W	0
0	27:12	reserved for future implementation	R	0
IBPC _n	3n-1:3n-3	The three bits are decoded to enable different tracing modes. Table 7-40 shows the possible interpretations. Each set of 3 bits represents the encoding for the instruction breakpoint n in the EJTAG implementation, if it exists. If the breakpoint does not exist then the bits are reserved, read as zero and writes are ignored. If bit 27 is zero, bits 3n-1:3n-2 are ignored, and only the bottom bit 3n-3 is used to start and stop tracing as specified in versions less than 4.00 of this specification.	R/W	0

7.2.32 TraceDBPC Register (CP0 Register 23, Select 5)

This register is used to control start and stop of tracing using an EJTAG Data Hardware breakpoint. The Data Hardware breakpoint would then be set as a trigger source and optionally also as a Debug exception breakpoint.

This register is only implemented if both Hardware breakpoints and the MIPS Trace capability are present

Figure 7-33 TraceDBPC Register Format

31	30	29	28	27	26	24	23	21	20	18	17	15	14	12	11	9	8	6	5	3	2	0
0	0	DE	0	0	0	0	0	0	0	0	0	0	0	0	0	0	0	DBPC ₁	DBPC ₀			

Table 7-39 TraceDBPC Register Field Descriptions

Fields		Description	Read/Write	Reset State
Name	Bits			
0	31:29	reserved for future implementation	R	0/1
DE	28	Used to specify whether the trigger signal from EJTAG data breakpoint should trigger tracing functions or not: 0 : disables trigger signals from data breakpoints 1 : enables trigger signals from data breakpoints	R/W	0
0	27	reserved for future implementation	R	0
DBPC _n	3n-1:3n-3	The three bits are decoded to enable different tracing modes. Table 7-40 shows the possible interpretations. Each set of 3 bits represents the encoding for the data breakpoint n in the EJTAG implementation, if it exists. If the breakpoint does not exist then the bits are reserved, read as zero and writes are ignored. If ATE is zero, bits 3n-1:3n-2 are ignored, and only the bottom bit 3n-3 is used to start and stop tracing as specified in versions less than 4.00 of this specification.	R/W	0

Table 7-40 BreakPoint Control Modes: IBPC and DBP

Value	Trigger Action	Description
000	Unconditional Trace Stop	Unconditionally stop tracing if tracing was turned on. If tracing is already off, then there is no effect.
001	Unconditional Trace Start	Unconditionally start tracing if tracing was turned off. If tracing is already turned off then there is no effect.
010 to 111	Not used	Reserved for future implementation

7.2.33 Debug Exception Program Counter Register (CP0 Register 24, Select 0)

The Debug Exception Program Counter (*DEPC*) register is a read/write register that contains the address at which processing resumes after a debug exception or debug mode exception has been serviced.

For synchronous (precise) debug and debug mode exceptions, the *DEPC* contains either:

- The virtual address of the instruction that was the direct cause of the debug exception, or
- The virtual address of the immediately preceding branch or jump instruction, when the debug exception causing instruction is in a branch delay slot, and the Debug Branch Delay (DBD) bit in the *Debug* register is set.

For asynchronous debug exceptions (debug interrupt), the *DEPC* contains the virtual address of the instruction where execution should resume after the debug handler code is executed.

In processors that implement the MIPS16 ASE, a read of the DEPC register (via MFC0) returns the following value in the destination GPR:

$$\text{GPR}[\text{rt}] \leftarrow \text{DebugExceptionPC}_{31..1} \parallel \text{ISAMode}_0$$

That is, the upper 31 bits of the debug exception PC are combined with the lower bit of the ISAMode field and written to the GPR.

Similarly, a write to the DEPC register (via MTC0) takes the value from the GPR and distributes that value to the debug exception PC and the ISAMode field, as follows

$$\begin{aligned} \text{DebugExceptionPC} &\leftarrow \text{GPR}[\text{rt}]_{31..1} \parallel 0 \\ \text{ISAMode} &\leftarrow 2\#0 \parallel \text{GPR}[\text{rt}]_0 \end{aligned}$$

That is, the upper 31 bits of the GPR are written to the upper 31 bits of the debug exception PC, and the lower bit of the debug exception PC is cleared. The upper bit of the ISAMode field is cleared and the lower bit is loaded from the lower bit of the GPR.

Figure 7-34 DEPC Register Format



Table 7-41 DEPC Register Formats

Fields		Description	Read/Write	Reset
Name	Bit(s)			
DEPC	31:0	The <i>DEPC</i> register is updated with the virtual address of the instruction that caused the debug exception. If the instruction is in the branch delay slot, then the virtual address of the immediately preceding branch or jump instruction is placed in this register. Execution of the DERET instruction causes a jump to the address in the <i>DEPC</i> .	R/W	Undefined

7.2.34 Performance Counter Register (CP0 Register 25, select 0-3)

The 24KE processor defines two performance counters and two associated control registers, which are mapped to CP0 register 25. The select field of the MTC0/MFC0 instructions are used to select the specific register accessed by the instruction, as shown in [Table 7-42](#).

Table 7-42 Performance Counter Register Selects

Select[2:0]	Register
0	Register 0 Control
1	Register 0 Count
2	Register 1 Control
3	Register 1 Count

Each counter is a 32-bit read/write register and is incremented by one each time the countable event, specified in its associated control register, occurs. Each counter can independently count one type of event at a time.

Bit 31 of each of the counters are AND'ed with an interrupt enable bit, *IE*, of their respective control register, and then OR'ed together to create the *SI_PCI* output. This signal is combined with one of the *SI_Int* pins to signal an interrupt to the core. Counting is not affected by the interrupt indication. This output is cleared when the counter wraps to zero, and may be cleared in software by writing a value with bit 31 = 0 to the *Performance Counter Count* registers.

Figure 7-35 shows the format of the *Performance Counter Control* register; Table 7-43 describes the *Performance Counter Control* register fields.

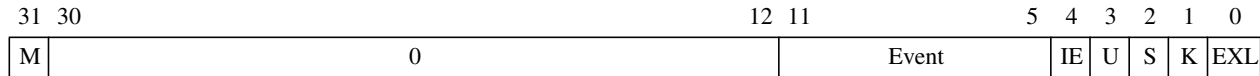


Figure 7-35 Performance Counter Control Register

Table 7-43 Performance Counter Control Register Field Descriptions

Fields		Description	Read/ Write	Reset State
Name	Bits			
M	31	If this bit is one, another pair of <i>Performance Control</i> and <i>Counter</i> registers is implemented at a MTC0 or MFC0 select field value of 'n+2' and 'n+3'.	R	1 for counter 0 0 for counter 1
0	30:12	Must be written as zeroes; returns zeroes when read.	0	0
Event	11:5	Counter event enabled for this counter. Possible events are listed in Table 7-44.	R/W	Undefined
IE	4	Counter Interrupt Enable. This bit masks bit 31 of the associated count register from the interrupt exception request output.	R/W	0
U	3	Count in User Mode. When this bit is set, the specified event is counted in User Mode.	R/W	Undefined
S	2	Count in Supervisor Mode. When this bit is set, the specified event is counted in Supervisor Mode.	R/W	Undefined
K	1	Count in Kernel Mode. When this bit is set, count the event in Kernel Mode when <i>EXL</i> and <i>ERL</i> both are 0.	R/W	Undefined
EXL	0	Count when <i>EXL</i> . When this bit is set, count the event when <i>EXL</i> = 1 and <i>ERL</i> = 0.	R/W	Undefined

Table 7-44 describes the events countable with the two performance counters. The operation of a counter is **UNPREDICTABLE** for events which are specified as Reserved.

Table 7-44 Performance Counter Count Register Field Descriptions

Event Number	Counter 0	Counter 1
0	Cycles	
1	Instructions completed	
2	branch instructions	Branch mispredictions
3	JR r31 (return) instructions	JR r31 mispredictions
4	JR (not r31) instructions	Reserved

Table 7-44 Performance Counter Count Register Field Descriptions

Event Number	Counter 0	Counter 1
5	ITLB accesses	ITLB misses
6	DTLB accesses	DTLB misses
7	JTLB instruction accesses	JTLB instruction misses
8	JTLB data accesses	JTLB data misses
9	Instruction Cache accesses	Instruction cache misses
10	Data cache accesses	Data cache writebacks
11	Data cache misses	
12	Reserved	
13		
14	integer instructions completed	FPU instructions completed
15	loads completed	stores completed
16	J/JAL completed	MIPS16 instructions completed
17	no-ops completed	integer multiply/divide completed
18	stalls	replay traps (other than uTLB)
19	SC instructions completed	SC instructions failed
20	Prefetch instructions completed	Prefetch instructions completed with cache hit
21	L2 cache writebacks	L2 cache accesses
22	L2 cache misses	
23	Exceptions taken	reserved
24	cache fixup	reserved
25	IFU stalls	ALU stalls
26	DSP Instructions Completed	ALU-DSP Saturations Done
27	Reserved	MDU-DSP Saturations Done
28	Reserved	Impl. specific Cp2 event
29	Impl. specific ISPRAM event	Impl. specific DSPRAM event
30	Reserved	
31		
32		
33	Uncached Loads	Uncached Stores
34	Reserved	
35	CP2 Arithmetic Instns Completed	CP2 To/From Instns completed
36	Reserved	
37	I\$ Miss Stall cycles	D\$ miss stall cycles

Table 7-44 Performance Counter Count Register Field Descriptions

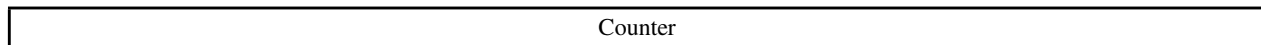
Event Number	Counter 0	Counter 1
38	Reserved	
39	D\$ miss cycles	L2 miss cycles
40	Uncached stall cycles	Reserved
41	MDU stall cycles	FPU stall cycles
42	CP2 stall cycles	CorExtend stall cycles
43	ISPRAM stall cycles	DSPRAM stall cycles
44	CACHE Instn stall cycles	WriteBuffer full stall cycles
45	Load to Use stalls	ALU to AGEN stalls
46	Other interlock stalls	Branch mispredict stalls
47	Reserved	
48	IFU FB full refetches	FB entry allocated
49	Reserved	
50	FSB < 1/4 full	FSB 1/4-1/2 full
51	FSB > 1/2 full	FSB full pipeline stalls
52	LDQ < 1/4 full	LDQ 1/4-1/2 full
53	LDQ > 1/2 full	LDQ full pipeline stalls
54	WBB < 1/4 full	WBB 1/4-1/2 full
55	WBB > 1/2 full	WBB full pipeline stalls
56-63	Reserved	

Figure 7-36 shows the format of the *Performance Counter Count* register; Table 7-45 describes the *Performance Counter Count* register fields.

The performance counter resets to a low-power state, in which none of the counters will start counting events until software has enabled event counting, using an MTC0 instruction to the Performance Counter Control Registers.

31

0

**Figure 7-36 Performance Counter Count Register****Table 7-45 Performance Counter Count Register Field Descriptions**

Fields		Description	Read/ Write	Reset State
Name	Bits			
Counter	31:0	Counter	R/W	Undefined

7.2.35 ErrCtl Register (CP0 Register 26, Select 0)

The *ErrCtl* register controls parity protection of data and instruction caches and provides for software testing of the way-selection and scratchpad RAMs.

Parity protection can be enabled or disabled using the *PE* bit. When parity is enabled and the *PO* bit is deasserted, the CACHE Index Store Tag and Index Store Data operations will internally generate parity to be written into the RAM arrays. However, when the *PO* bit is asserted, tag array parity is written using the *P* bit of the *TagLo* register and data array parity is written using the *PI/PD* bits of *ErrCtl*.

A CACHE Index Load Tag operation to the instruction cache will update the *PCI* field with the instruction precode bits from the data array and the *PI* field with the parity bits from the data array if parity is supported. A CACHE Index Load Tag operation to the data cache will cause the *PD* bits to be updated with the byte parity for the selected word of the data array if parity is implemented. If parity is disabled or not implemented, the contents of the *PI* and *PD* fields after a CACHE Index Load Tag operation will be 0.

The way- selection RAM test mode is enabled by setting the *WST* bit. This mode is intended for software testing of the way-selection RAM and data RAM. It modifies the functionality of the CACHE Index Load Tag and Index Store Tag operations so that they modify the way-selection RAM instead of the TAG RAMs. In addition, when the *WST* bit is set, the CACHE Index Store Data can be used for testing the data RAM.

The *PCO* field can be used for testing the precode bits of the instruction cache data array. When the *PCO* bit is cleared, the CACHE Index Store Data instruction will internally generate the precode bits to be written into the instruction cache data array. However, when the *PCO* bit is set, the CACHE Index Store Data instruction will write the value in the *PCI* field to the precode bits in the data array. Setting an illegal value in the precode bits may cause unpredictable behavior. This mechanism should only be used for software testing of the cache arrays. Furthermore, the cache should be flushed after testing.

The scratchpad RAM test mode is enabled by setting the *SPR* bit. When in this mode, it is possible to probe and modify the pseudo-tags for the scratchpad RAMs by using CACHE IndexLdTag and IndexStTag operations. The CACHE Index Store Data operation can also be used to update the SPRAM data arrays in this mode. The *PO* and *PCO* override features can be used in this mode to test the SPRAM data array.

Software should avoid setting *SPR* and *WST* bits at the same time.

Figure 7-37 shows the format of the *ErrCtl* register; Table 7-46 describes the *ErrCtl* register fields.

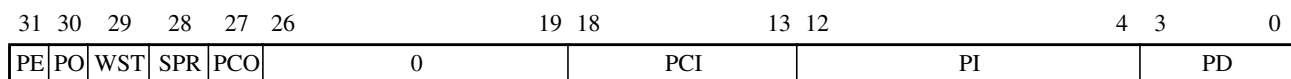


Figure 7-37 ErrCtl Register

Table 7-46 ErrCtl Register Field Descriptions

Fields		Description	Read/ Write	Reset State
Name	Bits			
PE	31	Parity Enable. This bit enables or disables the cache parity protection for both the instruction cache and the data cache. 0: Parity disabled 1: Parity enabled This field is only write-able if the cache parity option was implemented when the core was built. If cache parity is not supported, this field is always read as 0. Software can test for cache parity support by attempting to write a 1 to this field, then read back the value.	R or R/W	0
PO	30	Parity Overwrite. If set, the PI/PD fields of this register overwrites calculated parity for the data array. In addition, the <i>P</i> field of the TagLo register overwrites calculated parity for the tag array. This bit only has significance during CACHE Index Store Tag and CACHE Index Store Data operations. 0: Use calculated parity 1: Override calculated parity	R/W	0
WST	29	Way Selection Test. If set, way-selection RAM test mode is enabled. This affects only the CACHE instruction operation. 0: Test mode disabled 1: Test mode enabled	R/W	0
SPR	28	ScratchPadRAM test. If set, indexed CACHE instructions operate on the ScratchPad RAM. Undefined behavior if ScratchPad RAM is not present	R/W	0
PCO	27	Precode override. If set, the contents of the PCI field overwrite the calculated precode bits when data is written to the instruction cache for indexed CACHE instruction operations. 0: Use calculated precode 1: Override calculated precode.	R/W	0
PCI	18:13	Instruction precode bits read from or written to the instruction cache data RAM.	R/W	Undefined
PI	12:4	Parity bit read from or written to instruction cache data RAM. bit 12 is the even parity bit for the precode bits bits 11:4 are the per-byte even parity bits for the 64b of data	R/W	Undefined
PD	3:0	Parity bits read from or written to data cache data RAM. PD[0] is even parity for the least-significant byte of the requested data.	R/W	Undefined
0	28, 26:19	Must be written as zeroes; returns zeroes when read.	0	0

7.2.36 CacheErr Register (CP0 Register 27, Select 0)

The *CacheErr* register provides an interface with the cache error-detection logic. When a Cache Error exception is signaled, the fields of this register are set accordingly.

Figure 7-38 shows the format of the *CacheErr* register; Table 7-47 describes the *CacheErr* register fields.

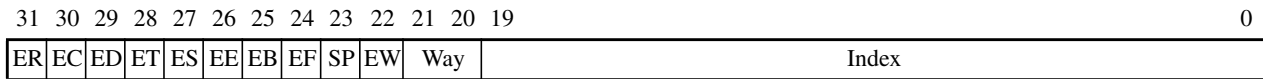


Figure 7-38 CacheErr Register

Table 7-47 CacheErr Register Field Descriptions

Fields		Description	Read/ Write	Reset State
Name	Bits			
ER	31	Error Reference. Indicates the type of reference that encountered an error. 0: Instruction 1: Data	R	Undefined
EC	30	Indicates the cache level at which the error was detected: 0: Primary 1: Non-primary	R	Undefined
ED	29	Error Data. Indicates a data RAM error. 0: No data RAM error detected 1: Data RAM error detected	R	Undefined
ET	28	Error Tag. Indicates a tag RAM error. 0: No tag RAM error detected 1: Tag RAM error detected	R	Undefined
ES	27	Error source. Indicates whether error was caused by internal processor or external snoop request. 0: Error on internal request 1: Error on external request	R	Undefined
EE	26	Error external: Indicates whether a bus parity error was detected. Not supported	R	0
EB	25	Error Both. Indicates that a data cache error occurred in addition to an instruction cache error. 0: No additional data cache error 1: Additional data cache error In the case of an additional data cache error, the remainder of the bits in this register are set according to the instruction cache error.	R	Undefined

Table 7-47 CacheErr Register Field Descriptions (Continued)

Fields		Description	Read/ Write	Reset State
Name	Bits			
EF	24	<p>Error Fatal. Indicates that a fatal cache error has occurred.</p> <p>There are a few situations where software will not be able to get all information about a cache error from the <i>CacheErr</i> register. These situations are fatal because software cannot determine which memory locations have been affected by the error. To enable software to detect these cases, the <i>EF</i> bit (bit 24) has been added to the <i>CacheErr</i> register.</p> <p>The following 6 cases are indicated as fatal cache errors by the <i>EF</i> bit:</p> <ol style="list-style-type: none"> 1. Dirty parity error in dirty victim (dirty bit cleared in tag) 2. Tag parity error in dirty victim 3. Data parity error in dirty victim 4. WB store miss and EW error at the requested index 5. Dual/Triple errors from different transactions, e.g. scheduled and non-scheduled load. 6. Multiple data cache errors detected before the first instruction of the cache error handler is issued. <p>In addition to the above, simultaneous instruction and data cache errors as indicated by <i>CacheErr_{EB}</i> will cause information about the data cache error to be unavailable. However, that situation is not indicated by <i>CacheErr_{EF}</i>.</p>	R	Undefined
SP	23	<p>Scratchpad. Indicates Scratchpad RAM parity error.</p> <p>0: No Scratchpad RAM error detected 1: Scratchpad RAM error detected</p>	R	0
EW	22	<p>Error Way. Indicates a way selection RAM error.</p> <p>0: No way selection RAM error detected 1: Way selection RAM error detected</p>	R	Undefined
Way	21:20	<p>Way. Specifies the cache way in which the error was detected. It is not valid if a Tag RAM error is detected (ET=1) or Scratchpad RAM error is detected (SP=1).</p>	R	Undefined
Index	19:0	<p>Index. Specifies the cache or Scratchpad RAM index of the double word in which the error was detected. The way of the faulty cache is written by hardware in the <i>Way</i> field. Software must combine the <i>Way</i> and <i>Index</i> read in this register with cache configuration information in the <i>Config1</i> register in order to obtain an index which can be used in an indexed CACHE instruction to access the faulty cache data or tag. Note that <i>Index</i> is aligned as a byte index, so it does not need to be shifted by software before it is used in an indexed CACHE instruction. <i>Index</i> bits [4:3] are undefined upon tag RAM errors and <i>Index</i> bits above the MSB actually used for cache indexing will also be undefined.</p> <p>Bits [19:16] are only used used for errors in the Scratchpad RAM.</p>	R	Undefined

7.2.37 TagLo Register (CP0 Register 28, Select 0,2,4)

The *TagLo* register acts as the interface to the cache tag array. The Index Store Tag and Index Load Tag operations of the CACHE instruction use the *TagLo* register as the source of tag information. Note that the 24KE core does not implement the *TagHi* register.

When the *WST* bit of the *ErrCtl* register is asserted, this register becomes the interface to the way-selection RAM. In this mode, the fields are redefined to give appropriate access the contents of the WS array instead of the Tag array. Refer to Figure 9-2 for the layout of the way-selection RAM.

Note that there are separate registers for each of the caches (L1 I-cache: select 0, L1 D-cache: select 2, L2 cache: select 4).

Figure 7-39 TagLo Register Format (ErrCtl_{WST}=0, ErrCtl_{SPR}=0)

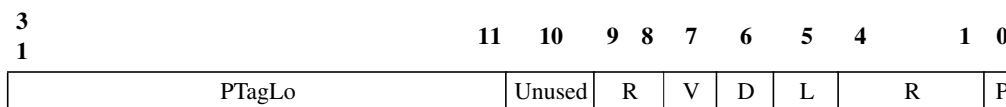


Figure 7-40 TagLo Register Format (ErrCtl_{WST}=1, ErrCtl_{SPR}=0)



Figure 7-41 TagLo Register Format (ErrCtl_{WST}=0, ErrCtl_{SPR}=1)

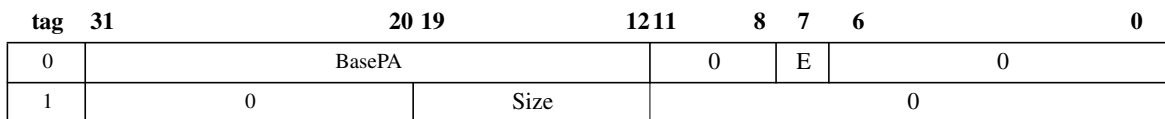


Table 7-48 TagLo Register Field Descriptions

Fields		Description	Read/Write	Reset State
Name	Bit(s)			
PTagLo	31:11	This field contains the physical address of the cache line. Bit 31 corresponds to bit 31 of the PA and bit 11 corresponds to bit 11 of the PA. Bit 11 is only used when 8KB caches are implemented. For other cache sizes, this bit will not exist in the tag and will be written as a 0 on IndexLoadTag operations.	R/W	Undefined
Unused	various	Not used in certain modes of operation.	R/W	Undefined
R	9:8, 4:1	Must be written as zero; returns zero on read.	0	0
V	7	This field indicates whether the cache line is valid.	R/W	Undefined
D	6	This field indicates whether the cache line is dirty. It will only be set if bit 7 (valid) is also set. For L1 I-cache, this field must be written as zero and returns zero on read.	R/W	Undefined

Table 7-48 *TagLo* Register Field Descriptions

Fields		Description	Read/ Write	Reset State
Name	Bit(s)			
L	5	Specifies the lock bit for the cache tag. When this bit is set, and the valid bit is set, the corresponding cache line will not be replaced by the cache replacement algorithm.	R/W	Undefined
P	0	Parity. Specifies the parity bit for the cache tag. This bit is updated with tag array parity on CACHE Index Load Tag operations and used as tag array parity on Index Store Tag operations when the <i>PO</i> bit of the <i>ErrCtl</i> register is set. NOTE: For the Data cache, this parity does not cover the dirty bit; the dirty bit has a separate parity bit placed in the way selection RAM.	R/W	Undefined
WSDP	23:20	Dirty Parity (Optional, D-side only). This field contains the value read from the WS array during a CACHE Index Load WS operation. If the <i>PO</i> field of the <i>ErrCtl</i> register is asserted, then this field is used to store the dirty parity bits during a CACHE Index Store WS operation.	R/W	Undefined
WSD	19:16	Dirty bits (D-side only). This field contains the value read from the WS array after a CACHE Index Load WS operation. It is used to store into the WS array during CACHE Index Store WS operations.	R/W	Undefined
WSLRU	15:10	LRU bits. This field contains the value read from the WS array after a CACHE Index Load WS operation. It is used to store into the WS array during CACHE Index Store WS operations.	R/W	Undefined
BasePA	31:12	When reading pseudo-tag 0 of a scratchpad RAM, this field will contain bits [31:12] of the base address of the scratchpad region	R/W	Undefined
E	7	When reading pseudo-tag 0 of a scratchpad RAM, this bit will indicate whether the scratchpad is enabled	R/W	Undefined
Size	19:12	When reading pseudo-tag 1 of a scratchpad RAM, this field indicates the size of the scratchpad array. This field is the number of 4KB sections it contains. (Combined with the 0's in 11:0, the register will contain the number of bytes in the scratchpad region)	R/W	Undefined

7.2.38 *DataLo* Register (CP0 Register 28, Select 1,3)

The *DataLo* register is a register that acts as the interface to the cache data array and is intended for diagnostic operations only. The Index Load Tag operation of the CACHE instruction reads the corresponding data values into the *DataLo* register. If the WST bit in the *ErrCtl* register is set, then the contents of *DataLo* can be written to the cache data array by doing an Index Store Data CACHE instruction. If the SPR bit in the *ErrCtl* register is set, then the contents of *DataLo* can be written to the scratchpad RAM data array by doing an Index Store Data CACHE instruction.

Note that there are separate *DataLo* registers for each of the primary caches (L1 I-cache: select 1, L1 D-cache: select 3). This register does not exist for the L2 cache.

Figure 7-42 *DataLo* Register Format



Table 7-49 *DataLo* Register Field Description

Fields		Description	Read/W rite	Reset State
Name	Bit(s)			
DATA	31:0	Low-order data read from the cache data array.	R/W	Undefined

7.2.39 DataHi Register (CP0 Register 29, Select 1)

The *DataHi* register is a register that acts as the interface to the cache data array and is intended for diagnostic operations only. The Index Load Tag operation of the CACHE instruction reads the corresponding data values into the *DataHi* register. If the WST bit in the *ErrCtl* register is set, then the contents of *DataHi* can be written to the cache data array by doing an Index Store Data CACHE instruction. If the SPR bit in the *ErrCtl* register is set, then the contents of *DataHi* can be written to the scratchpad RAM data array by doing an Index Store Data CACHE instruction.

The *DataHi* register only exists for the Instruction Cache. The interface to the I-cache only operates on pairs of instructions - the high instruction will be written into the *DataHi* register.

Note that DataHi and DataLo reflect the memory ordering of the instructions. Depending on the endianness of the system, Instruction0 belongs in either DataHi (BigEndian) or DataLo (LittleEndian) and vice versa for Instruction1.

Figure 7-43 DataHi Register Format

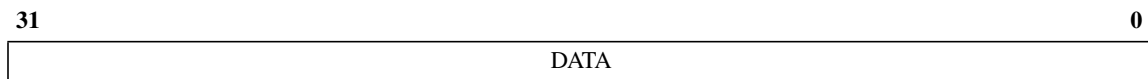


Table 7-50 DataHi Register Field Description

Fields		Description	Read/W rite	Reset State
Name	Bit(s)			
DATA	31:0	High-order data read from the cache data array.	R/W	Undefined

7.2.40 *ErrorEPC* (CP0 Register 30, Select 0)

The *ErrorEPC* register is a read/write register, similar to the *EPC* register, except that *ErrorEPC* is used on error exceptions. All bits of the *ErrorEPC* register are significant and must be writable. It is also used to store the program counter on Reset, Soft Reset, and nonmaskable interrupt (NMI) exceptions.

The *ErrorEPC* register contains the virtual address at which instruction processing can resume after servicing an error. This address can be:

- The virtual address of the instruction that caused the exception
- The virtual address of the immediately preceding branch or jump instruction when the error causing instruction is in a branch delay slot

Unlike the *EPC* register, there is no corresponding branch delay slot indication for the *ErrorEPC* register.

In processors that implement the MIPS16 ASE, a read of the *ErrorEPC* register (via MFC0) returns the following value in the destination GPR:

$$\text{GPR[rt]} \leftarrow \text{ErrorExceptionPC}_{31..1} \parallel \text{ISAMode}_0$$

That is, the upper 31 bits of the error exception PC are combined with the lower bit of the ISAMode field and written to the GPR.

Similarly, a write to the *ErrorEPC* register (via MTC0) takes the value from the GPR and distributes that value to the error exception PC and the ISAMode field, as follows

$$\begin{aligned} \text{ErrorExceptionPC} &\leftarrow \text{GPR[rt]}_{31..1} \parallel 0 \\ \text{ISAMode} &\leftarrow 2\#0 \parallel \text{GPR[rt]}_0 \end{aligned}$$

That is, the upper 31 bits of the GPR are written to the upper 31 bits of the error exception PC, and the lower bit of the error exception PC is cleared. The upper bit of the ISAMode field is cleared and the lower bit is loaded from the lower bit of the GPR.

Figure 7-44 *ErrorEPC* Register Format



Table 7-51 *ErrorEPC* Register Field Description

Fields		Description	Read/Write	Reset State
Name	Bit(s)			
ErrorEPC	31:0	Error Exception Program Counter.	R/W	Undefined

7.2.41 DeSave Register (CP0 Register 31, Select 0)

The Debug Exception Save (*DeSave*) register is a read/write register that functions as a simple memory location. This register is used by the debug exception handler to save one of the GPRs that is then used to save the rest of the context to a pre-determined memory area (such as in the EJTAG Probe). This register allows the safe debugging of exception handlers and other types of code where the existence of a valid stack for context saving cannot be assumed.

Figure 7-45 DeSave Register Format



Table 7-52 DeSave Register Field Description

Fields		Description	Read/ Write	Reset State
Name	Bit(s)			
DESAVE	31:0	Debug exception save contents.	R/W	Undefined

Hardware and Software Initialization of the 24KE™ Core

A 24KE™ processor core contains only a minimal amount of hardware initialization and relies on software to fully initialize the device.

This chapter contains the following sections:

- [Section 8.1, "Hardware-Initialized Processor State"](#)
- [Section 8.2, "Software Initialized Processor State"](#)

8.1 Hardware-Initialized Processor State

A 24KE processor core, like most other MIPS processors, is not fully initialized by hardware reset. Only a minimal subset of the processor state is cleared. This is enough to bring the core up while running in unmapped and uncached code space. All other processor state can then be initialized by software. Unlike previous MIPS processors, there is no distinction between cold and warm resets (or hard and soft resets). *SI_Reset* is used for both power-up reset and soft reset.

8.1.1 Coprocessor 0 State

Much of the hardware initialization occurs in Coprocessor 0.

- *Random* - cleared to maximum value on Reset (TLB MMU only)
- *Wired* - cleared to 0 on Reset (TLB MMU only)
- *Status_{BEV}* - set to 1 on Reset
- *Status_{TS}* - cleared to 0 on Reset
- *Status_{NMI}* - cleared to 0 on Reset
- *Status_{ERL}* - set to 1 on Reset
- *Status_{RP}* - cleared to 0 on Reset
- *WatchLo_{I,R,W}* - cleared to 0 on Reset
- *Config* fields related to static inputs - set to input value by Reset
- *Config_{K0}* - set to 010 (uncached) on Reset
- *Config_{KU}* - set to 010 (uncached) on Reset (FM MMU only)
- *Config_{K23}* - set to 010 (uncached) on Reset (FM MMU only)
- *Debug_{DM}* - cleared to 0 on Reset (unless EJTAGBOOT option is used to boot into DebugMode, see [Chapter 11, "EJTAG Debug Support in the 24KE™ Core."](#) for details)
- *Debug_{LSNM}* - cleared to 0 on Reset
- *Debug_{IBusEP}* - cleared to 0 on Reset
- *Debug_{DBusEP}* - cleared to 0 on Reset
- *Debug_{IEXI}* - cleared to 0 on Reset
- *Debug_{SSi}* - cleared to 0 on Reset

8.1.2 TLB Initialization

Each TLB entry has a “hidden” state bit which is set by Reset and is cleared when the TLB entry is written. This bit disables matches and prevents “TLB Shutdown” conditions from being generated by the power-up values in the TLB array (when two or more TLB entries match on a single address). This bit is not visible to software.

8.1.3 Bus State Machines

All pending bus transactions are aborted and the state machines in the bus interface unit are reset when a Reset exception is taken.

8.1.4 Static Configuration Inputs

All static configuration inputs (defining the bus mode and cache size for example) should only be changed during Reset.

8.1.5 Fetch Address

Upon Reset, unless the EJTAGBOOT option is used, the fetch is directed to VA 0xBFC00000 (PA 0x1FC00000). This address is in KSeg1, which is unmapped and uncached, so that the TLB and caches do not require hardware initialization.

8.2 Software Initialized Processor State

Software is required to initialize the following parts of the device.

8.2.1 Register File

The register file powers up in an unknown state with the exception of r0 which is always 0. Initializing the rest of the register file is not required for proper operation. Good code will generally not read a register before writing to it, but the boot code can initialize the register file for added safety.

8.2.2 TLB

Because of the hidden bit indicating initialization, the core does not initialize the TLB upon Reset. This is an implementation specific feature of the 24KE core and cannot be relied upon if writing generic code for MIPS32/64 processors.

8.2.3 Caches

The cache tag and data arrays power up to an unknown state and are not affected by reset. Every tag in the cache arrays should be initialized to an invalid state using the CACHE instruction (typically the Index Invalidate function). This can be a long process, especially since the instruction cache initialization needs to be run in an uncached address region.

8.2.4 Coprocessor 0 State

Miscellaneous COP0 states need to be initialized prior to leaving the boot code. There are various exceptions which are blocked by ERL=1 or EXL=1 and which are not cleared by Reset. These can be cleared to avoid taking spurious exceptions when leaving the boot code.

- *Cause*: WP (Watch Pending), SW0/1 (Software Interrupts) should be cleared.
- *Config*: K0 should be set to the desired Cache Coherency Algorithm (CCA) prior to accessing Kseg0.
- *Config*: (FM MMU only) KU and K23 should be set to the desired CCA for USeg/KUSeg and KSeg2/3 respectively prior to accessing those regions.
- *Count*: Should be set to a known value if Timer Interrupts are used.
- *Compare*: Should be set to a known value if Timer Interrupts are used. The write to compare will also clear any pending Timer Interrupts (Thus, *Count* should be set before *Compare* to avoid any unexpected interrupts).
- *Status*: Desired state of the device should be set.
- Other COP0 state: Other registers should be written before they are read. Some registers are not explicitly writeable, and are only updated as a by-product of instruction execution or a taken exception. Uninitialized bits should be masked off after reading these registers.

Caches of the 24KE™ Core

This chapter describes the caches present in a 24KE™ processor core. It contains the following sections:

- Section 9.1, "Cache Configurations"
- Section 9.2, "Instruction Cache"
- Section 9.3, "Data Cache"
- Section 9.4, "Uncached Accelerated Stores"
- Section 9.5, "Cache Protocols"
- Section 9.6, "CACHE Instruction"
- Section 9.7, "Software Cache Testing"
- Section 9.8, "Memory Coherence Issues"

9.1 Cache Configurations

A 24KE processor core has separate instruction and data caches which allows instruction and data references to proceed simultaneously. Each of the caches is 4-way set associative and they can be independently configured at build time to be 8, 16, 32, or 64KB. Both caches use a 32B line size and support locking on a per line basis. Parity protection of the cache arrays is an optional feature.

9.2 Instruction Cache

Table 9-1 shows the key characteristics of the instruction cache. Figure 9-1 shows the format of an entry in the three arrays comprising the instruction cache: tag, data, and way-select. Note that for 8KB caches, there is one extra tag bit needed.

Table 9-1 Instruction Cache Attributes

Attribute	With Parity	Without Parity
Size	0, 8, 16, 32, 64KB	
Line Size	32B	
Number of Cache Sets	64,128,256,512	
Associativity	4 way	
Replacement	LRU	
Cache Locking	per line	
Data Array		
Read Unit	79b x 4	70b x 4
Write Unit	79b	70b

Table 9-1 Instruction Cache Attributes

Attribute	With Parity	Without Parity
Tag Array		
Read Unit (8KB)	24b x 4	23b x 4
Read Unit (non-8KB)	23b x 4	22b x 4
Write Unit (8KB)	24b	23b
Write Unit (non-8KB)	23b	22b
Way-Select Array		
Read Unit	6b	
Write Unit	1-6b	

Tag (per way):	1	1	1	20/21
	Parity	Valid	Lock	PA[31:12/11]

Data (per way)¹:	9	6	64	9	6	64	9	6	64	9	6	64
	Parity	Precode	dword3	Parity	Precode	dword2	Parity	Precode	dword1	Parity	Precode	dword0

Way-Select:	6
	LRU

1. Parity Bits in data array will be interleaved with precode and data

Figure 9-1 Instruction Cache Organization

9.2.1 Virtual Aliasing

The instruction cache on the 24KE processor core is virtually indexed and physically tagged. The lower bits of the virtual address are used to access the cache arrays and the physical address is used in the tags. Because the way size can be larger than the minimum TLB page size, there is a potential for virtual aliasing. This means that one physical address can exist in multiple indices within the cache if it is accessed with different virtual addresses.

This reduces the cache efficiency somewhat, but is generally not a problem unless the instruction stream is being written to. When instructions are written, software must ensure that the store data is written out to memory and the old data is invalidated in the instruction cache (via the CACHE or SYNCI instruction). Because one physical address can exist in multiple locations, the cache should be invalidated using all of the virtual addresses used to access that physical address. Alternatively, all of the relevant cache indices or the entire cache can be invalidated.

9.2.2 Precode bits

In order for the fetch unit to quickly detect branches and jumps when executing code, the instruction cache array contains some additional precode bits. These bits indicate the type and location of branch or jump instructions within a 64b fetch bundle. These precode bits are not used when executing MIPS16e code.

9.2.3 Parity

Parity protection of the instruction cache arrays can optionally be included. The data array has a 9 parity bits - one for the 6 precode bits and one for each byte of the 64b data. The tag array has a single parity bit for each tag. The LRU array does not have any parity.

9.3 Data Cache

The data cache is similar to the instruction cache, with a few key differences. The data cache does not contain any precode information. To handle store bytes, the data array is byte accessible and the optional data parity is 1 bit per byte. Additionally, the way-select array for the data cache also holds the dirty bits (and optional dirty parity bits) for each cache line, in addition to the LRU information.

Table 9-2 shows the key characteristics of the data cache. Figure 9-2 shows the format of an entry in the three arrays comprising the data cache: tag, data, and way-select.

Table 9-2 Data Cache Attributes

Attribute	With Parity	Without Parity
Size	0, 8, 16, 32, 64KB	
Line Size	32B	
Number of Cache Sets	64,128,256,512	
Associativity	4 way	
Replacement	LRU	
Cache Locking	per line	
Data Array		
Read Unit	72b x 4	64b x 4
Write Unit	9b	8b
Tag Array		
Read Unit (8KB)	24b x 4	23b x 4
Read Unit (non-8KB)	23b x 4	22b x 4
Write Unit (8KB)	24b	23b
Write Unit (non-8KB)	23b	22b
Way-Select Array		
Read Unit	14b	10b
Write Unit	1-14b	

Figure 9-2 Data Cache Organization

Tag (per way):	1	1	1	20/21
	Parity	Valid	Lock	PA[31:12/11]

Data (per way):	1	8	9x30	1	8
	Parity	Data31	...	Parity	Data0

Way-Select:	6	1	1	1	1	1	1	1
	LRU	Parity	Dirty3	Parity	Dirty2	Parity	Dirty1	Parity

9.3.1 Parity

Parity protection of the data cache arrays can optionally be included. The data array requires a parity bit for each byte, to correspond to the minimum write quantum for a store. The tag array has a single parity bit for each tag. The way-select array has separate parity bits to cover each dirty bit, but the LRU bits are not covered by parity.

9.4 Uncached Accelerated Stores

Uncached Accelerated gathering is supported for word and double word stores only.

Gathering of uncached accelerated stores will start on cache-line aligned addresses, i.e. 32 byte aligned addresses. Uncached accelerated word or double word stores that do not meet the conditions required to start gathering will be treated like regular uncached stores.

Once an uncached accelerated store meets the requirements needed to start gathering a gather buffer is reserved for this store. All subsequent uncached accelerated word or double word stores to the same cache line will write sequentially into this buffer, independent of the word address associated with these stores. The uncached accelerated buffer is tagged with the address of the first store.

An uncached accelerated buffer is written to memory (flushed) if:

1. The last word in the entry being gathered is written. (Implicit flush)
2. A PREF Nudge which match the address associated with the gather buffer (Explicit flush).
3. A SYNC instruction is executed. (Explicit flush)
4. Bits <31:5> of the address of a Load instruction match the address associated with the gather buffer. (Implicit flush)
5. Uncached Accelerated store to a different 32B line (Implicit flush)
6. An exception occurs. (Implicit flush)

When an uncached accelerated buffer is flushed, the address sent out on the system interface is the address associated with the gather buffer.

Caveats:

- Any uncached stores and any uncached loads to unrelated addresses that occur between uncached accelerated stores that are part of a gather sequence will go out of order. They will not enforce ordering.
- The only constraint imposed on the gathering is that doubleword stores are only allowed to write to double word aligned locations in the buffer. For example if uncached accelerated gathering starts with a Store Word (SW), it may not be followed by a Store Double (SDC1).
- Uncached accelerated stores of the following types are not intended to be used by software and may generate unpredictable results:
 1. Half word Stores
 2. Unaligned Stores
 3. Store conditionals
- In order for software to be able to run functionally correct on implementations without uncached accelerated stores, software should always generate accesses starting on a cache-line aligned address, proceed to generate correctly incremented sequential addresses and observe the restrictions for uncached accelerated stores.

9.5 Cache Protocols

This section describes cache organization, attributes, and cache-line replacement for the instruction and data caches. This section also discusses issues relating to virtual aliasing.

9.5.1 Cache Organization

The instruction and data caches each consist of three arrays: tag, data and way-select. The caches are virtually indexed, since a virtual address is used to select the appropriate line within each of the three arrays. The caches are physically tagged, as the tag array contains a physical, not virtual, address.

The tag and data arrays hold 4 ways of information per set, corresponding to the 4-way set associativity of the cache. The way-select array holds information to choose the way to be filled, as well as dirty bits in the case of the data cache.

Figure 9-1 (instruction cache) and Figure 9-2 (data cache) show the format of each line in the tag, data and way-select arrays.

A tag entry consists of the upper 20 or 21 bits of the physical address (bits [31:12/11]) (bit 11 is only used for 8KB caches), one valid bit for the line, and a lock bit. A data entry contains the four 64-bit doublewords in the line, for a total of 32 bytes. All four words in the line are present or not in the data array together, hence the single valid bit stored with the tag. Once a valid line is resident in the cache, byte, halfword, triple-byte or full word stores can update all or a portion of the words in that line. The tag and data entries are repeated for each of the 4 lines in the set.

A way-select entry holds bits choosing the way to be replaced according to a Least Recently Used (LRU) algorithm. The LRU information applies to all the ways and there is one way-select entry for all the ways in the set. The array with way-select entries for the data cache also holds dirty bits for the lines. One dirty bit is required per line, as shown in Figure 9-2. The instruction cache only supports reads, hence only LRU entries are stored in the instruction way-select array.

9.5.2 Cacheability Attributes

A 24KE core supports the following cacheability attributes:

- *Uncached*: Addresses in a memory area indicated as uncached are not read from the cache. Stores to such addresses are written directly to main memory, without changing cache contents.
- *Write-back with write allocation*: Loads and instruction fetches first search the cache, reading main memory only if the desired data does not reside in the cache. On data store operations, the cache is first searched to see if the target address is cache resident. If it is resident, the cache contents are updated, but main memory is not written. If the cache lookup misses on a store, main memory is read to bring the line into the cache and merge it with the new store data. Hence, the allocation policy on a cache miss is read- or write-allocate. Data stores will update the appropriate dirty bit in the way-select array to indicate that the line contains modified data. When a line with dirty data is displaced from the cache, it is written back to memory.
- *Write-through with no write allocation*: Loads and instruction fetches first search the cache, reading main memory only if the desired data does not reside in the cache. On data store operations, the cache is first searched to see if the target address is cache resident. If it is resident, the cache contents are updated, and main memory is also written. If the cache lookup misses on a store, only main memory is written. Hence, the allocation policy on a cache miss is read-allocate only.
- *Uncached Accelerated*: *Uncached stores are gathered together for more efficient bus utilization.* See Section 9.4, "Uncached Accelerated Stores" for more details

Some segments of memory employ a fixed caching policy; for example kseg1 is always uncacheable. Other segments of memory allow the caching policy to be selected by software. Generally, the cache policy for these programmable regions is defined by a cacheability attribute field associated with that region of memory. See Chapter 5, "Memory Management of the 24KE™ Core," on page 77 for further details.

9.5.3 Replacement Policy

The replacement policy refers to how a way is chosen to hold an incoming cache line on a miss which will result in a cache fill. The replacement policy is least recently used (LRU), but excluding any locked ways. The LRU bit(s) in the way-select array encode the order in which ways on that line have been accessed.

On a cache miss, the lock and LRU bits for the tag and way-select entries of the selected line may be used to determine the way which will be chosen.

The LRU field in the way select array is updated as follows:

- On a cache hit, the associated way is updated to be the most recently used. The order of the other ways relative to each another is unchanged.
- On a cache refill, the filled way is updated to be the most recently used.
- On CACHE instructions, the update of the LRU bits depends on the type of operation to be performed:
 - **Index (Writeback) Invalidate:** Least-recently used.
 - **Index Load Tag:** No update.
 - **Index Store Tag, WST=0:** Most-recently used if valid bit is set in *TagLo* CP0 register. Least-recently used if valid bit is cleared in *TagLo* CP0 register.
 - **Index Store Tag, WST=1:** Update the field with the contents of the *TagLo* CP0 register (refer to Table 9-4 for the valid values of this field).
 - **Index Store Data:** No update.
 - **Hit Invalidate:** Least-recently used if a hit is generated, otherwise unchanged.
 - **Fill:** Most-recently used.
 - **Hit (Writeback) Invalidate:** Least-recently used if a hit is generated, otherwise unchanged.
 - **Hit Writeback:** No update.
 - **Fetch and Lock:** For instruction cache, no update. For data cache, most-recently used.

If all ways are valid, then any locked ways will be excluded from consideration for replacement. For the unlocked ways, the LRU bits are used to identify the way which has been used least recently, and that way is selected for replacement.

The 24KE core does not support the locking of all 4 ways of either cache at a particular index. If all 4 ways of the cache at a given index are locked by either Fetch and Lock or Index Store Tag CACHE instructions, subsequent cache misses at that cache index will displace one of the locked lines.

If the way selected for replacement has its dirty bit asserted in the way-select array, then that 32-byte line will be written back to memory before the new fill can occur.

9.5.4 Virtual Aliasing

Since the caches are virtually indexed and physically tagged, a potential issue referred to as *virtual aliasing* might exist. Virtual aliasing occurs if the virtual bits used to index a cache array are not consistent with the overlapping physical bits, after the virtual address has been translated to a physical address. The possibility of virtual aliasing only occurs in address regions which are mapped through a TLB-based memory management unit.

In TLB-mapped address regions, virtual aliasing may occur if the cache size per way is greater than the page size. For example, consider a 32KB cache organized as 4-way set associative. The size per way is then 8 KB, so virtual address bits [12:0] are used to index the array. If the address is in a translated region with a page size of 4 KB, then address bits [11:0] are untranslated but address bits [31:12] will be mapped and for these bits the virtual and physical addresses may

be different. In this example, bit [12] could pose a potential problem due to virtual aliasing. Imagine two virtual addresses, VA0 and VA1, whose only difference is the value of bit [12], which map to the same physical address. These two virtual addresses would be indexed to two different lines by the cache, even though they were intended to represent the same physical address. Then if a program does a load using VA0 and a store using VA1, or vice-versa, the cache may not return the expected data.

Table 9-3 shows the overlapped virtual/physical address bits which could potentially be involved in virtual aliasing, given the possible minimum page sizes and cache way sizes supported by a 24KE core. Virtual aliasing is generally only a problem for the D-cache, since stores don't happen to the I-cache. For the 32KB case, a special hardware mechanism is available to prevent the possibility of virtual aliasing. For a 64KB cache, it must be handled by software. The software solution must ensure that the mapping of virtual address bits which overlap with physical address bits be handled consistently. The simplest approach is to ensure that the overlapping bits are unity-mapped (VA equals PA).

Table 9-3 Potential Virtual Aliasing Bits

Minimum Page Size (KB)	Cache Way Size (KB)	Overlapped address bits with possible aliasing
4	8	[12]
	16	[13:12]
8	16	[13]

A related issue can occur in virtually indexed, physically tagged caches if the number of physical bits stored in the tag array does not fully overlap the physically translated bits for the smallest page size. For a 24KE core, there are always at least 20 address bits stored in the cache tag, representing bits [31:12] of the physical address. Since the minimum page size is 4KB with bits [31:12] physically translated by the TLB, the cache tag size does overlap the translated bits and this issue will not occur.

9.6 CACHE Instruction

Both caches support the CACHE instructions, which allow users to manipulate the contents of the Data and Tag arrays, including the locking of individual cache lines. Note that before the CACHE instructions are allowed to execute, all initiated refills are completed and stores are sent to the write buffer. The CACHE instructions are described in detail in Chapter 13, “24KE™ Processor Core Instructions,” on page 299.

The CACHE Index Load Tag and Index Store Tag instructions can be used to read and write the WS- RAM by setting the *WST* bit in the *ErrCtl* register. (The *ErrCtl* register is described in Section 7.2.35, “ErrCtl Register (CP0 Register 26, Select 0)” on page 199.) The *SPR* bit in the *ErrCtl* register will cause Index Load Tag and Index Store Tag instructions to read the pseudo-tags associated with the scratchpad RAM arrays. Note that when the *WST* and *SPR* bits are zero, the CACHE index instructions access the cache Tag array.

Not all values of the *WS* field are valid for defining the order in which the ways are selected. This is only an issue, however, if the WS-RAM is written after the initialization (invalidation) of the Tag array. Valid *WS* field encodings for way selection order is shown in Table 9-4.

Table 9-4 Way Selection Encoding, 4 Ways

Selection Order ¹	WS[5:0]	Selection Order	WS[5:0]
0123	000000	2013	100010
0132	000001	2031	110010
0213	000010	2103	100110

Table 9-4 Way Selection Encoding, 4 Ways (Continued)

Selection Order ¹	WS[5:0]	Selection Order	WS[5:0]
0231	010010	2130	101110
0312	010001	2301	111010
0321	010011	2310	111110
1023	000100	3012	011001
1032	000101	3021	011011
1203	100100	3102	011101
1230	101100	3120	111101
1302	001101	3201	111011
1320	101101	3210	111111

1. The order is indicated by listing the least-recently used way to the left and the most-recently used way to the right, etc.

9.7 Software Cache Testing

Typically, the cache RAM arrays will be tested using BIST. It is, however, possible for software running on the processor to test all of the arrays. Of course, testing of the I-cache arrays should be done from an uncacheable space with interrupts disabled in order to maintain the cache contents. There are multiple methods for testing these arrays in software, only one is presented here.

9.7.1 I-Cache/D-cache Tag Arrays

These arrays can be tested via the Index Load Tag and Index Store Tag varieties of the CACHE instruction. Index Store Tag will write the contents of the *TagLo* register into the selected tag entry. Index Load Tag will read the selected tag entry into the *TagLo*.

If parity is implemented, the parity bits can be tested as a normal bit by setting the PO bit in the ErrCtl register. This will override the parity calculation and write P bit in *TagLo* as the parity value.

9.7.2 I-Cache Data Array

This array can be tested using the Index Store Data and Index Load Tag varieties of the CACHE instruction. The Index Store Data variety is enabled by setting the WST bit in the ErrCtl register.

The precode bits in the array can be tested by setting the PCO bit in the ErrCtl register. This will write the PCI field in the ErrCtl register instead of calculating the precode bits on a write.

The parity bits in the array can be tested by setting the PO bit in the ErrCtl register. This will use the PI field in ErrCtl instead of calculating the parity on a write.

The rest of the data bits are read/written to/from the *DataLo* and *DataHi* registers.

9.7.3 I-Cache WS Array

The testing of this array is done with via Index Load Tag and Index Store Tag CACHE instructions. By setting the WST bit in the ErrCtl register, these operations will read and write the WS array instead of the tag array.

9.7.4 D-Cache Data Array

This array can be tested using the Index Store Tag CACHE, SW, and LW instructions. First, use Index Store Tag to set the initial state of the tags to valid with a known physical address (PA). Write the array using SW instructions to the PAs that are resident in the cache. The value can then be read using LW instructions and compared to the expected data.

The parity bits can be implicitly tested using this mechanism. The parity bits can be explicitly tested by setting the PO bit in ErrCtl and using Index Store Data and Index Load Tag CACHE operations. The parity bits (one bit per byte) are read/written to/from the PD field in ErrCtl. Unlike the I-cache, the DataHi register is not used and only 32b of data is read/written per operation.

9.7.5 D-cache WS Array

The dirty bits in this array will be tested when the data tag is tested. The LRU bits can be tested using the same mechanism as the I-cache WS array.

9.8 Memory Coherence Issues

A cache presents coherency issues within the memory hierarchy which must be considered in the system design. Since a cache holds a copy of memory data, it is possible for another memory master to modify a memory location, thus making other copies of that location stale if those copies are still in use. A detailed discussion of memory coherence is beyond the scope of this document, but following are a few related comments.

A24KE processor contains no direct hardware support for managing coherency with respect to its caches, so it must be handled via system design or software. The data cache supports either write-back or write-through protocols.

In write-through mode, all data writes will eventually be sent to memory. Due to write buffers, however, there could be a delay in how long it takes for the write to memory to actually occur. If another memory master updates cacheable memory which could also be in the cores caches, then those locations may need to be flushed from the cache. The only way to accomplish this invalidation is by use of the CACHE instruction.

In write-back mode, data writes only go to the cache and not to memory. So the processor cache may contain the *only* copy of data in the system until that data is written to main memory. Dirty lines are only written to memory when displaced from the cache as a new line is filled or if explicitly forced by certain flavors of the CACHE or PREF instructions.

The SYNC instruction may also be useful to software enforcing memory coherence, as it flushes the core's write buffers.

Power Management in the 24KE™ Core

A 24KE™ processor core offers a number of power management features, including low-power design, active power management and power-down modes of operation. The core is a static design that supports a WAIT instruction designed to signal the rest of the device that execution and clocking should be halted, reducing system power consumption during idle periods.

The core provides two mechanisms for system level low-power support discussed in the following sections.

- [Section 10.1, "Register-Controlled Power Management"](#)
- [Section 10.2, "Instruction-Controlled Power Management"](#)

10.1 Register-Controlled Power Management

The RP bit in the CP0 *Status* register enables a standard software mechanism for placing the system into a low power state. The state of the RP bit is available externally via the *SI_RP* output signal. Three additional pins, *SI_EXL*, *SI_ERL*, and *EJ_DebugM* support the power management function by allowing the user to change the power state if an exception or error occurs while the core is in a low power state.

Setting the RP bit of the CP0 *Status* register causes the core to assert the *SI_RP* signal. The external agent can then decide whether to reduce the clock frequency and place the core into power down mode.

If an interrupt is taken while the device is in power down mode, that interrupt may need to be serviced depending on the needs of the application. The interrupt causes an exception which in turn causes the EXL bit to be set. The setting of the EXL bit causes the assertion of the *SI_EXL* signal on the external bus, indicating to the external agent that an interrupt has occurred. At this time the external agent can choose to either speed up the clocks and service the interrupt or let it be serviced at the lower clock speed.

The setting of the ERL bit causes the assertion of the *SI_ERL* signal on the external bus, indicating to the external agent that an error has occurred. At this time the external agent can choose to either speed up the clocks and service the error or let it be serviced at the lower clock speed.

Similarly, the *EJ_DebugM* signal indicates that the processor is in debug mode. Debug mode is entered when the processor takes a debug exception. If fast handling of this is desired, the external agent can speed up the clocks.

The core provides four power down signals that are part of the system interface. Three of the pins change state as the corresponding bits in the CP0 *Status* register are set or cleared. The fourth pin indicates that the processor is in debug mode:

- The *SI_RP* signal represents the state of the RP bit (27) in the CP0 *Status* register.
- The *SI_EXL* signal represents the state of the EXL bit (1) in the CP0 *Status* register.
- The *SI_ERL* signal represents the state of the ERL bit (2) in the CP0 *Status* register.
- The *EJ_DebugM* signal indicates that the processor has entered debug mode.

10.2 Instruction-Controlled Power Management

The second mechanism for invoking power down mode is through execution of the WAIT instruction. The WAIT instruction brings the processor into a low power state where the internal clocks are suspended and the pipeline is frozen. However, the internal timer and some of the input pins (*SI_Int*[5:0], *SI_NMI*, *SI_Reset*, and *EJ_DINT*) continue to run. The clocks are not shut down until all bus and coprocessor transactions have completed. Once the CPU is in instruction controlled power management mode, any enabled interrupt, NMI, debug interrupt, or reset condition causes the CPU to exit this mode and resume normal operation. While the core is in this low-power mode, the *SI_SLEEP* signal is asserted to indicate to external agents what the state of the chip is.

EJTAG Debug Support in the 24KE™ Core

The EJTAG debug logic in the 24KE™ processor core includes:

1. Standard core debug features
2. Optional hardware breakpoints
3. Standard Test Access Port (TAP) for a dedicated connection to a debug host
4. Optional MIPS Trace capability for program counter/data address/data value trace to On-chip memory or to Trace probe

This chapter contains the following sections:

- Section 11.1, "Debug Control Register" on page 226
- Section 11.2, "Hardware Breakpoints" on page 228
- Section 11.3, "Test Access Port (TAP)" on page 247
- Section 11.4, "EJTAG TAP Registers" on page 254
- Section 11.5, "TAP Processor Accesses" on page 263
- Section 11.6, "PC Sampling" on page 264
- Section 11.7, "MIPS Trace" on page 265
- Section 11.8, "PDtrace™ Registers (software control)" on page 269
- Section 11.9, "Trace Control Block (TCB) Registers (hardware control)" on page 270
- Section 11.10, "Enabling MIPS Trace" on page 285
- Section 11.11, "TCB Trigger logic" on page 288
- Section 11.12, "MIPS Trace cycle-by-cycle behavior" on page 290
- Section 11.13, "TCB On-Chip Trace Memory" on page 292

11.1 Debug Control Register

The Debug Control Register (*DCR*) register controls and provides information about debug issues, and is always provided with the CPU core. The register is memory-mapped in *drseg* at offset 0x0.

The *DataBrk* and *InstBrk* bits indicate if hardware breakpoints are included in the implementation, and debug software is expected to read hardware breakpoint registers for additional information.

Hardware and software interrupts are maskable for non-debug mode with the *INTE* bit, which works in addition to the other mechanisms for interrupt masking and enabling. *NMI* is maskable in non-debug mode with the *NMIE* bit, and a pending *NMI* is indicated through the *NMIP* bit.

The *SRE* bit allows implementation dependent masking of some sources for reset. The 24KE core does not distinguish between soft and hard reset, but typically only soft reset sources in the system would be maskable and hard sources such as the reset switch would not be. The soft reset masking should only be applied to a soft reset source if that source can be efficiently masked in the system, thus resulting in no reset at all. If that is not possible, then that soft reset source should not be masked, since a partial soft reset may cause the system to fail or hang. There is no automatic indication of whether the *SRE* is effective, so the user must consult system documentation.

The *PE* bit reflects the *ProbEn* bit from the EJTAG Control register (*ECR*), whereby the probe can indicate to the debug software running on the CPU if the probe expects to service *dmseg* accesses. The reset value in the table below takes effect on any CPU reset.

Debug Control Register

31	30	29	28	18	17	16	15	10	9	8	6	5	4	3	2	1	0
Res	ENM		Res	DB	IB		Res	PCS	PCR	0	INTE	NMIE	NMIP	SRE	PE		

Table 11-1 Debug Control Register Field Descriptions

Fields		Description	Read/Write	Reset State
Name	Bit(s)			
Res	31:30	Reserved	R	0
ENM	29	Endianess in Kernel and Debug mode. 0: Little Endian 1: Big Endian	R	Preset
Res	28:18	Reserved	R	0
DB	17	Data Break Implemented. 0: No Data Break feature implemented 1: Data Break feature is implemented	R	Preset
IB	16	Instruction Break Implemented. 0: No Instruction Break feature implemented 1: Instruction Break feature is implemented	R	Preset
Res	15:10	Reserved	R	0
PCS	9	Program Counter Sampling Implemented 0: No PC Sampling implemented 1: PC Sampling implemented	R	1

Table 11-1 *Debug Control Register Field Descriptions (Continued)*

Fields		Description	Read/ Write	Reset State
Name	Bit(s)			
PCR	8:6	PC Sampling Rate: Values from 0 to 7 map to 2^5 to 2^{12} respectively. That is, a PC sample is written out every 32, 64, 128, 256, 512, 1024, 2048, or 4096 cycles. The external probe or software is allowed to set this value to the desired sample rate	R/W	7
INTE	4	Interrupt Enable in Normal Mode. This bit provides the hardware and software interrupt enable for non-debug mode, in addition to other masking mechanisms: 0: Interrupts disabled. 1: Interrupts enabled (depending on other enabling mechanisms).	R/W	1
NMIE	3	Non-Maskable Interrupt Enable for non-debug mode 0: NMI disabled. 1: NMI enabled.	R/W	1
NMIP	2	NMI Pending Indication. 0: No NMI pending. 1: NMI pending.	R	0
SRE	1	Soft Reset Enable This bit allows the system to mask soft resets. The core does not internally mask resets. Rather the state of this bit appears on the <i>EJ_SRstE</i> external output signal, allowing the system to mask soft resets if desired.	R/W	1
PE	0	Probe Enable This bit reflects the ProbEn bit in the EJTAG Control register. 0: No accesses to dmseg allowed 1: EJTAG probe services accesses to dmseg	R	Same value as ProbEn in ECR (see Table 11-25)

11.2 Hardware Breakpoints

Hardware breakpoints provide for the comparison by hardware of executed instructions and data load/store transactions. It is possible to set instruction breakpoints on addresses even in ROM area. Data breakpoints can be set to cause a debug exception on a specific data transaction. Instruction and data hardware breakpoints are alike for many aspects, and are thus described in parallel in the following. The term hardware is not applied to breakpoint, unless required to distinguish it from software breakpoint.

There are two types of simple hardware breakpoints implemented in the 24KE core; Instruction breakpoints and Data breakpoints.

A core may be configured with the following breakpoint options:

- Zero or four instruction breakpoints
- Zero or two data breakpoints

11.2.1 Features of Instruction Breakpoint

Instruction breaks occur on instruction fetch operations and the break is set on the virtual address on the bus between the CPU and the instruction cache. Instruction breaks can also be made on the ASID value used by the TLB-based MMU. Finally, a mask can be applied to the virtual address to set breakpoints on a range of instructions.

Instruction breakpoints compare the virtual address of the executed instructions (PC) and the ASID with the registers for each instruction breakpoint including masking of address and ASID. When an instruction breakpoint matches, a debug exception and/or a trigger is generated. An internal bit in the instruction breakpoint registers is set to indicate that the match occurred.

11.2.2 Features of Data Breakpoint

Data breakpoints occur on load/store transactions. Breakpoints are set on virtual address and ASID values, similar to the Instruction breakpoint. Data breakpoints can be set on a load, a store or both. Data breakpoints can also be set based on the value of the load/store operation. Finally, masks can be applied to both the virtual address and the load/store value.

Data breakpoints compare the transaction type (TYPE), which may be load or store, the virtual address of the transaction (ADDR), the ASID, accessed bytes (BYTELANE) and data value (DATA), with the registers for each data breakpoint including masking or qualification on the transaction properties. When a data breakpoint matches, a debug exception and/or a trigger is generated, and an internal bit in the data breakpoint registers is set to indicate that the match occurred. The match is precise in that the debug exception or trigger occurs on the instruction that caused the breakpoint to match.

11.2.3 Instruction Breakpoint Registers Overview

The register with implementation indication and status for instruction breakpoints in general is shown in [Table 11-2](#).

Table 11-2 Overview of Status Register for Instruction Breakpoints

Register Mnemonic	Register Name and Description
<i>IBS</i>	Instruction Breakpoint Status

The four instruction breakpoints are numbered 0 to 3 for registers and breakpoints, and the number is indicated by n. The registers for each breakpoint are shown in [Table 11-3](#).

Table 11-3 Overview of Registers for Each Instruction Breakpoint

Register Mnemonic	Register Name and Description
<i>IBAn</i>	Instruction Breakpoint Address n
<i>IBMn</i>	Instruction Breakpoint Address Mask n
<i>IBASIDn</i>	Instruction Breakpoint ASID n
<i>IBCn</i>	Instruction Breakpoint Control n

11.2.4 Data Breakpoint Registers Overview

The register with implementation indication and status for data breakpoints in general is shown in [Table 11-4](#).

Table 11-4 Overview of Status Register for Data Breakpoints

Register Mnemonic	Register Name and Description
<i>DBS</i>	Data Breakpoint Status

The two data breakpoints are numbered 0 and 1 for registers and breakpoints, and the number is indicated by n. The registers for each breakpoint are shown in [Table 11-5](#).

Table 11-5 Overview of Registers for each Data Breakpoint

Register Mnemonic	Register Name and Description
<i>DBAn</i>	Data Breakpoint Address n
<i>DBMn</i>	Data Breakpoint Address Mask n
<i>DBASIDn</i>	Data Breakpoint ASID n
<i>DBCn</i>	Data Breakpoint Control n
<i>DBVn</i>	Data Breakpoint Value n

11.2.5 Conditions for Matching Breakpoints

A number of conditions must be fulfilled in order for a breakpoint to match on an executed instruction or a data transaction, and the conditions for matching instruction and data breakpoints are described below. The breakpoints only match for instructions executed in non-debug mode, thus never on instructions executed in debug mode.

The match of an enabled breakpoint can either generate a debug exception or a trigger indication. The BE and/or TE bits in the *IBCn* or *DBCn* registers are used to enable the breakpoints.

Debug software should not configure breakpoints to compare on an ASID value unless a TLB is present in the implementation.

11.2.5.1 Conditions for Matching Instruction Breakpoints

When an instruction breakpoint is enabled, that breakpoint is evaluated for the address of every executed instruction in non-debug mode, including execution of instructions at an address causing an address error on an instruction fetch. The breakpoint is not evaluated on instructions from a speculative fetch or execution, nor for addresses which are unaligned with an executed instruction.

A breakpoint match depends on the virtual address of the executed instruction (PC) which can be masked at bit level, and match also can include an optional compare of ASID value. The registers for each instruction breakpoint have the values and mask used in the compare, and the equation that determines the match is shown below in C-like notation.

```
IB_match =
    ( ! IBCn_ASIDuse || ( ASID == IBASIDn_ASID ) ) &&
    ( <all 1's> == ( IBMn_IBM | ~ ( PC ^ IBAn_IBA ) ) &&
    ( ( IBMn_ISAM | ~(ISAMode ^ IBAn_ISA) ) ) )
```

The match indication for instruction breakpoints is always precise, i.e. indicated on the instruction causing the IB_match to be true.

11.2.5.2 Conditions for Matching Data Breakpoints

When a data breakpoint is enabled, that breakpoint is evaluated for every data transaction due to a load/store instruction executed in non-debug mode, including load/store for coprocessor, and transactions causing an address error on data access. The breakpoint is not evaluated due to a PREF instruction or other transactions which are not part of explicit load/store transactions in the execution flow, nor for addresses which are not the explicit load/store source or destination address.

A breakpoint match depends on the transaction type (TYPE) as load or store, the address, and optionally the data value of a transaction. The registers for each data breakpoint have the values and mask used in the compare, and the equation that determines the match is shown below in C-like notation.

The overall match equation is the DB_match.

```
DB_match =
    ( ( ( TYPE == load ) && ! DBCn_NoLB ) ||
    ( ( TYPE == store ) && ! DBCn_NoSB ) ) &&
    DB_addr_match && ( DB_no_value_compare || DB_value_match )
```

The match on the address part, DB_addr_match, depends on the virtual address of the transaction (ADDR), the ASID value, and the accessed bytes (BYTELANE) where BYTELANE[0] is 1 only if the byte at bits [7:0] on the bus is accessed, and BYTELANE[1] is 1 only if the byte at bits [15:8] is accessed, etc. The DB_addr_match is shown below.

```
DB_addr_match =
    ( ! DBCn_ASIDuse || ( ASID == DBASIDn_ASID ) ) &&
    ( <all 1's> == ( DBMn_DBM | ~ ( ADDR ^ DBAn_DBA ) ) ) &&
    ( <all 0's> != ( ~ BAI & BYTELANE ) )
```

The size of *DBCn_BAI* and BYTELANE is 8 bits. They are 8 bits to allow for data value matching on doubleword floating point loads and stores. For non-doubleword loads and stores, only the lower 4 bits will be used.

Data value compare is included in the match condition for the data breakpoint depending on the bytes (BYTELANE as described above) accessed by the transaction, and the contents of breakpoint registers. The DB_no_value_compare is shown below.

```
DB_no_value_compare =
    ( <all 1's> == ( DBCn_BLM | DBCn_BAI | ~ BYTELANE ) )
```

The size of $DBCn_{BLM}$, $DBCn_{BAI}$ and $BYTELANE$ is 8 bits.

In case a data value compare is required, $DB_no_value_compare$ is false, then the data value from the data bus ($DATA$) is compared and masked with the registers for the data breakpoint. The endianness is not considered in these match equations for value, as the compare uses the data bus value directly, thus debug software is responsible for setup of the breakpoint corresponding with endianness.

```
DB_value_match =
  ( ( DATA[7:0] == DBVn_DBV[7:0] ) || !BYTELANE[0] || DBCn_BLM[0] || DBCn_BAI[0] ) &&
  ( ( DATA[15:8] == DBVn_DBV[15:8] ) || !BYTELANE[1] || DBCn_BLM[1] || DBCn_BAI[1] ) &&
  ( ( DATA[23:16] == DBVn_DBV[23:16] ) || !BYTELANE[2] || DBCn_BLM[2] || DBCn_BAI[2] ) &&
  ( ( DATA[31:24] == DBVn_DBV[31:24] ) || !BYTELANE[3] || DBCn_BLM[3] || DBCn_BAI[3] ) &&
  ( ( DATA[39:32] == DBVn_DBV[39:32] ) || !BYTELANE[4] || DBCn_BLM[4] || DBCn_BAI[4] ) &&
  ( ( DATA[47:40] == DBVn_DBV[47:40] ) || !BYTELANE[5] || DBCn_BLM[5] || DBCn_BAI[5] ) &&
  ( ( DATA[55:48] == DBVn_DBV[55:48] ) || !BYTELANE[6] || DBCn_BLM[6] || DBCn_BAI[6] ) &&
  ( ( DATA[63:56] == DBVn_DBV[63:56] ) || !BYTELANE[7] || DBCn_BLM[7] || DBCn_BAI[7] )
```

The match for a data breakpoint without value compare is always precise, since the match expression is fully evaluated at the time the load/store instruction is executed. A true DB_match can thereby be indicated on the very same instruction causing the DB_match to be true. The match for data breakpoints with value compare is always imprecise.

11.2.6 Debug Exceptions from Breakpoints

Instruction and data breakpoints may be set up to generate a debug exception when the match condition is true, as described below.

11.2.6.1 Debug Exception by Instruction Breakpoint

If the breakpoint is enabled by BE bit in the $IBCn$ register, then a debug instruction break exception occurs if the IB_match equation is true. The corresponding $BS[n]$ bit in the IBS register is set when the breakpoint generates the debug exception.

The debug instruction break exception is always precise, so the $DEPC$ register and DBD bit in the *Debug* register point to the instruction that caused the IB_match equation to be true.

The instruction receiving the debug exception does not update any registers due to the instruction, nor does any load or store by that instruction occur. Thus a debug exception from a data breakpoint can not occur for instructions receiving a debug instruction break exception.

The debug handler usually returns to the instruction causing the debug instruction break exception, whereby the instruction is executed. Debug software is responsible for disabling the breakpoint when returning to the instruction, otherwise the debug instruction break exception reoccurs.

11.2.6.2 Debug Exception by Data Breakpoint

If the breakpoint is enabled by BE bit in the $DBCn$ register, then a debug exception occurs when the DB_match condition is true. The corresponding $BS[n]$ bit in the DBS register is set when the breakpoint generates the debug exception. A matching data breakpoint generates either a precise or imprecise debug exception

Debug Data Break Load/Store Exception as a Precise Debug Exception

A precise debug data break exception occurs when a data breakpoint without value compare indicates a match. In this case the *DEPC* register and *DBD* bit in the *Debug* register points to the instruction that caused the *DB_match* equation to be true.

The instruction causing the debug data break exception does not update any registers due to the instruction, and the following applies to the load or store transaction causing the debug exception:

- A store transaction is not allowed to complete the store to the memory system.
- A load transaction with no data value compare, i.e. where the *DB_no_value_compare* is true for the match, is not allowed to complete the load.

The result of this is that the load or store instruction causing the debug data break exception appears as not executed.

If both data breakpoints without and with data value compare would match the same transaction and generate a debug exception, then the rules shown in [Table 11-6](#) apply with respect to updating the *BS[n]* bits.

Table 11-6 Rules for Update of BS Bits on Data Breakpoint Exceptions

Instruction	Breakpoints that Match		Update of BS Bits for Matching Data Breakpoints	
	Without Value Compare	With Value Compare	Without Value Compare	With Value Compare
Load/Store	One or more	None	BS bits set for all	(No matching breakpoints)
Load	One or more	One or more	BS bits set for all	Unchanged BS bits since load of data value does not occur so match of the breakpoint cannot be determined
Load	None	One or more	(No matching breakpoints)	BS bits set for all
Store	One or more	One or more	BS bits set for all	BS bits set for all
Store	None	One or more	(No matching breakpoints)	BS bits set for all

Any *BS[n]* bit set prior to the match and debug exception are kept set, since *BS[n]* bits are only cleared by debug software.

The debug handler usually returns to the instruction causing the debug data break exception, whereby the instruction is re-executed. Debug software is responsible for disabling breakpoints when returning to the instruction, otherwise the debug data break exception will reoccur.

Debug Data Break Load/Store Exception as a Imprecise Debug Exception

An Debug Data Break Load/Store Imprecise exception occurs when a data breakpoint indicates an imprecise match. Imprecise matches are generated when data value compare is used. In this case, the *DEPC* register and *DBD* bit in the *Debug* register point to an instruction later in the execution flow rather than at the load/store instruction that caused the *DB_match* equation to be true.

The load/store instruction causing the Debug Data Break Load/Store Imprecise exception always updates the destination register and completes the access to the external memory system. Therefore this load/store instruction is not re-executed on return from the debug handler, because the DEPC register and DBD bit do not point to that instruction.

Several imprecise data breakpoints can be pending at a given time, if the bus system supports multiple outstanding data accesses. The breakpoints are evaluated as the accesses finalize, and a Debug Data Break Load/Store Imprecise exception is generated only for the first one matching. Both the first and succeeding matches cause corresponding BS bits and DDBLImpr/DDBSImpr to be set, but no debug exception is generated for succeeding matches because the processor is already in Debug Mode. Similarly, if a debug exception had already occurred at the time of the first match (for example, due to a precise debug exception), then all matches cause the corresponding BS bits and DDBLImpr/DDBSImpr to be set, but no debug exception is generated because the processor is already in Debug Mode.

The SYNC instruction, followed by appropriate spacing must be executed before the BS bits and DDBLImpr/DDBSImpr bits are accessed for read or write. This delay ensures that these bits are fully updated.

Any BS bit set prior to the match and debug exception are kept set, because only debug software can clear the BS bits.

11.2.7 Breakpoint used as TriggerPoint

Both instruction and data hardware breakpoints can be setup by software so a matching breakpoint does not generate a debug exception, but only an indication through the BS[n] bit. The TE bit in the *IBCn* or *DBCn* register controls if an instruction or data breakpoint is used as a so-called triggerpoint. The triggerpoints are, like breakpoints, only compared for instructions executed in non-debug mode.

The BS[n] bit in the *IBS* or *DBS* register is set when the respective IB_match or DB_match bit is true.

The triggerpoint feature can be used to start and stop tracing. See [Section 11.10, "Enabling MIPS Trace"](#) for details.

11.2.8 Instruction Breakpoint Registers

The registers for instruction breakpoints are described below. These registers have implementation information and are used to set up the instruction breakpoints. All registers are in drseg, and the addresses are shown in [Table 11-7](#).

Table 11-7 Addresses for Instruction Breakpoint Registers

Offset in drseg	Register Mnemonic	Register Name and Description
0x1000	<i>IBS</i>	Instruction Breakpoint Status
0x1100 + n * 0x100	<i>IBAn</i>	Instruction Breakpoint Address n
0x1108 + n * 0x100	<i>IBMn</i>	Instruction Breakpoint Address Mask n
0x1110 + n * 0x100	<i>IBASIDn</i>	Instruction Breakpoint ASID n
0x1118 + n * 0x100	<i>IBCn</i>	Instruction Breakpoint Control n
Note: n is breakpoint number in range 0 to 3		

An example of some of the registers; *IBA0* is at offset 0x1100 and *IBC2* is at offset 0x1318.

11.2.8.1 Instruction Breakpoint Status (IBS) Register

Compliance Level: Implemented only if instruction breakpoints are implemented.

The Instruction Breakpoint Status (IBS) register holds implementation and status information about the instruction breakpoints.

The ASID applies to all the instruction breakpoints.

IBS Register Format

31	30	29	28	27	24	23	4	3	0
Res	ASID sup	Res	BCN				Res		BS

Table 11-8 IBS Register Field Descriptions

Fields		Description	Read/ Write	Reset State
Name	Bit(s)			
Res	31	Must be written as zero; returns zero on read.	R	0
ASIDsup	30	Indicates that ASID compare is supported in instruction breakpoints. 0: No ASID compare. 1: ASID compare (IBASIDn register implemented). 1: Supported 0: Not supported	R	Fixed MMU - 0 TLB - 1
Res	29:28	Must be written as zero; returns zero on read.	R	0
BCN	27:24	Number of instruction breakpoints implemented.	R	4
Res	23:4	Must be written as zero; returns zero on read.	R	0
BS	3:0	Break status for breakpoint n is at BS[n], with n from 0 to 3. The bit is set to 1 when the condition for the corresponding breakpoint has matched.	R/W	Undefined

11.2.8.2 Instruction Breakpoint Address n (*IBAn*) Register

Compliance Level: Implemented only for implemented instruction breakpoints.

The Instruction Breakpoint Address n (*IBAn*) register has the address used in the condition for instruction breakpoint n

IBAn Register Format

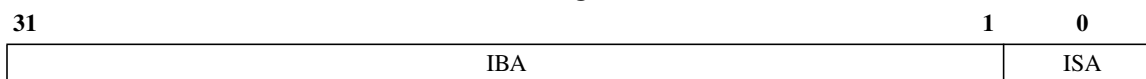


Table 11-9 *IBAn* Register Field Descriptions

Fields		Description	Read/ Write	Reset State
Name	Bit(s)			
IBA	31:1	Instruction breakpoint address for condition.	R/W	Undefined
ISA	0	Instruction breakpoint ISA mode for condition	R/W	Undefined

11.2.8.3 Instruction Breakpoint Address Mask n (*IBMn*) Register

Compliance Level: Implemented only for implemented instruction breakpoints.

The Instruction Breakpoint Address Mask n (*IBMn*) register has the mask for the address compare used in the condition for instruction breakpoint n.

IBMn Register Format

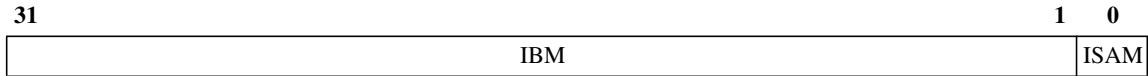


Table 11-10 *IBMn* Register Field Descriptions

Fields		Description	Read/ Write	Reset State
Name	Bit(s)			
IBM	31:1	Instruction breakpoint address mask for condition: 0: Corresponding address bit not masked. 1: Corresponding address bit masked.	R/W	Undefined
ISAM	0	Instruction breakpoint ISA mode mask for condition: 0: ISA mode considered for match condition 1: ISA mode masked	R/W	Undefined

11.2.8.4 Instruction Breakpoint ASID n (*IBASIDn*) Register

Compliance Level: Implemented only for implemented instruction breakpoints.

For processors with a TLB based MMU, this register is used to define an ASID value to be used in the match expression. For cores with a FM MMU, this register is reserved and reads as 0.

IBASIDn Register Format

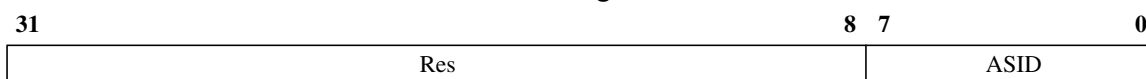


Table 11-11 *IBASIDn* Register Field Descriptions

Fields		Description	Read/ Write	Reset State
Name	Bit(s)			
Res	31:8	Must be written as zero; returns zero on read.	R	0
ASID	7:0	Instruction breakpoint ASID value for a compare.	R/W	Undefined

11.2.8.5 Instruction Breakpoint Control n (*IBCn*) Register

Compliance Level: Implemented only for implemented instruction breakpoints.

The Instruction Breakpoint Control n (*IBCn*) register controls the setup of instruction breakpoint n.

IBCn Register Format

31	24	23	22	3	2	1	0
Res	ASID use	Res			TE	Res	BE

Table 11-12 *IBCn* Register Field Descriptions

Fields		Description	Read/Write	Reset State
Name	Bits			
Res	31:24	Must be written as zero; returns zero on read.	R	0
ASIDuse	23	Use ASID value in compare for instruction breakpoint n: 0: Don't use ASID value in compare 1: Use ASID value in compare	R/W	Undefined
Res	22:3	Must be written as zero; returns zero on read.	R	0
TE	2	Use instruction breakpoint n as triggerpoint: 0: Don't use it as triggerpoint 1: Use it as triggerpoint	R/W	0
Res	1	Must be written as zero; returns zero on read.	R	0
BE	0	Use instruction breakpoint n as breakpoint: 0: Don't use it as breakpoint 1: Use it as breakpoint	R/W	0

11.2.9 Data Breakpoint Registers

The registers for data breakpoints are described below. These registers have implementation information and are used to setup the data breakpoints. All registers are in *drseg*, and the addresses are shown in [Table 11-13](#).

Table 11-13 Addresses for Data Breakpoint Registers

Offset in <i>drseg</i>	Register Mnemonic	Register Name and Description
0x2000	<i>DBS</i>	Data Breakpoint Status
0x2100 + 0x100 * n	<i>DBAn</i>	Data Breakpoint Address n
0x2108 + 0x100 * n	<i>DBMn</i>	Data Breakpoint Address Mask n
0x2110 + 0x100 * n	<i>DBASIDn</i>	Data Breakpoint ASID n
0x2118 + 0x100 * n	<i>DBCn</i>	Data Breakpoint Control n
0x2120 + 0x100 * n	<i>DBVn</i>	Data Breakpoint Value n
0x2124 + 0x100*n	<i>DBVHn</i>	Data Breakpoint Value High n
Note: n is breakpoint number as 0 or 1		

An example of some of the registers; *DBM0* is at offset 0x2108 and *DBV1* is at offset 0x2220.

11.2.9.1 Data Breakpoint Status (DBS) Register

Compliance Level: Implemented if data breakpoints are implemented.

The Data Breakpoint Status (DBS) register holds implementation and status information about the data breakpoints.

The ASIDsup field indicates whether ASID compares are supported.

DBS Register Format

31	30	29	28	27	24	23	2	1	0
Res	ASID sup	Res	BCN				Res		BS

Table 11-14 DBS Register Field Descriptions

Fields		Description	Read/ Write	Reset State
Name	Bit(s)			
Res	31	Must be written as zero; returns zero on read.	R	0
ASID	30	Indicates that ASID compares are supported in data breakpoints. 0: Not supported 1: Supported	R	TLB MMU - 1 FM MMU - 0
Res	29:28	Must be written as zero; returns zero on read.	R	0
BCN	27:24	Number of data breakpoints implemented.	R	2
Res	23:2	Must be written as zero; returns zero on read.	R	0
BS	1:0	Break status for breakpoint n is at BS[n], with n from 0 to 1. The bit is set to 1 when the condition for the corresponding breakpoint has matched.	R/W0	Undefined

11.2.9.2 Data Breakpoint Address n (*DBAn*) Register

Compliance Level: Implemented only for implemented data breakpoints.

The Data Breakpoint Address n (*DBAn*) register has the address used in the condition for data breakpoint n.

DBAn Register Format

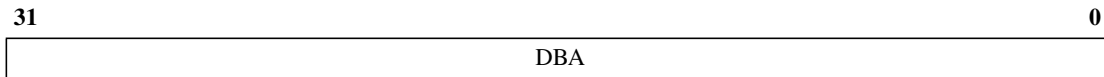


Table 11-15 *DBAn* Register Field Descriptions

Fields		Description	Read/ Write	Reset State
Name	Bit(s)			
DBA	31:0	Data breakpoint address for condition.	R/W	Undefined

11.2.9.3 Data Breakpoint Address Mask n (*DBMn*) Register

Compliance Level: Implemented only for implemented data breakpoints.

The Data Breakpoint Address Mask n (*DBMn*) register has the mask for the address compare used in the condition for data breakpoint n.

DBMn Register Format

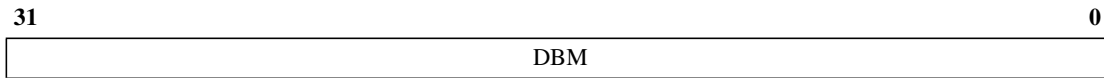


Table 11-16 *DBMn* Register Field Descriptions

Fields		Description	Read/ Write	Reset State
Name	Bit(s)			
DBM	31:0	Data breakpoint address mask for condition: 0: Corresponding address bit not masked 1: Corresponding address bit masked	R/W	Undefined

11.2.9.4 Data Breakpoint ASID n (*DBASIDn*) Register

Compliance Level: Implemented only for implemented data breakpoints.

For processors with a TLB based MMU, this register is used to define an ASID value to be used in the match expression. For cores with the FM MMU, this register is reserved and reads as 0.

DBASIDn Register Format

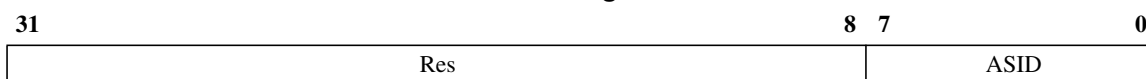


Table 11-17 *DBASIDn* Register Field Descriptions

Fields		Description	Read/ Write	Reset State
Name	Bit(s)			
Res	31:8	Must be written as zero; returns zero on read.	R	0
ASID	7:0	Data breakpoint ASID value for compares.	R/W	Undefined

11.2.9.5 Data Breakpoint Control n (DBCn) Register

Compliance Level: Implemented only for implemented data breakpoints.

The Data Breakpoint Control n (DBCn) register controls the setup of data breakpoint n.

DBCn Register Format

31	24	23	22	21	14	13	12	11	4	3	2	1	0	
Re	ASID use	RES	BAI			NoSB	NoLB	BLM			Res	TE	Res	BE

Table 11-18 DBCn Register Field Descriptions

Fields		Description	Read/Write	Reset State
Name	Bits			
Res	31:24	Must be written as zero; returns zero on reads.	R	0
ASIDuse	23	Use ASID value in compare for data breakpoint n: 0: Don't use ASID value in compare 1: Use ASID value in compare	R/W	Undefined
Res	22	Must be written as zero; returns zero on reads	R	0
BAI	21:14	Byte access ignore controls ignore of access to a specific byte. BAI[0] ignores access to byte at bits [7:0] of the data bus, BAI[1] ignores access to byte at bits [15:8], etc. 0: Condition depends on access to corresponding byte 1: Access for corresponding byte is ignored	R/W	Undefined
NoSB	13	Controls if condition for data breakpoint is not fulfilled on a store transaction: 0: Condition may be fulfilled on store transaction 1: Condition is never fulfilled on store transaction	R/W	Undefined
NoLB	12	Controls if condition for data breakpoint is not fulfilled on a load transaction: 0: Condition may be fulfilled on load transaction 1: Condition is never fulfilled on load transaction	R/W	Undefined
BLM	11:4	Byte lane mask for value compare on data breakpoint. BLM[0] masks byte at bits [7:0] of the data bus, BLM[1] masks byte at bits [15:8], etc.: 0: Compare corresponding byte lane 1: Mask corresponding byte lane	R/W	Undefined
Res	3	Must be written as zero; returns zero on reads.	R	0
TE	2	Use data breakpoint n as triggerpoint: 0: Don't use it as triggerpoint 1: Use it as triggerpoint	R/W	0

Table 11-18 *DBCn* Register Field Descriptions (Continued)

Fields		Description	Read/Write	Reset State
Name	Bits			
Res	1	Must be written as zero; returns zero on reads.	R	0
BE	0	Use data breakpoint n as breakpoint: 0: Don't use it as breakpoint 1: Use it as breakpoint	R/W	0

11.2.9.6 Data Breakpoint Value n (*DBVn*) Register

Compliance Level: Implemented only for implemented data breakpoints.

The Data Breakpoint Value n (*DBVn*) register has the value used in the condition for data breakpoint n.

DBVn Register Format

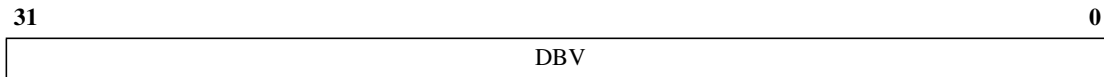


Table 11-19 *DBVn* Register Field Descriptions

Fields		Description	Read/ Write	Reset State
Name	Bit(s)			
DBV	31:0	Data breakpoint value for condition.	R/W	Undefined

11.2.9.7 Data Breakpoint Value High n (*DBVHn*) Register

Compliance Level: Implemented only for implemented data breakpoints.

The Data Breakpoint Value High n (*DBVHn*) register has the value used in the condition for data breakpoint n.

DBVHn Register Format

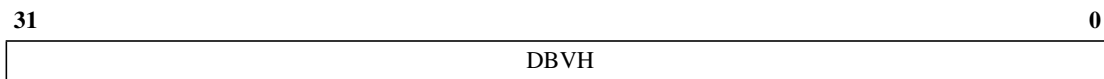


Table 11-20 *DBVHn* Register Field Descriptions

Fields		Description	Read/ Write	Reset State
Name	Bit(s)			
DBVH	31:0	Data breakpoint value high for condition. This register provides the high order bits [63:32] for data value on double-word floating point loads and stores.	R/W	Undefined

11.3 Test Access Port (TAP)

The following main features are supported by the TAP module:

- 5-pin industry standard JTAG Test Access Port (*TCK*, *TMS*, *TDI*, *TDO*, *TRST_N*) interface which is compatible with IEEE Std. 1149.1.
- Target chip and EJTAG feature identification available through the Test Access Port (TAP) controller.
- The processor can access external memory on the EJTAG Probe serially through the EJTAG pins. This is achieved through Processor Access (PA), and is used to eliminate the use of the system memory for debug routines.
- Support for both ROM based debugger and debugging both through TAP.

11.3.1 EJTAG Internal and External Interfaces

The external interface of the EJTAG module consists of the 5 signals defined by the IEEE standard.

Table 11-21 EJTAG Interface Pins

Pin	Type	Description
<i>TCK</i>	I	<p>Test Clock Input</p> <p>Input clock used to shift data into or out of the Instruction or data registers. The <i>TCK</i> clock is independent of the processor clock, so the EJTAG probe can drive <i>TCK</i> independently of the processor clock frequency.</p> <p>The core signal for this is called <i>EJ_TCK</i></p>
<i>TMS</i>	I	<p>Test Mode Select Input</p> <p>The <i>TMS</i> input signal is decoded by the TAP controller to control test operation. <i>TMS</i> is sampled on the rising edge of <i>TCK</i>.</p> <p>The core signal for this is called <i>EJ_TMS</i></p>
<i>TDI</i>	I	<p>Test Data Input</p> <p>Serial input data (<i>TDI</i>) is shifted into the Instruction register or data registers on the rising edge of the <i>TCK</i> clock, depending on the TAP controller state.</p> <p>The core signal for this is called <i>EJ_TDI</i></p>
<i>TDO</i>	O	<p>Test Data Output</p> <p>Serial output data is shifted from the Instruction or data register to the <i>TDO</i> pin on the falling edge of the <i>TCK</i> clock. When no data is shifted out, the <i>TDO</i> is 3-stated.</p> <p>The core signal for this is called <i>EJ_TDO</i> with output enable controlled by <i>EJ_TDO_{zstate}</i>.</p>

Table 11-21 EJTAG Interface Pins (Continued)

Pin	Type	Description
<i>TRST_N</i>	I	<p>Test Reset Input (Optional pin)</p> <p>The <i>TRST_N</i> pin is an active-low signal for asynchronous reset of the TAP controller and instruction in the TAP module, independent of the processor logic. The processor is not reset by the assertion of <i>TRST_N</i>.</p> <p>The core signal for this is called <i>EJ_TRST_N</i></p> <p>This signal is optional, but power-on reset must apply a low pulse on this signal at power-on and then leave it high, in case the signal is not available as a pin on the chip. If available on the chip, then it must be low on the board when the EJTAG debug features are unused by the probe.</p>

11.3.2 Test Access Port Operation

The TAP controller is controlled by the Test Clock (*TCK*) and Test Mode Select (*TMS*) inputs. These two inputs determine whether an the Instruction register scan or data register scan is performed. The TAP consists of a small controller, driven by the *TCK* input, which responds to the *TMS* input as shown in the state diagram in [Figure 11-1 on page 249](#). The TAP uses both clock edges of *TCK*. *TMS* and *TDI* are sampled on the rising edge of *TCK*, while *TDO* changes on the falling edge of *TCK*.

At power-up the TAP is forced into the *Test-Logic-Reset* by low value on *TRST_N*. The TAP instruction register is thereby reset to *IDCODE*. No other parts of the EJTAG hardware are reset through the *Test-Logic-Reset* state.

When test access is required, a protocol is applied via the *TMS* and *TCK* inputs, causing the TAP to exit the *Test-Logic-Reset* state and move through the appropriate states. From the *Run-Test/Idle* state, an Instruction register scan or a data register scan can be issued to transition the TAP through the appropriate states shown in [Figure 11-1 on page 249](#).

The states of the data and instruction register scan blocks are mirror images of each other adding symmetry to the protocol sequences. The first action that occurs when either block is entered is a capture operation. For the data registers, the *Capture-DR* state is used to capture (or parallel load) the data into the selected serial data path. In the Instruction register, the *Capture-IR* state is used to capture status information into the Instruction register.

From the *Capture* states, the TAP transitions to either the *Shift* or *Exit1* states. Normally the *Shift* state follows the *Capture* state so that test data or status information can be shifted out for inspection and new data shifted in. Following the *Shift* state, the TAP either returns to the *Run-Test/Idle* state via the *Exit1* and *Update* states or enters the *Pause* state via *Exit1*. The reason for entering the *Pause* state is to temporarily suspend the shifting of data through either the Data or Instruction Register while a required operation, such as refilling a host memory buffer, is performed. From the *Pause* state shifting can resume by re-entering the *Shift* state via the *Exit2* state or terminate by entering the *Run-Test/Idle* state via the *Exit2* and *Update* states.

Upon entering the data or Instruction register scan blocks, shadow latches in the selected scan path are forced to hold their present state during the Capture and Shift operations. The data being shifted into the selected scan path is not output through the shadow latch until the TAP enters the *Update-DR* or *Update-IR* state. The *Update* state causes the shadow latches to update (or parallel load) with the new data that has been shifted into the selected scan path.

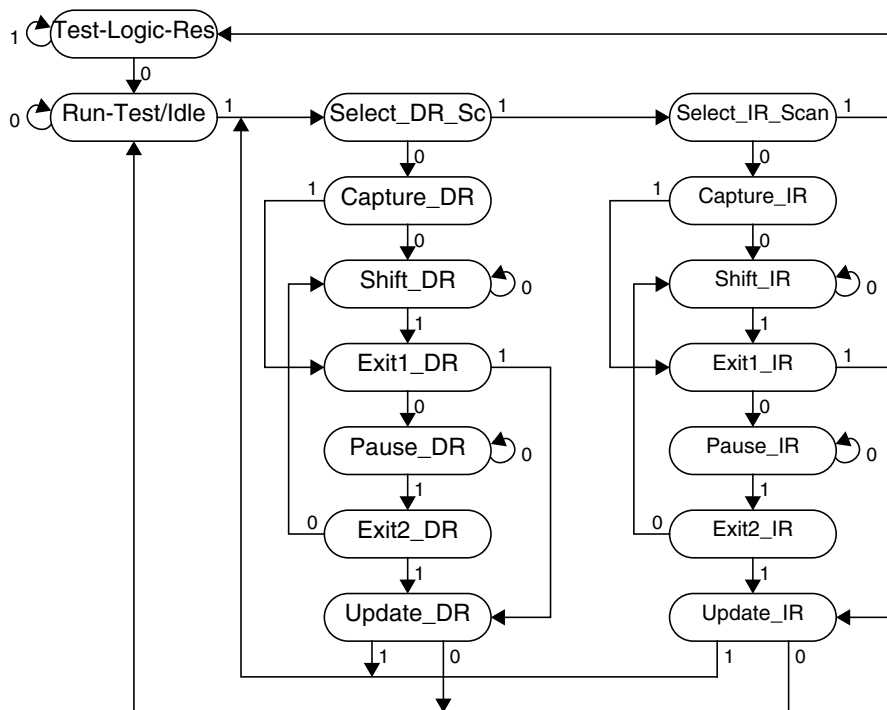


Figure 11-1 TAP Controller State Diagram

11.3.2.1 Test-Logic-Reset State

In the *Test-Logic-Reset* state the boundary scan test logic is disabled. The test logic enters the *Test-Logic-Reset* state when the *TMS* input is held HIGH for at least five rising edges of *TCK*. The BYPASS instruction is forced into the instruction register output latches during this state. The controller remains in the *Test-Logic-Reset* state as long as *TMS* is HIGH.

11.3.2.2 Run-Test/Idle State

The controller enters the *Run-Test/Idle* state between scan operations. The controller remains in this state as long as *TMS* is held LOW. The instruction register and all test data registers retain their previous state. The instruction cannot change when the TAP controller is in this state.

When *TMS* is sampled HIGH on the rising edge of *TCK*, the controller transitions to the *Select_DR* state.

11.3.2.3 Select_DR_Scan State

This is a temporary controller state in which all test data registers selected by the current instruction retain their previous state. If *TMS* is sampled LOW at the rising edge of *TCK*, then the controller transitions to the *Capture_DR* state. A HIGH on *TMS* causes the controller to transition to the *Select_IR* state. The instruction cannot change while the TAP controller is in this state.

11.3.2.4 Select_IR_Scan State

This is a temporary controller state in which all test data registers selected by the current instruction retain their previous state. If *TMS* is sampled LOW on the rising edge of *TCK*, the controller transitions to the *Capture_IR* state. A HIGH on *TMS* causes the controller to transition to the *Test-Reset-Logic* state. The instruction cannot change while the TAP controller is in this state.

11.3.2.5 Capture_DR State

In this state the boundary scan register captures the value of the register addressed by the Instruction register, and the value is then shifted out in the *Shift_DR*. If *TMS* is sampled LOW at the rising edge of *TCK*, the controller transitions to the *Shift_DR* state. A HIGH on *TMS* causes the controller to transition to the *Exit1_DR* state. The instruction cannot change while the TAP controller is in this state.

11.3.2.6 Shift_DR State

In this state the test data register connected between *TDI* and *TDO* as a result of the current instruction shifts data one stage toward its serial output on the rising edge of *TCK*. If *TMS* is sampled LOW on the rising edge of *TCK*, the controller remains in the *Shift_DR* state. A HIGH on *TMS* causes the controller to transition to the *Exit1_DR* state. The instruction cannot change while the TAP controller is in this state.

11.3.2.7 Exit1_DR State

This is a temporary controller state in which all test data registers selected by the current instruction retain their previous state. If *TMS* is sampled LOW at the rising edge of *TCK*, the controller transitions to the *Pause_DR* state. A HIGH on *TMS* causes the controller to transition to the *Update_DR* state which terminates the scanning process. The instruction cannot change while the TAP controller is in this state.

11.3.2.8 Pause_DR State

The *Pause_DR* state allows the controller to temporarily halt the shifting of data through the test data register in the serial path between *TDI* and *TDO*. All test data registers selected by the current instruction retain their previous state. If *TMS* is sampled LOW on the rising edge of *TCK*, the controller remains in the *Pause_DR* state. A HIGH on *TMS* causes the controller to transition to the *Exit2_DR* state. The instruction cannot change while the TAP controller is in this state.

11.3.2.9 Exit2_DR State

This is a temporary controller state in which all test data registers selected by the current instruction retain their previous state. If *TMS* is sampled LOW at the rising edge of *TCK*, the controller transitions to the *Shift_DR* state to allow another serial shift of data. A HIGH on *TMS* causes the controller to transition to the *Update_DR* state which terminates the scanning process. The instruction cannot change while the TAP controller is in this state.

11.3.2.10 Update_DR State

When the TAP controller is in this state the value shifted in during the *Shift_DR* state takes effect on the rising edge of the *TCK* for the register indicated by the Instruction register.

If *TMS* is sampled LOW at the rising edge of *TCK*, the controller transitions to the *Run-Test/Idle* state. A HIGH on *TMS* causes the controller to transition to the *Select_DR_Scan* state. The instruction cannot change while the TAP controller is in this state and all shift register stages in the test data registers selected by the current instruction retain their previous state.

11.3.2.11 Capture_IR State

In this state the shift register contained in the Instruction register loads a fixed pattern (00001₂) on the rising edge of *TCK*. The data registers selected by the current instruction retain their previous state.

If *TMS* is sampled LOW at the rising edge of *TCK*, the controller transitions to the *Shift_IR* state. A HIGH on *TMS* causes the controller to transition to the *Exit1_IR* state. The instruction cannot change while the TAP controller is in this state.

11.3.2.12 Shift_IR State

In this state the instruction register is connected between *TDI* and *TDO* and shifts data one stage toward its serial output on the rising edge of *TCK*. If *TMS* is sampled LOW at the rising edge of *TCK*, the controller remains in the *Shift_IR* state. A HIGH on *TMS* causes the controller to transition to the *Exit1_IR* state.

11.3.2.13 Exit1_IR State

This is a temporary controller state in which all registers retain their previous state. If *TMS* is sampled LOW at the rising edge of *TCK*, the controller transitions to the *Pause_IR* state. A HIGH on *TMS* causes the controller to transition to the *Update_IR* state which terminates the scanning process. The instruction cannot change while the TAP controller is in this state and the instruction register retains its previous state.

11.3.2.14 Pause_IR State

The *Pause_IR* state allows the controller to temporarily halt the shifting of data through the instruction register in the serial path between *TDI* and *TDO*. If *TMS* is sampled LOW at the rising edge of *TCK*, the controller remains in the *Pause_IR* state. A HIGH on *TMS* causes the controller to transition to the *Exit2_IR* state. The instruction cannot change while the TAP controller is in this state.

11.3.2.15 Exit2_IR State

This is a temporary controller state in which the instruction register retains its previous state. If *TMS* is sampled LOW at the rising edge of *TCK*, then the controller transitions to the *Shift_IR* state to allow another serial shift of data. A HIGH on *TMS* causes the controller to transition to the *Update_IR* state which terminates the scanning process. The instruction cannot change while the TAP controller is in this state.

11.3.2.16 Update_IR State

The instruction shifted into the instruction register takes effect on the rising edge of *TCK*.

If *TMS* is sampled LOW at the rising edge of *TCK*, the controller transitions to the *Run-Test/Idle* state. A HIGH on *TMS* causes the controller to transition to the *Select_DR_Scan* state.

11.3.3 Test Access Port (TAP) Instructions

The TAP Instruction register allows instructions to be serially input into the device when TAP controller is in the *Shift-IR* state. Instructions are decoded and define the serial test data register path that is used to shift data between *TDI* and *TDO* during data register scanning.

The Instruction register is a 5-bit register. In the current EJTAG implementation only some instructions have been decoded; the unused instructions default to the BYPASS instruction.

Table 11-22 Implemented EJTAG Instructions

Value	Instruction	Function
0x01	IDCODE	Select Chip Identification data register
0x03	IMPCODE	Select Implementation register
0x08	ADDRESS	Select Address register
0x09	DATA	Select Data register

Table 11-22 Implemented EJTAG Instructions (Continued)

Value	Instruction	Function
0x0A	CONTROL	Select EJTAG Control register
0x0B	ALL	Select the Address, Data and EJTAG Control registers
0x0C	EJTAGBOOT	Set EhtagBrk, ProbEn and ProbTrap to 1 as reset value
0x0D	NORMALBOOT	Set EhtagBrk, ProbEn and ProbTrap to 0 as reset value
0x0E	FASTDATA	Selects the Data and Fastdata registers
0x10	TCBCONTROLA	Selects the <i>TCBCONTROLA</i> register in the Trace Control Block
0x11	TCBCONTROLB	Selects the <i>TCBCONTROLB</i> register in the Trace Control Block
0x12	TCBDATA	Selects the <i>TCBDATA</i> register in the Trace Control Block
0x13	TCBCONTROLC	Selects the <i>TCBCONTROLC</i> register in the Trace Control Block
0x14	PCSAMPLE	Selects the <i>PCSAMPLE</i> register
0x1F	BYPASS	Bypass mode

11.3.3.1 BYPASS Instruction

The required BYPASS instruction allows the processor to remain in a functional mode and selects the Bypass register to be connected between *TDI* and *TDO*. The BYPASS instruction allows serial data to be transferred through the processor from *TDI* to *TDO* without affecting its operation. The bit code of this instruction is defined to be all ones by the IEEE 1149.1 standard. Any unused instruction is defaulted to the BYPASS instruction.

11.3.3.2 IDCODE Instruction

The IDCODE instruction allows the processor to remain in its functional mode and selects the Device Identification (ID) register to be connected between *TDI* and *TDO*. The Device ID register is a 32-bit shift register containing information regarding the IC manufacturer, device type, and version code. Accessing the Identification Register does not interfere with the operation of the processor. Also, access to the Identification Register is immediately available, via a TAP data scan operation, after power-up when the TAP has been reset with on-chip power-on or through the optional *TRST_N* pin.

11.3.3.3 IMPCODE Instruction

This instruction selects the Implementation register for output, which is always 32 bits.

11.3.3.4 ADDRESS Instruction

This instruction is used to select the Address register to be connected between *TDI* and *TDO*. The EJTAG Probe shifts 32 bits through the *TDI* pin into the Address register and shifts out the captured address via the *TDO* pin.

11.3.3.5 DATA Instruction

This instruction is used to select the Data register to be connected between *TDI* and *TDO*. The EJTAG Probe shifts 32 bits of *TDI* data into the Data register and shifts out the captured data via the *TDO* pin.

11.3.3.6 CONTROL Instruction

This instruction is used to select the EJTAG Control register to be connected between *TDI* and *TDO*. The EJTAG Probe shifts 32 bits of *TDI* data into the EJTAG Control register and shifts out the EJTAG Control register bits via *TDO*.

11.3.3.7 ALL Instruction

This instruction is used to select the concatenation of the Address and Data register, and the EJTAG Control register between *TDI* and *TDO*. It can be used in particular if switching instructions in the instruction register takes too many *TCK* cycles. The first bit shifted out is bit 0.

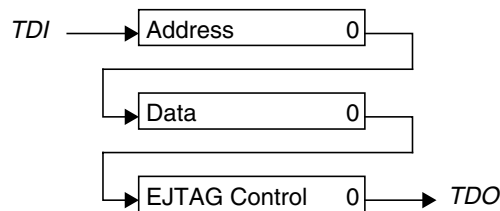


Figure 11-2 Concatenation of the EJTAG Address, Data and Control Registers

11.3.3.8 EJTAGBOOT Instruction

When the EJTAGBOOT instruction is given and the Update-IR state is left, then the reset values of the ProbTrap, ProbEn and EjtagBrk bits in the EJTAG Control register are set to 1 after a reset.

This EJTAGBOOT indication is effective until a NORMALBOOT instruction is given, *TRST_N* is asserted or a rising edge of *TCK* occurs when the TAP controller is in Test-Logic-Reset state.

It is possible to make the CPU go into debug mode just after a reset, without fetching or executing any instructions from the normal memory area. This can be used for download of code to a system which has no code in ROM.

The Bypass register is selected when the EJTAGBOOT instruction is given.

11.3.3.9 NORMALBOOT Instruction

When the NORMALBOOT instruction is given and the Update-IR state is left, then the reset value of the ProbTrap, ProbEn and EjtagBrk bits in the EJTAG Control register are set to 0 after reset.

The Bypass register is selected when the NORMALBOOT instruction is given.

11.3.3.10 FASTDATA Instruction

This selects the Data and the Fastdata registers at once, as shown in [Figure 11-3](#).

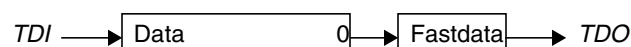


Figure 11-3 TDI to TDO Path when in Shift-DR State and FASTDATA Instruction is Selected

11.3.3.11 TCBCONTROLA Instruction

This instruction is used to select the TCBCONTROLA register to be connected between *TDI* and *TDO*. This register is only implemented if the Trace Control Block is present. If no TCB is present, then this instruction will select the Bypass register.

11.3.3.12 TCBCONTROLB Instruction

This instruction is used to select the TCBCONTROLB register to be connected between *TDI* and *TDO*. This register is only implemented if the Trace Control Block is present. If no TCB is present, then this instruction will select the Bypass register.

11.3.3.13 TCBCONTROLC Instruction

This instruction is used to select the TCBCONTROLC register to be connected between *TDI* and *TDO*. This register is only implemented if the Trace Control Block is present. If no TCB is present, then this instruction will select the Bypass register.

11.3.3.14 TCBDATA Instruction

This instruction is used to select the TCBDATA register to be connected between *TDI* and *TDO*. This register is only implemented if the Trace Control Block is present. If no TCB is present, then this instruction will select the Bypass register. It should be noted that the TCBDATA register is only an access register to other TCB registers. The width of the TCBDATA register is dependent on the specific TCB register.

11.3.3.15 PCSAMPLE Instruction

This instruction is used to select the PCSAMPLE register to be connected between *TDI* and *TDO*. This register is always implemented.

11.4 EJTAG TAP Registers

The EJTAG TAP Module has one Instruction register and a number of data registers, all accessible through the TAP:

11.4.1 Instruction Register

The Instruction register is accessed when the TAP receives an Instruction register scan protocol. During an Instruction register scan operation the TAP controller selects the output of the Instruction register to drive the *TDO* pin. The shift register consists of a series of bits arranged to form a single scan path between *TDI* and *TDO*. During an Instruction register scan operations, the TAP controls the register to capture status information and shift data from *TDI* to *TDO*. Both the capture and shift operations occur on the rising edge of *TCK*. However, the data shifted out from the *TDO* occurs on the falling edge of *TCK*. In the Test-Logic-Reset and *Capture-IR* state, the instruction shift register is set to 00001₂, as for the IDCODE instruction. This forces the device into the functional mode and selects the Device ID register. The Instruction register is 5 bits wide. The instruction shifted in takes effect for the following data register scan operation. A list of the implemented instructions are listed in [Table 11-22](#).

11.4.2 Data Registers Overview

The EJTAG uses several data registers, which are arranged in parallel from the primary *TDI* input to the primary *TDO* output. The Instruction register supplies the address that allows one of the data registers to be accessed during a data

register scan operation. During a data register scan operation, the addressed scan register receives TAP control signals to capture the register and shift data from *TDI* to *TDO*. During a data register scan operation, the TAP selects the output of the data register to drive the *TDO* pin. The register is updated in the *Update-DR* state with respect to the write bits.

This description applies in general to the following data registers:

- Bypass Register
- Device Identification Register
- Implementation Register
- EJTAG Control Register (ECR)
- Processor Access Address Register
- Processor Access Data Register
- FastData Register

11.4.2.1 Bypass Register

The *Bypass* register consists of a single scan register bit. When selected, the Bypass register provides a single bit scan path between *TDI* and *TDO*. The Bypass register allows abbreviating the scan path through devices that are not involved in the test. The Bypass register is selected when the Instruction register is loaded with a pattern of all ones to satisfy the IEEE 1149.1 Bypass instruction requirement.

11.4.2.2 Device Identification (*ID*) Register

The *Device Identification* register is defined by IEEE 1149.1, to identify the device's manufacturer, part number, revision, and other device-specific information. Table 11-23 shows the bit assignments defined for the read-only Device Identification Register, and inputs to the core determine the value of these bits. These bits can be scanned out of the *ID* register after being selected. The register is selected when the Instruction register is loaded with the *IDCODE* instruction.

Device Identification Register Format

31	28 27	12 11	1 0
Version	PartNumber	ManufID	R

Table 11-23 Device Identification Register

Fields		Description	Read/ Write	Reset State
Name	Bit(s)			
Version	31:28	Version (4 bits) This field identifies the version number of the processor derivative.	R	<i>EJ_Version[3:0]</i>
PartNumber	27:12	Part Number (16 bits) This field identifies the part number of the processor derivative.	R	<i>EJ_PartNumber[15:0]</i>
ManufID	11:1	Manufacturer Identity (11 bits) Accordingly to IEEE 1149.1-1990, the manufacturer identity code shall be a compressed form of the JEDEC Publications 106-A.	R	<i>EJ_ManufID[10:0]</i>
R	0	reserved	R	1

11.4.2.3 Implementation Register

This 32-bit read-only register is used to identify the features of the EJTAG implementation. Some of the reset values are set by inputs to the core. The register is selected when the Instruction register is loaded with the IMPCODE instruction.

Implementation Register Format

31	29	28	25	24	23	21	20	17	16	15	14	13	0
EJTAGver	reserved		DINTsup	ASIDsize	reserved		MIPS16	0	NoDMA	reserved			

Table 11-24 Implementation Register Descriptions

Fields		Description	Read/ Write	Reset State
Name	Bit(s)			
EJTAGver	31:29	EJTAG Version. 3: Version 3.1	R	3
reserved	28:25	reserved	R	0
DINTsup	24	DINT Signal Supported from Probe This bit indicates if the DINT signal from the probe is supported: 0: DINT signal from the probe is not supported 1: Probe can use DINT signal to make debug interrupt.	R	<i>EJ_DINTsup</i>
ASIDsize	23:21	Size of ASID field in implementation: 0: No ASID in implementation 2: 8-bit ASID 1,3: Reserved	R	TLB MMU- 2 FM MMU- 0
reserved	20:17	reserved	R	0
MIPS16	16	Indicates whether MIPS16 is implemented 0: No MIPS16 support 1: MIPS16 implemented	R	1
reserved	15	reserved	R	0
NoDMA	14	No EJTAG DMA Support	R	1
reserved	13:0	reserved	R	0

11.4.2.4 EJTAG Control Register

This 32-bit register controls the various operations of the TAP modules. This register is selected by shifting in the CONTROL instruction. Bits in the EJTAG Control register can be set/cleared by shifting in data; status is read by shifting out the contents of this register. This EJTAG Control register can only be accessed by the TAP interface.

The EJTAG Control register is not updated in the *Update-DR* state unless the Reset occurred (Rocc) bit 31, is either 0 or written to 0. This is in order to ensure proper handling of processor accesses.

The value used for reset indicated in the table below takes effect on CPU resets, but not on TAP controller resets by e.g. *TRST_N*. *TCK* clock is not required when the CPU reset occurs, but the bits are still updated to the reset value when the *TCK* applies. The first 5 *TCK* clocks after CPU resets may result in reset of the bits, due to synchronization between clock domains.

EJTAG Control Register Format

31	30	29	28	23	22	21	20	19	18	17	16	15	14	13	12	11	4	3	2	0
Rocc	Psz	Res	Doze	Halt	PerRst	PRnW	PrAcc	Res	PrRst	ProbEn	ProbTrap	Res	EjtagBrk	Res	DM	Res				

Table 11-25 EJTAG Control Register Descriptions

Fields		Description	Read/Write	Reset State																																	
Name	Bit(s)																																				
Rocc	31	<p>Reset Occurred</p> <p>The bit indicates if a CPU reset has occurred: 0: No reset occurred since bit last cleared. 1: Reset occurred since bit last cleared.</p> <p>The Rocc bit will keep the 1 value as long as reset is applied.</p> <p>This bit must be cleared by the probe, to acknowledge that the incident was detected.</p> <p>The EJTAG Control register is not updated in the <i>Update-DR</i> state unless Rocc is 0, or written to 0. This is in order to ensure proper handling of processor access.</p>	R/W	1																																	
Psz[1:0]	30:29	<p>Processor Access Transfer Size</p> <p>These bits are used in combination with the lower two address bits of the Address register to determine the size of a processor access transaction. The bits are only valid when processor access is pending.</p> <table border="1"> <thead> <tr> <th>PAA[1:0]</th> <th>Psz[1:0]</th> <th>Transfer Size</th> </tr> </thead> <tbody> <tr> <td>00</td> <td>00</td> <td>Byte (LE, byte 0; BE, byte 3)</td> </tr> <tr> <td>01</td> <td>00</td> <td>Byte (LE, byte 1; BE, byte 2)</td> </tr> <tr> <td>10</td> <td>00</td> <td>Byte (LE, byte 2; BE, byte 1)</td> </tr> <tr> <td>11</td> <td>00</td> <td>Byte (LE, byte 3; BE, byte 0)</td> </tr> <tr> <td>00</td> <td>01</td> <td>Halfword (LE, bytes 1:0; BE, bytes 3:2)</td> </tr> <tr> <td>10</td> <td>01</td> <td>Halfword (LE, bytes 3:2; BE, bytes 1:0)</td> </tr> <tr> <td>00</td> <td>10</td> <td>Word (LE, BE; bytes 3, 2, 1, 0)</td> </tr> <tr> <td>00</td> <td>11</td> <td>Triple (LE, bytes 2, 1, 0; BE, bytes 3, 2, 1)</td> </tr> <tr> <td>01</td> <td>11</td> <td>Triple (LE, bytes 3, 2, 1; BE, bytes 2, 1, 0)</td> </tr> <tr> <td colspan="2">All others</td> <td>Reserved</td> </tr> </tbody> </table> <p>Note: LE=little endian, BE=big endian, the byte# refers to the byte number in a 32-bit register, where byte 3 = bits 31:24; byte 2 = bits 23:16; byte 1 = bits 15:8; byte 0=bits 7:0, independently of the endianness.</p>	PAA[1:0]	Psz[1:0]	Transfer Size	00	00	Byte (LE, byte 0; BE, byte 3)	01	00	Byte (LE, byte 1; BE, byte 2)	10	00	Byte (LE, byte 2; BE, byte 1)	11	00	Byte (LE, byte 3; BE, byte 0)	00	01	Halfword (LE, bytes 1:0; BE, bytes 3:2)	10	01	Halfword (LE, bytes 3:2; BE, bytes 1:0)	00	10	Word (LE, BE; bytes 3, 2, 1, 0)	00	11	Triple (LE, bytes 2, 1, 0; BE, bytes 3, 2, 1)	01	11	Triple (LE, bytes 3, 2, 1; BE, bytes 2, 1, 0)	All others		Reserved	R	Undefined
PAA[1:0]	Psz[1:0]	Transfer Size																																			
00	00	Byte (LE, byte 0; BE, byte 3)																																			
01	00	Byte (LE, byte 1; BE, byte 2)																																			
10	00	Byte (LE, byte 2; BE, byte 1)																																			
11	00	Byte (LE, byte 3; BE, byte 0)																																			
00	01	Halfword (LE, bytes 1:0; BE, bytes 3:2)																																			
10	01	Halfword (LE, bytes 3:2; BE, bytes 1:0)																																			
00	10	Word (LE, BE; bytes 3, 2, 1, 0)																																			
00	11	Triple (LE, bytes 2, 1, 0; BE, bytes 3, 2, 1)																																			
01	11	Triple (LE, bytes 3, 2, 1; BE, bytes 2, 1, 0)																																			
All others		Reserved																																			
Res	28:23	reserved	R	0																																	
Doze	22	<p>Doze state</p> <p>The Doze bit indicates any kind of low power mode. The value is sampled in the Capture-DR state of the TAP controller: 0: CPU not in low power mode. 1: CPU is in low power mode</p> <p>Doze includes the Reduced Power (RP) and WAIT power-reduction modes.</p>	R	0																																	

Table 11-25 EJTAG Control Register Descriptions (Continued)

Fields		Description	Read/ Write	Reset State
Name	Bit(s)			
Halt	21	<p>Halt state</p> <p>The Halt bit indicates if the internal system bus clock is running or stopped. The value is sampled in the Capture-DR state of the TAP controller:</p> <p>0: Internal system clock is running 1: Internal system clock is stopped</p>	R	0
PerRst	20	<p>Peripheral Reset</p> <p>When the bit is set to 1, it is only guaranteed that the peripheral reset has occurred in the system when the read value of this bit is also 1. This is to ensure that the setting from the TCK clock domain gets effect in the CPU clock domain, and in peripherals.</p> <p>When the bit is written to 0, then the bit must also be read as 0 before it is guaranteed that the indication is cleared in the CPU clock domain also.</p> <p>This bit controls the <i>EJ_PerRst</i> signal on the core.</p>	R/W	0
PRnW	19	<p>Processor Access Read and Write</p> <p>This bit indicates if the pending processor access is for a read or write transaction, and the bit is only valid while PrAcc is set:</p> <p>0: Read transaction 1: Write transaction</p>	R	Undefined
PrAcc	18	<p>Processor Access (PA)</p> <p>Read value of this bit indicates if a Processor Access (PA) to the EJTAG memory is pending:</p> <p>0: No pending processor access 1: Pending processor access</p> <p>The probe's software must clear this bit to 0 to indicate the end of the PA. Write of 1 is ignored.</p> <p>A pending Processor Access is cleared when Rocc is set, but another PA may occur just after the reset if a debug exception occurs.</p> <p>Finishing a Processor Access is not accepted while the Rocc bit is set. This is to avoid that a Processor Access occurring after the reset is finished due to indication of a Processor Access that occurred before the reset.</p> <p>The FASTDATA access can clear this bit.</p>	R/W0	0
Res	17	reserved	R	0

Table 11-25 EJTAG Control Register Descriptions (Continued)

Fields		Description	Read/ Write	Reset State
Name	Bit(s)			
PrRst	16	<p>Processor Reset (Implementation dependent behavior)</p> <p>When the bit is set to 1, then it is only guaranteed that this setting has taken effect in the system when the read value of this bit is also 1. This is to ensure that the setting from the <i>TCK</i> clock domain gets effect in the CPU clock domain, and in peripherals.</p> <p>When the bit is written to 0, then the bit must also be read as 0 before it is guaranteed that the indication is cleared in the CPU clock domain also.</p> <p>This bit controls the <i>EJ_PrRst</i> signal. If the signal is used in the system, then it must be ensured that both the processor and all devices required for a reset are properly reset. Otherwise the system may fail or hang. The bit resets itself, since the EJTAG Control register is reset by a reset.</p>	R/W	0
ProbEn	15	<p>Probe Enable</p> <p>This bit indicates to the CPU if the EJTAG memory is handled by the probe so processor accesses are answered: 0: The probe does not handle EJTAG memory transactions 1: The probe does handle EJTAG memory transactions</p> <p>It is an error by the software controlling the probe if it sets the ProbTrap bit to 1, but resets the ProbEn to 0. The operation of the processor is UNDEFINED in this case.</p> <p>The ProbEn bit is reflected as a read-only bit in the ProbEn bit, bit 0, in the Debug Control Register (DCR).</p> <p>The read value indicates the effective value in the DCR, due to synchronization issues between <i>TCK</i> and CPU clock domains; however, it is ensured that change of the ProbEn prior to setting the EhtagBrk bit will have effect for the debug handler executed due to the debug exception.</p> <p>The reset value of the bit depends on whether the EJTAGBOOT indication is given or not: No EJTAGBOOT indication given: 0 EJTAGBOOT indication given: 1</p>	R/W	0 or 1 from EJTAGBOOT

Table 11-25 EJTAG Control Register Descriptions (Continued)

Fields		Description	Read/ Write	Reset State
Name	Bit(s)			
ProbTrap	14	<p>Probe Trap</p> <p>This bit controls the location of the debug exception vector: 0: In normal memory 0xBFC0.0480 1: In EJTAG memory at 0xFF20.0200 in dmseg</p> <p>Valid setting of the ProbTrap bit depends on the setting of the ProbEn bit, see comment under ProbEn bit.</p> <p>The ProbTrap should not be set to 1, for debug exception vector in EJTAG memory, unless the ProbEn bit is also set to 1 to indicate that the EJTAG memory may be accessed.</p> <p>The read value indicates the effective value to the CPU, due to synchronization issues between <i>TCK</i> and CPU clock domains; however, it is ensured that change of the ProbTrap bit prior to setting the EjtagBrk bit will have effect for the EjtagBrk.</p> <p>The reset value of the bit depends on whether the EJTAGBOOT indication is given or not: No EJTAGBOOT indication given: 0 EJTAGBOOT indication given: 1</p>	R/W	0 or 1 from EJTAGBOOT
Res	13	reserved	R	0
EjtagBrk	12	<p>EJTAG Break</p> <p>Setting this bit to 1 causes a debug exception to the processor, unless the CPU was in debug mode or another debug exception occurred. When the debug exception occurs, the processor core clock is restarted if the CPU was in low power mode. This bit is cleared by hardware when the debug exception is taken.</p> <p>The reset value of the bit depends on whether the EJTAGBOOT indication is given or not: No EJTAGBOOT indication given: 0 EJTAGBOOT indication given: 1</p>	R/W1	0 or 1 from EJTAGBOOT
Res	11:4	reserved	R	0
DM	3	<p>Debug Mode</p> <p>This bit indicates the debug or non-debug mode: 0: Processor is in non-debug mode 1: Processor is in debug mode</p> <p>The bit is sampled in the <i>Capture-DR</i> state of the TAP controller.</p>	R	0
Res	2:0	reserved	R	0

11.4.3 Processor Access Address Register

The Processor Access Address (*PAA*) register is used to provide the address of the processor access in the dmseg, and the register is only valid when a processor access is pending. The length of the Address register is 32 bits, and this register is selected by shifting in the ADDRESS instruction.

11.4.3.1 Processor Access Data Register

The Processor Access Data (*PAD*) register is used to provide data value to and from a processor access. The length of the Data register is 32 bits, and this register is selected by shifting in the *DATA* instruction.

The register has the written value for a processor access write due to a CPU store to the dmseg, and the output from this register is only valid when a processor access write is pending. The register is used to provide the data value for a processor access read due to a CPU load or fetch from the dmseg, and the register should only be updated with a new value when a processor access write is pending.

The *PAD* register is 32 bits wide. Data alignment is not used for this register, so the value in the *PAD* register matches data on the internal bus. The undefined bytes for a PA write are undefined, and for a *PAD* read then 0 (zero) must be shifted in for the unused bytes.

The organization of bytes in the *PAD* register depends on the endianness of the core, as shown in [Figure 11-4 on page 261](#). The endian mode for debug/kernel mode is determined by the state of the *SI_Endian* input at power-up.

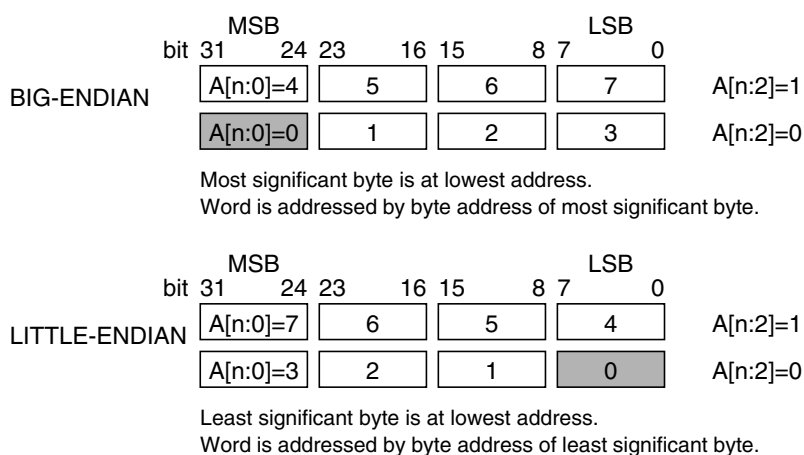


Figure 11-4 Endian Formats for the *PAD* Register

The size of the transaction and thus the number of bytes available/required for the *PAD* register is determined by the *Psz* field in the *ECR*.

11.4.4 Fastdata Register (TAP Instruction FASTDATA)

The width of the Fastdata register is 1 bit. During a Fastdata access, the Fastdata register is written and read, i.e., a bit is shifted in and a bit is shifted out. During a Fastdata access, the Fastdata register value shifted in specifies whether the Fastdata access should be completed or not. The value shifted out is a flag that indicates whether the Fastdata access was successful or not (if completion was requested).

***Fastdata* Register Format**



Table 11-26 Fastdata Register Field Description

Fields		Description	Read/ Write	Power-up State
Name	Bits			
SPrAcc	0	<p>Shifting in a zero value requests completion of the Fastdata access. The PrAcc bit in the EJTAG Control register is overwritten with zero when the access succeeds. (The access succeeds if PrAcc is one and the operation address is in the legal dmseg Fastdata area.) When successful, a one is shifted out. Shifting out a zero indicates a Fastdata access failure.</p> <p>Shifting in a one does not complete the Fastdata access and the PrAcc bit is unchanged. Shifting out a one indicates that the access would have been successful if allowed to complete and a zero indicates the access would not have successfully completed.</p>	R/W	Undefined

The FASTDATA access is used for efficient block transfers between dmseg (on the probe) and target memory (on the processor). An “upload” is defined as a sequence of processor loads from target memory and stores to dmseg. A “download” is a sequence of processor loads from dmseg and stores to target memory. The “Fastdata area” specifies the legal range of dmseg addresses (0xFF20.0000 - 0xFF20.000F) that can be used for uploads and downloads. The Data + Fastdata registers (selected with the FASTDATA instruction) allow efficient completion of pending Fastdata area accesses.

During Fastdata uploads and downloads, the processor will stall on accesses to the Fastdata area. The PrAcc (processor access pending bit) will be 1 indicating the probe is required to complete the access. Both upload and download accesses are attempted by shifting in a zero SPrAcc value (to request access completion) and shifting out SPrAcc to see if the attempt will be successful (i.e., there was an access pending and a legal Fastdata area address was used). Downloads will also shift in the data to be used to satisfy the load from dmseg’s Fastdata area, while uploads will shift out the data being stored to dmseg’s Fastdata area.

As noted above, two conditions must be true for the Fastdata access to succeed. These are:

- PrAcc must be 1, i.e., there must be a pending processor access.
- The Fastdata operation must use a valid Fastdata area address in dmseg (0xFF20.0000 to 0xFF20.000F).

Table 11-27 shows the values of the PrAcc and SPrAcc bits and the results of a Fastdata access.

Table 11-27 Operation of the FASTDATA access

Probe Operation	Address Match check	PrAcc in the Control Register	LSB (SPrAcc) shifted in	Action in the Data Register	PrAcc changes to	LSB shifted out	Data shifted out
Download using FASTDATA	Fails	x	x	none	unchanged	0	invalid
	Passes	1	1	none	unchanged	1	invalid
		1	0	write data	0 (SPrAcc)	1	valid (previous) data
		0	x	none	unchanged	0	invalid

Table 11-27 Operation of the FASTDATA access (Continued)

Probe Operation	Address Match check	PrAcc in the Control Register	LSB (SPrAcc) shifted in	Action in the Data Register	PrAcc changes to	LSB shifted out	Data shifted out
Upload using FASTDATA	Fails	x	x	none	unchanged	0	invalid
	Passes	1	1	none	unchanged	1	invalid
		1	0	read data	0 (SPrAcc)	1	valid data
		0	x	none	unchanged	0	invalid

There is no restriction on the contents of the Data register. It is expected that the transfer size is negotiated between the download/upload transfer code and the probe software. Note that the most efficient transfer size is a 32-bit word.

The Rocc bit of the Control register is not used for the FASTDATA operation.

11.5 TAP Processor Accesses

The TAP modules support handling of fetches, loads and stores from the CPU through the dmseg segment, whereby the TAP module can operate like a *slave unit* connected to the on-chip bus. The core can then execute code taken from the EJTAG Probe and it can access data (via a load or store) which is located on the EJTAG Probe. This occurs in a serial way through the EJTAG interface: the core can thus execute instructions e.g. debug monitor code, without occupying the memory.

Accessing the dmseg segment (EJTAG memory) can only occur when the processor accesses an address in the range from 0xFF20.0000 to 0xFF2F.FFFF, the ProbEn bit is set, and the processor is in debug mode (DM=1). In addition the LSNM bit in the CP0 Debug register controls transactions to/from the dmseg.

When a debug exception is taken, while the ProbTrap bit is set, the processor will start fetching instructions from address 0xFF20.0200.

A pending processor access can only finish if the probe writes 0 to PrAcc or by a reset.

11.5.1 Fetch/Load and Store from/to the EJTAG Probe through dmseg

1. The internal hardware latches the requested address into the PA Address register (in case of the Debug exception: 0xFF20.0200).
2. The internal hardware sets the following bits in the EJTAG Control register:
PrAcc = 1 (selects Processor Access operation)
PRnW = 0 (selects processor read operation)
Psz[1:0] = value depending on the transfer size
3. The EJTAG Probe selects the EJTAG Control register, shifts out this control register's data and tests the PrAcc status bit (Processor Access): when the PrAcc bit is found 1, it means that the requested address is available and can be shifted out.
4. The EJTAG Probe checks the PRnW bit to determine the required access.
5. The EJTAG Probe selects the PA Address register and shifts out the requested address.
6. The EJTAG Probe selects the PA Data register and shifts in the instruction corresponding to this address.

7. The EJTAG Probe selects the EJTAG Control register and shifts a PrAcc = 0 bit into this register to indicate to the processor that the instruction is available.
8. The instruction becomes available in the instruction register and the processor starts executing.
9. The processor increments the program counter and outputs an instruction read request for the next instruction. This starts the whole sequence again.

Using the same protocol, the processor can also execute a load instruction to access the EJTAG Probe's memory. For this to happen, the processor must execute a load instruction (e.g. a LW, LH, LB) with the target address in the appropriate range.

Almost the same protocol is used to execute a store instruction to the EJTAG Probe's memory through dmseg. The store address must be in the range: 0xFF20.0000 to 0xFF2F.FFFF, the ProbEn bit must be set and the processor has to be in debug mode (DM=1). The sequence of actions is found below:

1. The internal hardware latches the requested address into the PA Address register
2. The internal hardware latches the data to be written into the PA Data register.
3. The internal hardware sets the following bits in the EJTAG Control register:
PrAcc = 1 (selects Processor Access operation)
PRnW = 1 (selects processor write operation)
Psz[1:0] = value depending on the transfer size
4. The EJTAG Probe selects the EJTAG Control register, shifts out this control register's data and tests the PrAcc status bit (Processor Access): when the PrAcc bit is found 1, it means that the requested address is available and can be shifted out.
5. The EJTAG Probe checks the PRnW bit to determine the required access.
6. The EJTAG Probe selects the PA Address register and shifts out the requested address.
7. The EJTAG Probe selects the PA Data register and shifts out the data to be written.
8. The EJTAG Probe selects the EJTAG Control register and shifts a PrAcc = 0 bit into this register to indicate to the processor that the write access is finished.
9. The EJTAG Probe writes the data to the requested address in its memory.
10. The processor detects that PrAcc bit = 0, which means that it is ready to handle a new access.

The above examples imply that no reset occurs during the operations, and that Rocc is cleared.

11.6 PC Sampling

The PC sampling feature enables sampling of the PC value periodically. This information can be used for statistical profiling of the program akin to gprof. This information is also very useful for detecting hot-spots in the code. PC sampling cannot be turned on or off, that is, the PC value is continually sampled.

The presence or absence of the PC Sampling feature is available in the Debug Control register as bit 9 (PCS). The sampled PC values are written into a TAP register. The old value in the TAP register is overwritten by a new value even if this register has not been read out by the debug probe. The sample rate is specified in a manner similar to the PDtrace synchronization period, with three bits. These bits in the Debug Control register are 8:6 and called PCSR (PC Sample Rate). These three bits take the value 2^5 to 2^{12} similar to SyncPeriod. Note that the processor samples PC even when it is asleep, that is, in a WAIT state. This permits an analysis of the amount of time spent by a processor in WAIT state which may be used for example to revert to a low power mode during the non-execution phase of a real-time application.

The sampled values include a new data bit, the PC, the ASID of the sampled PC as well as the Thread Context id if the processor implements the MIPS MT ASE. Figure shows the format of the sampled values in the TAP register PCsample.

The new data bit is used by the probe to determine if the PCsample register data just read out is new or already been read and must be discarded.

Figure 11-5 TAP Register PCsample Format

48	41	40	33	32	1	0
TC (for MIPS MT processors only)		ASID		PC		New

The sampled PC value is the PC of the graduating instruction in the current cycle. If the processor is stalled when the PC sample counter overflows, then the sampled PC is the PC of the next graduating instruction. The processor continues to sample the PC value even when it is in Debug mode.

11.6.1 PC Sampling in Wait State

When the processor is in a WAIT state to save power for example, an external agent might want to know how long it stays in the WAIT state. But counting cycles to update the PC sample value is a waste of power. Hence, when in a WAIT state, the processor must simply switch the New bit to 1 every time it is set to 0 by the probe hardware. Hence, the external agent or probe reading the PC value will detect a WAIT instruction for as long as the processor remains in the WAIT state. When the processor leaves the WAIT state, then counting is resumed as before.

11.7 MIPS Trace

MIPS Trace enables the ability to trace program flow, load/store addresses and load/store data. Several run-time options exist for the level of information which is traced, including tracing only when in specific processor modes (e.g., UserMode or KernelMode). MIPS Trace is an optional block in the 24KE core. If MIPS Trace is not implemented, the rest of this chapter is irrelevant. If MIPS Trace is implemented, the *CPO Config₃TL* bit is set.

The pipeline specific part of MIPS Trace is architecturally specified in the *PDtrace™ Interface Specification*. The PDtrace module extracts the trace information from the processor pipeline, and presents it to a pipeline-independent module called the Trace Control Block (TCB). The TCB is specified in the *EJTAG Trace Control Block Specification*. The collective implementation of the two is called *MIPS Trace*.

When MIPS Trace is implemented, the 24KE core includes both the PDtrace and the Trace Control Block (TCB) modules. The two modules “talk” to each other on the generic pin-interface called the PDtrace™ Interface. This interface is embedded inside the 24KE core, and will not be discussed in detail here (read the *PDtrace™ Interface Specification* for a detailed description). While working closely together, the two parts of MIPS Trace are controlled separately by software. [Figure 11-6](#) shows an overview of the MIPS Trace modules within the core.

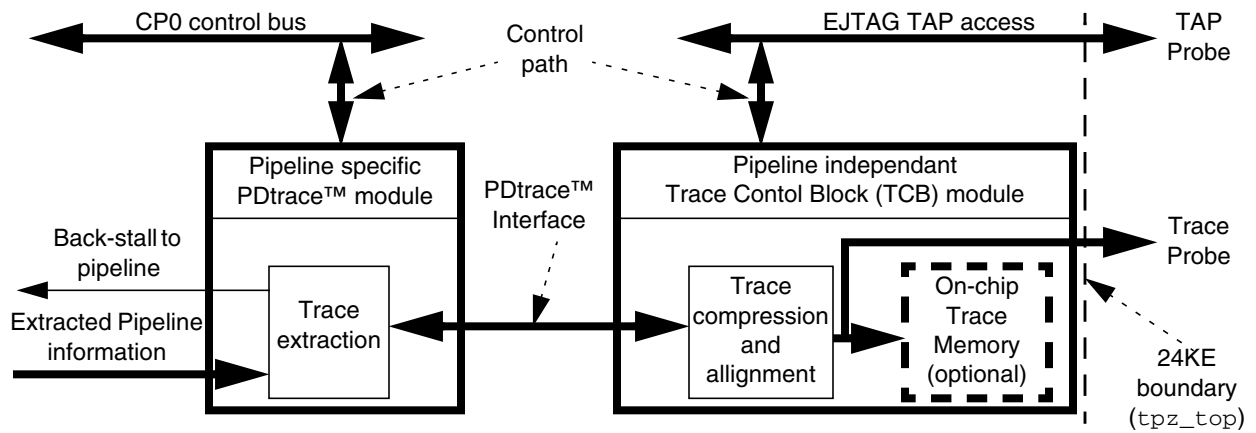


Figure 11-6 MIPS Trace modules in the 24KE™ core

To some extent, the two modules both provide similar trace control features, but the access to these features is quite different. The PDtrace controls can only be reached through access to CP0 registers. The TCB controls can only be reached through EJTAG TAP access. The TCB can then control what is traced through the PDtrace™ Interface.

Before describing the MIPS Trace implemented in the 24KE core, some common terminology and basic features are explained. The remaining sections of this chapter will then provide a more thorough explanation.

11.7.1 Processor Modes

Tracing can be enabled or disabled based on various processor modes. This section precisely describes these modes. The terminology is then used elsewhere in the document.

```

DebugMode ← (DebugDM = 1)
ExceptionMode ← (not DebugMode) and ((StatusEXL = 1) or (StatusERL = 1))
KernelMode ← (not (DebugMode or ExceptionMode)) and (StatusKSU = 2#00)
SupervisorMode ← (not (DebugMode or ExceptionMode)) and (StatusKSU = 2#01)
UserMode ← (not (DebugMode or ExceptionMode)) and (StatusKSU = 2#10)

```

11.7.2 Software versus Hardware control

In some of the specifications and in this text, the terms “software control” and “hardware control” are used to refer to the method for how trace is controlled. Software control is when the CP0 register *TraceControl* is used to select the modes to trace, etc. Hardware control is when the EJTAG register *TCBCONTROLA* in the TCB, via the PDtrace interface, is used to select the trace modes. The *TraceControl.TS* bit determines whether software or hardware control is active.

11.7.3 Trace information

The main object of trace is to show the exact program flow from a specific program execution or just a small window of the execution. In MIPS Trace this is done by providing the minimal cycle-by-cycle information necessary on the PDtrace™ interface for trace regeneration software to reproduce the trace. The following is a summary of the type of information traced:

- Only instructions which complete at the end of the pipeline are traced, and indicated with a completion-flag. The PC is implicitly pointing to the next instruction.
- Load instructions are indicated with a load-flag.

- Store instructions are indicated with a store-flag².
- Taken branches are indicated with a branch-taken-flag on the target instruction.
- New PC information for a branch is only traced if the branch target is unpredictable from the static program image.
- When branch targets are unpredictable, only the delta value from current PC is traced, if it is dynamically determined to reduce the number of bits necessary to indicate the new PC. Otherwise the full PC value is traced.
- When a completing instruction is executed in a different processor mode from the previous one, the new processor mode is traced.
- The first instruction is always traced as a branch target, with processor mode and full PC.
- Periodic synchronization instructions are identified with a sync-flag, and traced with the processor mode and full PC.

All the instruction flags above are combined into one 3-bit value, to minimize the bit information to trace. The possible processor modes are explained in [Section 11.7.1, "Processor Modes" on page 266](#).

The target address is statically predictable for all branch and all jump-immediate instructions. If the branch is taken, then the branch-taken-flag will indicate this. All jump-register instructions and ERET/DERET are instructions which have an unpredictable target address. These will have full/delta PC values included in the trace information. Also treated as unpredictable are PC changes which occur due to exceptions, such as an interrupt, reset, etc.

Trace regeneration software is required to know the static program image in memory, in order to reproduce the dynamic flow with the above information. But this is usually not a problem. Only the virtual value of the PC is used. Physical memory location will typically differ.

It is possible to turn on PC delta/full information for all branches, but this should not normally be necessary. As a safety check for trace regeneration software, a periodic synchronization with a full PC is sent. The period of this synchronization is cycle based and programmable.

11.7.4 Load/Store address and data trace information

In addition to PC flow, it is possible to get information on the load/store addresses, as well as the data read/written. When enabled, the following information is optionally added to the trace.

- When load-address tracing is on, the full load address of the first load instruction is traced (indicated by the load-flag). For subsequent loads, a dynamically-determined delta to the previous load address is traced to compress the information which must be sent.
- When store-address tracing is on, the full store address of the first store instruction is traced (indicated by the store-flag). For subsequent stores, a dynamically-determined delta to the previous store address is traced.
- When load-data tracing is on, the full load data read by each load instruction is traced (indicated by the load-flag). Only actual read bytes are traced.
- When store-data tracing is on, the full store data written by each store instruction is traced (indicated by the store-flag). Only written bytes are traced.

After each synchronization instruction, the first load address and the first store address following this are both traced with the full address if load/store address tracing is enabled.

² A SC (Store Conditional) instruction is not flagged as a store instruction if the load-locked bit prevented the actual store.

11.7.5 Programmable processor trace mode options

To enable tracing, a global Trace On signal must be set. When trace is on, it is possible to enable tracing in any combination of the processor modes described in [Section 11.7.1, "Processor Modes" on page 266](#). In addition to this, trace can be turned on globally for all process, or only for specific processes by tracing only specific masked values of the ASID found in *EntryHi*_{ASID}.

Additionally, an EJTAG Simple Break trigger point can override the processor mode and ASID selection and turn them all on. Another trigger point can disable this override again.

11.7.6 Programmable trace information options

The processor mode changes are always traced:

- On the first instruction.
- On any synchronization instruction.
- When the mode changes and either the previous or the current processor mode is selected for trace.

The amount of extra information traced is programmable to include:

- PC information only.
- PC and cross product of load/store address/data

If the full internal state of the processor is known prior to trace start, PC and load data are the only information needed to recreate all register values on an instruction by instruction basis.

11.7.6.1 User Data Trace

In addition to the above, a special CP0 register, *UserTraceData*, can generate a data trace. When this register is written, and the global Trace On is set, then the 32-bit data written is put in the trace as special User Data information.

Remark: The User Data is sent even if the processor is operating in an un-traced processor mode.

11.7.7 Enable trace to probe/on-chip memory

When trace is On, based on the options listed in [Section 11.7.5, "Programmable processor trace mode options"](#), the trace information is continuously sent on the PDtrace™ interface to the TCB. The TCB must, however, be enabled to transmit the trace information to the Trace probe or to on-chip trace memory, by having the *TCBCONTROLB*_{EN} bit set. It is possible to enable and disable the TCB in two ways:

- Set/clear the *TCBCONTROLB*_{EN} bit via an EJTAG TAP operation.
- Initialize a TCB trigger to set/clear the *TCBCONTROLB*_{EN} bit.

11.7.8 TCB Trigger

The TCB can optionally include 0 to 8 triggers. A TCB trigger can be programmed to fire from any combination of:

- Probe Trigger Input to the TCB.
- Chip-level Trigger Input to the TCB.
- Processor entry into DebugMode.

When a trigger fires it can be programmed to have any combination of actions:

- Create Probe Trigger Output from TCB.
- Create Chip-level Trigger Output from TCB.
- Set, clear, or start countdown to clear the *TCBCONTROLB_{EN}* bit (start/end/about trigger).
- Put an information byte into the trace stream.

11.7.9 Cycle by cycle information

All of the trace information listed in [Section 11.7.3, "Trace information"](#) and [Section 11.7.4, "Load/Store address and data trace information"](#), will be collected from the PDtrace™ interface by the TCB. The trace will then be compressed and aligned to fit in 64 bit trace words, with no loss of information. It is possible to exclude/include the exact cycle-by-cycle relationship between each instruction. If excluded, the number of bits required in the trace information from the TCB is reduced, and each trace word will only contain information from completing instructions.

11.7.10 Trace Message Format

The TCB collects trace information every cycle from the PDtrace™ interface. This information is collected into six different Trace Formats (TF1 to TF6). One important feature is that all Trace Formats have at least one non-zero bit.

11.7.11 Trace Word Format

After the PDtrace™ data has been turned into Trace Formats, the trace information must be streamed to either on-chip trace memory or to the trace probe. Each of the major Trace Formats are of different size. This complicates how to store this information into an on-chip memory of fixed width without too much wasted space. It also complicates how to transmit data through a fixed-width trace probe interface to off-chip memory. To minimize memory overhead and or bandwidth-loss, the Trace Formats are collected into Trace Words of fixed width.

A Trace Word (TW) is defined to be 64 bits wide. An empty/invalid TW is built of all zeros. A TW which contains one or more valid TF's is guaranteed to have a non-zero value on one of the four least significant bits [3:0]. During operation of the TCB, each TW is built from the TF's generated each clock cycle. When all 64 bits are used, the TW is full and can be sent to either on-chip trace memory or to the trace probe.

11.8 PDtrace™ Registers (software control)

The CP0 registers associated with PDtrace are listed in [Table 11-28](#) and described in [Chapter 7, "CP0 Registers of the 24KE™ Core."](#)

Table 11-28 A List of Coprocessor 0 Trace Registers

Register Number	Sel	Register Name	Reference
23	1	TraceControl	Section 7.2.28, "Trace Control Register (CP0 Register 23, Select 1)" on page 186
23	2	TraceControl2	Section 7.2.29, "Trace Control2 Register (CP0 Register 23, Select 2)" on page 189
23	3	UserTraceData	Section 7.2.30, "User Trace Data Register (CP0 Register 23, Select 3)" on page 192
23	4	TraceBPC	Section 7.2.31, "TraceIBPC Register (CP0 Register 23, Select 4)" on page 193

11.9 Trace Control Block (TCB) Registers (hardware control)

The TCB registers used to control its operation are listed in [Table 11-29](#) and [Table 11-30](#). These registers are accessed via the EJTAG TAP interface.

Table 11-29 TCB EJTAG registers

EJTAG Register	Name	Description	Implemented
0x10	TCBCONTROLA	Control register in the TCB mainly used for controlling the trace input signals to the core on the PDtrace interface. See Section 11.9.1 , "TCBCONTROLA Register" on page 270.	Yes
0x11	TCBCONTROLB	Control register in the TCB that is mainly used to specify what to do with the trace information. The REG [25:21] field in this register specifies the number of the TCB internal register accessed by the TCBDATA register. A list of all the registers that can be accessed by the TCBDATA register is shown in Table 11-30 . See Section 11.9.2 , "TCBCONTROLB Register" on page 273.	Yes
0x12	TCBDATA	This is used to access registers specified by the REG field in the TCBCONTROLB register. See Section 11.9.3 , "TCBDATA Register" on page 277.	Yes
0x13	TCBCONTROLC	Control Register in the TCB used to control and hold tracing information. See Section 11.9.4 , "TCBCONTROLC Register" on page 278.	Yes

Table 11-30 Registers selected by TCBCONTROLB_{REG}

TCBCONTROLB _{REG} field	Name	Reference	Implemented
0	TCBCONFIG	Section 11.9.5 , "TCBCONFIG Register (Reg 0)" on page 279	Yes
4	TCBTW	Section 11.9.6 , "TCBTW Register (Reg 4)" on page 280	Yes if on-chip memory exists. Otherwise No
5	TCBRDP	Section 11.9.7 , "TCBRDP Register (Reg 5)" on page 280	
6	TCBWRP	Section 11.9.8 , "TCBWRP Register (Reg 6)" on page 281	
7	TCBSTP	Section 11.9.9 , "TCBSTP Register (Reg 7)" on page 281	
16-23	TCBTRIG _x	Section 11.9.10 , "TCBTRIG _x Register (Reg 16-23)" on page 282	Only the number indicated by TCBCONFIG _{TRIG} are implemented.

11.9.1 TCBCONTROLA Register

The TCB is responsible for asserting or de-asserting the trace input control signals on the PDtrace interface to the core's tracing logic. Most of the control is done using the *TCBCONTROLA* register.

The *TCBCONTROLA* register is written by an EJTAG TAP controller instruction, *TCBCONTROLA* (0x10).

The format of the *TCBCONTROLA* register is shown below, and the fields are described in [Table 11-31](#).

TCBCONTROLA Register Format

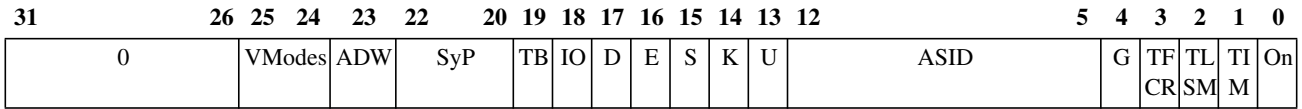


Table 11-31 TCBCONTROLA Register Field Descriptions

Fields		Description	Read/ Write	Reset State																		
Name	Bits																					
0	31:26	Reserved. Must be written as zero; returns zero on read.	R	0																		
VModes	25:24	<p>This field specifies the type of tracing that is supported by the processor, as follows:</p> <table border="1" style="margin-left: auto; margin-right: auto;"> <thead> <tr> <th style="text-align: center;">Encoding</th> <th style="text-align: center;">Meaning</th> </tr> </thead> <tbody> <tr> <td style="text-align: center;">00</td> <td>PC tracing only</td> </tr> <tr> <td style="text-align: center;">01</td> <td>PC and Load and store address tracing only</td> </tr> <tr> <td style="text-align: center;">10</td> <td>PC, load and store address, and load and store data.</td> </tr> <tr> <td style="text-align: center;">11</td> <td>Reserved</td> </tr> </tbody> </table> <p>This field is preset to the value of <i>PDO_ValidModes</i>.</p>	Encoding	Meaning	00	PC tracing only	01	PC and Load and store address tracing only	10	PC, load and store address, and load and store data.	11	Reserved	R	10								
Encoding	Meaning																					
00	PC tracing only																					
01	PC and Load and store address tracing only																					
10	PC, load and store address, and load and store data.																					
11	Reserved																					
ADW	23	<p><i>PDO_AD</i> bus width.</p> <p>0: The <i>PDO_AD</i> bus is 16 bits wide. 1: The <i>PDO_AD</i> bus is 32 bits wide.</p>	R	1																		
SyP	22:20	<p>Used to indicate the synchronization period.</p> <p>The period (in cycles) between which the periodic synchronization information is to be sent is defined as shown in the table below.</p> <table border="1" style="margin-left: auto; margin-right: auto;"> <thead> <tr> <th style="text-align: center;">SyP</th> <th style="text-align: center;">Sync Period</th> </tr> </thead> <tbody> <tr> <td style="text-align: center;">000</td> <td style="text-align: center;">2^5</td> </tr> <tr> <td style="text-align: center;">001</td> <td style="text-align: center;">2^6</td> </tr> <tr> <td style="text-align: center;">010</td> <td style="text-align: center;">2^7</td> </tr> <tr> <td style="text-align: center;">011</td> <td style="text-align: center;">2^8</td> </tr> <tr> <td style="text-align: center;">100</td> <td style="text-align: center;">2^9</td> </tr> <tr> <td style="text-align: center;">101</td> <td style="text-align: center;">2^{10}</td> </tr> <tr> <td style="text-align: center;">110</td> <td style="text-align: center;">2^{11}</td> </tr> <tr> <td style="text-align: center;">111</td> <td style="text-align: center;">2^{12}</td> </tr> </tbody> </table> <p>This field defines the value on the <i>PDI_SyncPeriod</i> signal.</p>	SyP	Sync Period	000	2^5	001	2^6	010	2^7	011	2^8	100	2^9	101	2^{10}	110	2^{11}	111	2^{12}	R/W	000
SyP	Sync Period																					
000	2^5																					
001	2^6																					
010	2^7																					
011	2^8																					
100	2^9																					
101	2^{10}																					
110	2^{11}																					
111	2^{12}																					
TB	19	<p>Trace All Branches. When set to one, this field indicates that the core must trace either full or incremental PC values for all branches. When set to zero, only the unpredictable branches are traced.</p> <p>This field defines the value on the <i>PDI_TraceAllBranch</i> signal.</p>	R/W	Undefined																		

Table 11-31 *TCBCONTROLA* Register Field Descriptions (Continued)

Fields		Description	Read/ Write	Reset State
Name	Bits			
IO	18	Inhibit Overflow. This bit is used to indicate to the core trace logic that slow but complete tracing is desired. Hence, the core tracing logic must not allow a FIFO overflow and discard trace data. This is achieved by stalling the pipeline when the FIFO is nearly full so that no trace records are ever lost. This field defines the value on the <i>PDI_InhibitOverflow</i> signal.	R/W	Undefined
D	17	When set to one, this enables tracing in Debug mode, i.e., when the DM bit is one in the <i>Debug</i> register. For trace to be enabled in Debug mode, the On bit must be one and either the G bit must be one, or the current process must match the ASID field in this register. When set to zero, trace is disabled in Debug mode, irrespective of other bits. This field defines the value on the <i>PDI_DM</i> signal.	R/W	Undefined
E	16	This controls when tracing is enabled. When set, tracing is enabled when either of the EXL or ERL bits in the <i>Status</i> register is one, provided that the On bit (bit 0) is also set, and either the G bit is set, or the current process ASID matches the ASID field in this register. This field defines the value on the <i>PDI_E</i> signal.	R/W	Undefined
S	15	When set, this enables tracing when the core is in Supervisor mode as defined in the MIPS32 or MIPS64 architecture specification. This is provided the On bit (bit 0) is also set, and either the G bit is set, or the current process ASID matches the ASID field in this register. This field defines the value on the <i>PDI_S</i> signal.	R/W	Undefined
K	14	When set, this enables tracing when the On bit is set and the core is in Kernel mode. Unlike the usual definition of Kernel Mode, this bit enables tracing only when the ERL and EXL bits in the <i>Status</i> register are zero. This is provided the On bit (bit 0) is also set, and either the G bit is set, or the current process ASID matches the ASID field in this register. This field defines the value on the <i>PDI_K</i> signal.	R/W	Undefined
U	13	When set, this enables tracing when the core is in User mode as defined in the MIPS32 or MIPS64 architecture specification. This is provided the On bit (bit 0) is also set, and either the G bit is set, or the current process ASID matches the ASID field in this register. This field defines the value on the <i>PDI_U</i> signal.	R/W	Undefined
ASID	12:5	The ASID field to match when the G bit is zero. When the G bit is one, this field is ignored. This field defines the value on the <i>PDI_ASID</i> signal.	R/W	Undefined
G	4	When set, this implies that tracing is to be enabled for all processes, provided that other enabling functions (like U, S, etc.) are also true. This field defines the value on the <i>PDI_G</i> signal.	R/W	Undefined

Table 11-31 TCBCONTROLA Register Field Descriptions (Continued)

Fields		Description	Read/ Write	Reset State
Name	Bits			
TFCR	3	When set, this indicates to the PDtrace interface that complete information about instruction if it can be a function call or return should be traced, that is signal <i>PDI_TraceFuncCR</i> is asserted as long as this value is set to 1. It also indicates to the TCB that the optional Fcr bit must be traced in the appropriate trace formats	R/W	Undefined
TLSM	2	When set, this indicates to the PDtrace interface that complete information about Load and Store data cache miss should be traced, that is signal <i>PDI_TraceLSMiss</i> is asserted as long as this value is set to 1. It also indicates to the TCB that the optional LSm bit must be traced in the appropriate trace formats.	R/W	Undefined
TIM	1	When set, this indicates to the PDtrace interface that complete information about instruction cache miss should be traced, that is signal <i>PDI_TraceIMiss</i> is asserted as long as this value is set to 1. It also indicates to the TCB that the optional Im bit must be traced in the appropriate trace formats.	R/W	Undefined
On	0	This is the global trace enable switch to the core. When zero, tracing from the core is always disabled, unless enabled by core internal software override of the <i>PDI_*</i> input pins. When set to one, tracing is enabled whenever the other enabling functions are also true. This field defines the value on the <i>PDI_TraceOn</i> signal.	R/W	0

11.9.2 TCBCONTROLB Register

The TCB includes a second control register, *TCBCONTROLB* (0x11). This register generally controls what to do with the trace information received.

The format of the *TCBCONTROLB* register is shown below, and the fields are described in [Table 11-32](#).

TCBCONTROLB Register Format

31	30	28	27	26	25	21	20	19	17	16	15	14	13	12	11	10	8	7	6	3	2	1	0	
WE	0	TWSrc Width	REG	WR	0	RM	TR	BF	TM	TL SIF	CR	Cal	TWSrcVal	CA	OfC	EN								

Table 11-32 TCBCONTROLB Register Field Descriptions

Fields		Description	Read/ Write	Reset State
Name	Bits			
WE	31	Write Enable. Only when set to 1 will the other bits be written in <i>TCBCONTROLB</i> . This bit will always read 0.	R	0
0	30:28	Reserved. Must be written as zero; returns zero on read.	R	0

Table 11-32 *TCBCONTROLB* Register Field Descriptions (Continued)

Fields		Description	Read/ Write	Reset State
Name	Bits			
TWSrcWidth	27:26	Used to indicate the number of bits used in the source field of the Trace Word, this is a configuration option of the core that cannot be modified by software. 00 - zero source field width 01 - two bit source field width 10 - four bit source field width 11 - reserved for future use This field is always zero for the 24KE core.	R	00
REG	25:21	Register select: This field select the registers accessible through the <i>TCBDATA</i> register. Legal values are shown in Table 11-30.	R/W	0
WR	20	Write Registers: When set, the register selected by REG field is read and written when <i>TCBDATA</i> is accessed. Otherwise the selected register is only read.	R/W	0
0	19:17	Reserved. Must be written as zero; returns zero on read.	R	0
RM	16	Read on-chip trace memory. When written to 1, the read address-pointer of the on-chip memory is set to point to the oldest memory location written since the last reset of pointers. Subsequent access to the <i>TCBTW</i> register (through the <i>TCBDATA</i> register), will automatically increment the read pointer (<i>TCBRDP</i> register) after each read. [Note: The read pointer does not auto-increment if the WR field is one.] When the write pointer is reached, this bit is automatically reset to 0, and the <i>TCBTW</i> register will read all zeros. Once set to 1, writing 1 again will have no effect. The bit is reset by setting the TR bit or by reading the last Trace word in <i>TCBTW</i> . This bit is reserved if on-chip memory is not implemented.	R/W1	0
TR	15	Trace memory reset. When written to one, the address pointers for the on-chip trace memory are reset to zero. Also the RM bit is reset to 0. This bit is automatically de-asserted back to 0, when the reset is completed. This bit is reserved if on-chip memory is not implemented.	R/W1	0
BF	14	Buffer Full indicator that the TCB uses to communicate to external software in the situation that the on-chip trace memory is being deployed in the trace-from and trace-to mode. (See Section 11.13, "TCB On-Chip Trace Memory") This bit is cleared when writing 1 to the TR bit This bit is reserved if on-chip memory is not implemented.	R	0

Table 11-32 TCBCONTROLB Register Field Descriptions (Continued)

Fields		Description	Read/ Write	Reset State										
Name	Bits													
TM	13:12	<p>Trace Mode. This field determines how the trace memory is filled when using the simple-break control in the PDtrace™ interface to start or stop trace.</p> <table border="1"> <thead> <tr> <th>TM</th> <th>Trace Mode</th> </tr> </thead> <tbody> <tr> <td>00</td> <td>Trace-To</td> </tr> <tr> <td>01</td> <td>Trace-From</td> </tr> <tr> <td>10</td> <td>Reserved</td> </tr> <tr> <td>11</td> <td>Reserved</td> </tr> </tbody> </table> <p>In Trace-To mode, the on-chip trace memory is filled, continuously wrapping around and overwriting older Trace Words, as long as there is trace data coming from the core.</p> <p>In Trace-From mode, the on-chip trace memory is filled from the point that <i>PDO_IamTracing</i> is asserted, and until the on-chip trace memory is full.</p> <p>In both cases, de-asserting the EN bit in this register will also stop fill to the trace memory.</p> <p>If a <i>TCBTRIGx</i> trigger control register is used to start/stop tracing, then this field should be set to Trace-To mode.</p> <p>This bit is reserved if on-chip memory is not implemented.</p>	TM	Trace Mode	00	Trace-To	01	Trace-From	10	Reserved	11	Reserved	R/W	0
TM	Trace Mode													
00	Trace-To													
01	Trace-From													
10	Reserved													
11	Reserved													
TLSIF	11	<p>When set, this indicates to the TCB that information about Load and Store data cache miss, instruction cache miss, and function call are to be taken from the PDtrace interface and trace them out in the appropriate trace formats as the three optional bits LSm, Im, and Fcr.</p>	R/W	0										
CR	10:8	<p>Off-chip Clock Ratio. Writing this field, sets the ratio of the core clock to the off-chip trace memory interface clock. The clock-ratio encoding is shown in Table 11-33 on page 277.</p> <p>Remark: As the Probe interface works in double data rate (DDR) mode, a 1:2 ratio indicates one data packet sent per core clock rising edge.</p> <p>This bit is reserved if off-chip trace option is not implemented.</p>	R/W	100										

Table 11-32 *TCBCONTROLB* Register Field Descriptions (Continued)

Fields		Description	Read/Write	Reset State																																																												
Name	Bits																																																															
Cal	7	<p>Calibrate off-chip trace interface.</p> <p>If set to one, the off-chip trace pins will produce the following pattern in consecutive trace clock cycles. If more than 4 data pins exist, the pattern is replicated for each set of 4 pins. The pattern repeats from top to bottom until the Cal bit is de-asserted.</p> <table border="1" style="margin-left: auto; margin-right: auto;"> <thead> <tr> <th colspan="4">Calibrations pattern</th> </tr> <tr> <th>3</th> <th>2</th> <th>1</th> <th>0</th> </tr> </thead> <tbody> <tr><td>0</td><td>0</td><td>0</td><td>0</td></tr> <tr><td>1</td><td>1</td><td>1</td><td>1</td></tr> <tr><td>0</td><td>0</td><td>0</td><td>0</td></tr> <tr><td>0</td><td>1</td><td>0</td><td>1</td></tr> <tr><td>1</td><td>0</td><td>1</td><td>0</td></tr> <tr><td>1</td><td>0</td><td>0</td><td>0</td></tr> <tr><td>0</td><td>1</td><td>0</td><td>0</td></tr> <tr><td>0</td><td>0</td><td>1</td><td>0</td></tr> <tr><td>0</td><td>0</td><td>0</td><td>1</td></tr> <tr><td>1</td><td>1</td><td>1</td><td>0</td></tr> <tr><td>1</td><td>1</td><td>0</td><td>1</td></tr> <tr><td>1</td><td>0</td><td>1</td><td>1</td></tr> <tr><td>0</td><td>1</td><td>1</td><td>1</td></tr> </tbody> </table> <p style="margin-left: 20px;">This pattern is replicated for every 4 bits of <i>TR_DATA</i> pins.</p> <p>Note: The clock source of the TCB and PIB must be running.</p> <p>This bit is reserved if off-chip trace option is not implemented.</p>	Calibrations pattern				3	2	1	0	0	0	0	0	1	1	1	1	0	0	0	0	0	1	0	1	1	0	1	0	1	0	0	0	0	1	0	0	0	0	1	0	0	0	0	1	1	1	1	0	1	1	0	1	1	0	1	1	0	1	1	1	R/W	0
Calibrations pattern																																																																
3	2	1	0																																																													
0	0	0	0																																																													
1	1	1	1																																																													
0	0	0	0																																																													
0	1	0	1																																																													
1	0	1	0																																																													
1	0	0	0																																																													
0	1	0	0																																																													
0	0	1	0																																																													
0	0	0	1																																																													
1	1	1	0																																																													
1	1	0	1																																																													
1	0	1	1																																																													
0	1	1	1																																																													
TWSrcVal	6:3	<p>These bits are used to indicate the value of the TW source field that will be traced if TWSrcWidth indicates a source bit field width of 2 or 4 bits. Note that if the field is 2 bits, then only bits 4:3 of this field will be used in the TW.</p> <p>Since the 24KE core only supports a zero value for TWSrcWidth, this field is always 0.</p>	R	0																																																												
CA	2	<p>Cycle accurate trace.</p> <p>When set to 1, the trace will include stall information. When set to 0, the trace will exclude stall information, and remove bit zero from all transmitted TF's.</p> <p>The stall information included/excluded is:</p> <ul style="list-style-type: none"> • TF6 formats with TCBcode 0001 and 0101. • All TF1 formats. 	R/W	0																																																												
OfC	1	<p>If set to 1, trace is sent to off-chip memory using <i>TR_DATA</i> pins.</p> <p>If set to 0, trace info is sent to on-chip memory.</p> <p>This bit is read only if a single memory option exists (either off-chip or on-chip only).</p>	R/W	Preset																																																												

Table 11-32 TCBCONTROLB Register Field Descriptions (Continued)

Fields		Description	Read/Write	Reset State
Name	Bits			
EN	0	<p>Enable trace.</p> <p>This is the master enable for trace to be generated from the TCB. This bit can be set or cleared, either by writing this register or from a start/stop/about trigger.</p> <p>When set to 1, trace information is sampled on the PDO_{-}^{*} pins. Trace Words are generated and sent to either on-chip memory or to the Trace Probe. The target of the trace is selected by the OfC bit.</p> <p>When set to 0, trace information on the PDO_{-}^{*} pins is ignored. A potential TF6-stop (from a stop trigger) is generated as the last information, the TCB pipe-line is flushed, and trace output is stopped.</p>	R/W	0

Table 11-33 Clock Ratio encoding of the CR field

CR/CRMin/CRMax	Clock Ratio
000	8:1 (Trace clock is eight times that of core clock)
001	4:1 (Trace clock is four times that of core clock)
010	2:1 (Trace clock is double that of core clock)
011	1:1 (Trace clock is same as core clock)
100	1:2 (Trace clock is one half of core clock)
101	1:4 (Trace clock is one fourth of core clock)
110	1:6 (Trace clock is one sixth of core clock)
111	1:8 (Trace clock is one eighth of core clock)

11.9.3 TCBDATA Register

The *TCBDATA* register (0x12) is used to access the registers defined by the *TCBCONTROLB*_{REG} field; see [Table 11-30](#). Regardless of which register or data entry is accessed through *TCBDATA*, the register is only written if the *TCBCONTROLB*_{WR} bit is set. For read-only registers, the *TCBCONTROLB*_{WR} is a don't care.

The format of the *TCBDATA* register is shown below, and the field is described in [Table 11-34](#). The width of *TCBDATA* is 64 bits when on-chip trace words (TWs) are accessed (*TCBTW* access).

TCBDATA Register Format

31(63)	0
Data	

Table 11-34 TCBDATA Register Field Descriptions

Fields		Description	Read/Write	Reset State
Names	Bits			
Data	31:0 63:0	Register fields or data as defined by the <i>TCBCONTROLB_{REG}</i> field	Only writable if <i>TCBCONTROLB_{WR}</i> is set	0

11.9.4 TCBCONTROL C Register

The trace output from the processor on the PDtrace interface can be controlled by the trace input signals to the processor from the TCB. The TCB uses a control register, *TCBCONTROL C*, whose values are used to change the signal values on the PDtrace input interface. External software (i.e., debugger), can therefore manipulate the trace output by writing the *TCBCONTROL C* register.

The *TCBCONTROL C* register is written by an EJTAG TAP controller instruction, *TCBCONTROL C* (0x13).

The format of the *TCBCONTROL C* register is shown below, and the fields are described in [Table 11-31](#).

TCBCONTROL C Register Format

31	28 27	23 22	0
0	Mode	0	0

Table 11-35 TCBCONTROL C Register Field Descriptions

Fields		Description	Read/Write	Reset State												
Name	Bits															
0	31:28	Reserved for future use. Must be written as zero; returns zero on read.	0	0												
Mode	27:23	<p>When tracing is turned on, this signal specifies what information is to be traced by the core. It uses 5 bits, where each bit turns on a tracing of a specific tracing mode. The table shows what trace value is turned on</p> <table border="1" style="margin-left: auto; margin-right: auto;"> <thead> <tr> <th>Bit # Set</th> <th>Trace The Following</th> </tr> </thead> <tbody> <tr> <td>0</td> <td>PC</td> </tr> <tr> <td>1</td> <td>Load address</td> </tr> <tr> <td>2</td> <td>Store address</td> </tr> <tr> <td>3</td> <td>Load data</td> </tr> <tr> <td>4</td> <td>Store data</td> </tr> </tbody> </table> <p>when that bit value is a 1. If the corresponding bit is 0, then the Trace Value shown in column two is not traced by the processor.</p> <p>On the 24KE core PC tracing is always enabled, regardless of the value on bit 23.</p> <p>This field defines the value on the <i>PDI_TraceMode</i> signal.</p>	Bit # Set	Trace The Following	0	PC	1	Load address	2	Store address	3	Load data	4	Store data	R/W	0
Bit # Set	Trace The Following															
0	PC															
1	Load address															
2	Store address															
3	Load data															
4	Store data															
0	22:0	Reserved for future use. Must be written as zero; returns zero on read.	0	0												

11.9.5 TCBCONFIG Register (Reg 0)

The *TCBCONFIG* register holds information about the hardware configuration of the TCB. The format of the *TCBCONFIG* register is shown below, and the field is described in [Table 11-36](#).

TCBCONFIG Register Format

31	30	25	24	21	20	17	16	14	13	11	10	9	8	6	5	4	3	0
CF1	0	TRIG	SZ	CRMax	CRMin	PW	Pin	OnT	OffT	REV								

Table 11-36 TCBCONFIG Register Field Descriptions

Fields		Description	Read/ Write	Reset State										
Name	Bits													
CF1	31	This bit is set if a <i>TCBCONFIG1</i> register exists. In this revision, <i>TCBCONFIG1</i> does not exist and this bit always reads zero.	R	0										
0	30:25	Reserved. Must be written as zero; returns zero on read.	R	0										
TRIG	24:21	Number of triggers implemented. This also indicates the number of <i>TCBTRIGx</i> registers that exist.	R	Preset Legal values are 0 - 8										
SZ	20:17	On-chip trace memory size. This field holds the encoded size of the on-chip trace memory. The size in bytes is given by $2^{(SZ+8)}$, implying that the minimum size is 256 bytes and the largest is 8Mb. This bit is reserved if on-chip memory is not implemented.	R	Preset										
CRMax	16:14	Off-chip Maximum Clock Ratio. This field indicates the maximum ratio of the core clock to the off-chip trace memory interface clock. The clock-ratio encoding is shown in Table 11-33 on page 277 . This bit is reserved if off-chip trace option is not implemented.	R	Preset										
CRMin	13:11	Off-chip Minimum Clock Ratio. This field indicates the minimum ratio of the core clock to the off-chip trace memory interface clock. The clock-ratio encoding is shown in Table 11-33 on page 277 . This bit is reserved if off-chip trace option is not implemented.	R	Preset										
PW	10:9	Probe Width: Number of bits available on the off-chip trace interface <i>TR_DATA</i> pins. The number of <i>TR_DATA</i> pins is encoded, as shown in the table. <table border="1" style="margin-left: auto; margin-right: auto;"> <thead> <tr> <th>PW</th> <th>Number of bits used on <i>TR_DATA</i></th> </tr> </thead> <tbody> <tr> <td>00</td> <td>4 bits</td> </tr> <tr> <td>01</td> <td>8 bits</td> </tr> <tr> <td>10</td> <td>16 bits</td> </tr> <tr> <td>11</td> <td>reserved</td> </tr> </tbody> </table> This field is preset based on input signals to the TCB and the actual capability of the TCB. This bit is reserved if off-chip trace option is not implemented.	PW	Number of bits used on <i>TR_DATA</i>	00	4 bits	01	8 bits	10	16 bits	11	reserved	R	Preset
PW	Number of bits used on <i>TR_DATA</i>													
00	4 bits													
01	8 bits													
10	16 bits													
11	reserved													

Table 11-36 TCBCONFIG Register Field Descriptions (Continued)

Fields		Description	Read/ Write	Reset State
Name	Bits			
PiN	8:6	Pipe number. Indicates the number of execution pipelines.	R	0
OnT	5	When set, this bit indicates that on-chip trace memory is present. This bit is preset based on the selected option when the TCB is implemented.	R	Preset
OfT	4	When set, this bit indicates that off-chip trace interface is present. This bit is preset based on the selected option when the TCB is implemented, and on the existence of a PIB module (<i>TC_PibPresent</i> asserted).	R	Preset
REV	3:0	Revision of TCB. An implementation that conforms to PDtrace version 4.x must have a value of 1 for this field.	R	1

11.9.6 TCBTW Register (Reg 4)

The *TCBTW* register is used to read Trace Words from the on-chip trace memory. The TW read is the one pointed to by the *TCBRDP* register. A side effect of reading the *TCBTW* register is that the *TCBRDP* register increments to the next TW in the on-chip trace memory. If *TCBRDP* is at the max size of the on-chip trace memory, the increment wraps back to address zero.

This register is reserved if on-chip trace memory is not implemented.

The format of the *TCBTW* register is shown below, and the field is described in [Table 11-37](#).

TCBTW Register Format

63

0

Data

Table 11-37 TCBTW Register Field Descriptions

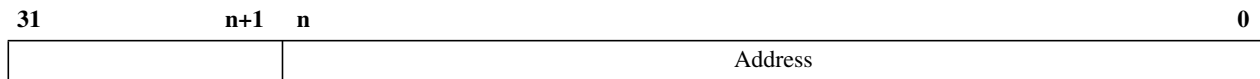
Fields		Description	Read/ Write	Reset State
Names	Bits			
Data	63:0	Trace Word	R/W	0

11.9.7 TCBRDP Register (Reg 5)

The *TCBRDP* register is the address pointer to on-chip trace memory. It points to the TW read when reading the *TCBTW* register. When writing the *TCBCONTROLB_{RM}* bit to 1, this pointer is reset to the current value of *TCBSTP*.

This register is reserved if on-chip trace memory is not implemented.

The format of the *TCBRDP* register is shown below, and the field is described in [Table 11-38](#). The value of n depends on the size of the on-chip trace memory. As the address points to a 64-bit TW, lower three bits are always zero.

TCBRDP Register Format**Table 11-38 TCBRDP Register Field Descriptions**

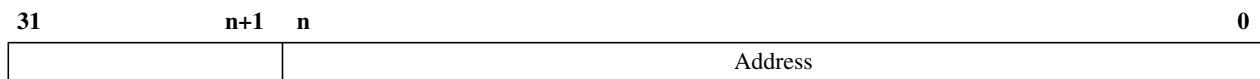
Fields		Description	Read/ Write	Reset State
Names	Bits			
Data	31:(n+1)	Reserved. Must be written zero, reads back zero.	0	0
Address	n:0	Byte address of on-chip trace memory word.	R/W	0

11.9.8 TCBWRP Register (Reg 6)

The *TCBWRP* register is the address pointer to on-chip trace memory. It points to the location where the next new TW for on-chip trace will be written.

This register is reserved if on-chip trace memory is not implemented.

The format of the *TCBWRP* register is shown below, and the fields are described in [Table 11-39](#). The value of *n* depends on the size of the on-chip trace memory. As the address points to a 64-bit TW, the lower three bits are always zero.

TCBWRP Register Format**Table 11-39 TCBWRP Register Field Descriptions**

Fields		Description	Read/ Write	Reset State
Names	Bits			
Data	31:(n+1)	Reserved. Must be written zero, reads back zero.	0	0
Address	n:0	Byte address of on-chip trace memory word.	R/W	0

11.9.9 TCBSTP Register (Reg 7)

The *TCBSTP* register is the start pointer register. This register points to the on-chip trace memory address at which the oldest TW is located. This pointer is reset to zero when the *TCBCONTROLB_{TR}* bit is written to 1. If a continuous trace to on-chip memory wraps around the on-chip memory, *TSBSTP* will have the same value as *TCBWRP*.

This register is reserved if on-chip trace memory is not implemented.

The format of the *TCBSTP* register is shown below, and the fields are described in [Table 11-40](#). The value of *n* depends on the size of the on-chip trace memory. As the address points to a 64-bit TW, lower three bits are always zero.

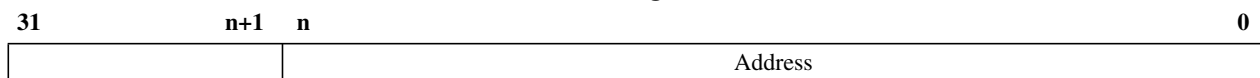
TCBSTP Register Format

Table 11-40 TCBSTP Register Field Descriptions

Fields		Description	Read/ Write	Reset State
Names	Bits			
Data	31:(n+1)	Reserved. Must be written zero, reads back zero.	0	0
Address	n:0	Byte address of on-chip trace memory word.	R/W	0

11.9.10 TCBTRIGx Register (Reg 16-23)

Up to eight Trigger Control registers are possible. Each register is named *TCBTRIGx*, where *x* is a single digit number from 0 to 7 (*TCBTRIG0* is Reg 16). The actual number of trigger registers implemented is defined in the *TCBCONFIG_{TRIG}* field. An unimplemented register will read all zeros and writes are ignored.

Each Trigger Control register controls when an associated trigger is fired, and the action to be taken when the trigger occurs. Please also read [Section 11.11, "TCB Trigger logic" on page 288](#), for detailed description of trigger logic issues.

The format of the *TCBTRIGx* register is shown below, and the fields are described in [Table 11-41](#).

TCBTRIGx Register Format

31	24	23	22	17	16	15	14	13	7	6	5	4	3	2	1	0
TCBinfo	Trace	0	CH Tro	PD Tro	0	DM	CH Tri	PD Tri	Type	FO	TR					

Table 11-41 TCBTRIGx Register Field Descriptions

Fields		Description	Read/ Write	Reset State
Names	Bits			
TCBinfo	31:24	TCBinfo to be used in a possible TF6 trace format when this trigger fires.	R/W	0
Trace	23	When set, generate TF6 trace information when this trigger fires. Use TCBinfo field for the TCBinfo of TF6 and use Type field for the two MSB of the TCbtype of TF6. The two LSB of TCbtype are 00. The write value of this bit always controls the behavior of this trigger. When this trigger fires, the read value will change to indicate if the TF6 format was ever suppressed by a simultaneous trigger. If so, the read value will be 0. If the write value was 0, the read value is always 0. This special read value is valid until the <i>TCBTRIGx</i> register is written.	R/W	0
0	22:16	Reserved. Must be written as zero; returns zero on read.	R	0
CHTro	15	When set, generate a single cycle strobe on <i>TC_ChipTrigOut</i> when this trigger fires.	R/W	0
PDTro	14	When set, generate a single cycle strobe on <i>TC_ProbeTrigOut</i> when this trigger fires.	R/W	0
0	13:7	Reserved. Must be written as zero; returns zero on read.	R	0

Table 11-41 *TCBTRIGx* Register Field Descriptions (Continued)

Fields		Description	Read/ Write	Reset State
Names	Bits			
DM	6	<p>When set, this Trigger will fire when a rising edge on the Debug mode indication from the core is detected.</p> <p>The write value of this bit always controls the behavior of this trigger.</p> <p>When this trigger fires, the read value will change to indicate if this source was ever the cause of a trigger action (even if the action was suppressed). If so the read value will be 1. If the write value was 0 the read value is always 0. This special read value is valid until the <i>TCBTRIGx</i> register is written.</p>	R/W	0
CHTri	5	<p>When set, this Trigger will fire when a rising edge on <i>TC_ChipTrigIn</i> is detected.</p> <p>The write value of this bit always controls the behavior of this trigger.</p> <p>When this trigger fires, the read value will change to indicate if this source was ever the cause of a trigger action (even if the action was suppressed). If so the read value will be 1. If the write value was 0 the read value is always 0. This special read value is valid until the <i>TCBTRIGx</i> register is written.</p>	R/W	0
PDTri	4	<p>When set, this Trigger will fire when a rising edge on <i>TC_ProbeTrigIn</i> is detected.</p> <p>The write value of this bit always controls the behavior of this trigger.</p> <p>When this trigger fires, the read value will change to indicate if this source was ever the cause of a trigger action (even if the action was suppressed). If so the read value will be 1. If the write value was 0 the read value is always 0. This special read value is valid until the <i>TCBTRIGx</i> register is written.</p>	R/W	0

Table 11-41 *TCBTRIGx* Register Field Descriptions (Continued)

Fields		Description	Read/ Write	Reset State										
Names	Bits													
Type	3:2	<p>Trigger Type: The Type indicates the action to take when this trigger fires. The table below show the Type values and the Trigger action.</p> <table border="1"> <thead> <tr> <th>Type</th> <th>Trigger action</th> </tr> </thead> <tbody> <tr> <td>00</td> <td>Trigger Start: Trigger start-point of trace.</td> </tr> <tr> <td>01</td> <td>Trigger End: Trigger end-point of trace.</td> </tr> <tr> <td>10</td> <td>Trigger About: Trigger center-point of trace.</td> </tr> <tr> <td>11</td> <td>Trigger Info: No action trigger, only for trace info.</td> </tr> </tbody> </table> <p>The actual action is to set or clear the <i>TCBCONTROLB_{EN}</i> bit. A Start trigger will set <i>TCBCONTROLB_{EN}</i>, a End trigger will clear <i>TCBCONTROLB_{EN}</i>. The About trigger will clear <i>TCBCONTROLB_{EN}</i> half way through the trace memory, from the trigger. The size determined by the <i>TCBCONFIG_{SZ}</i> field for on-chip memory. Or from the <i>TCBCONTROLA_{SyP}</i> field for off-chip trace.</p> <p>If Trace is set, then a TF6 format is added to the trace words. For Start and Info triggers this is done before any other TF's in that same cycle. For End and About triggers, the TF6 format is added after any other TF's in that same cycle.</p> <p>If the <i>TCBCONTROLB_{TM}</i> field is implemented it must be set to Trace-To mode (00), for the Type field to control on-chip trace fill.</p> <p>The write value of this bit always controls the behavior of this trigger.</p> <p>When this trigger fires, the read value will change to indicate if the trigger action was ever suppressed. If so the read value will be 11. If the write value was 11 the read value is always 11. This special read value is valid until the <i>TCBTRIGx</i> register is written.</p>	Type	Trigger action	00	Trigger Start: Trigger start-point of trace.	01	Trigger End: Trigger end-point of trace.	10	Trigger About: Trigger center-point of trace.	11	Trigger Info: No action trigger, only for trace info.	R/W	0
Type	Trigger action													
00	Trigger Start: Trigger start-point of trace.													
01	Trigger End: Trigger end-point of trace.													
10	Trigger About: Trigger center-point of trace.													
11	Trigger Info: No action trigger, only for trace info.													
FO	1	<p>Fire Once. When set, this trigger will not re-fire until the TR bit is de-asserted. When de-asserted this trigger will fire each time one of the trigger sources indicates trigger.</p>	R/W	0										
TR	0	<p>Trigger happened. When set, this trigger fired since the TR bit was last written 0.</p> <p>This bit is used to inspect whether the trigger fired since this bit was last written zero.</p> <p>When set, all the trigger source bits (bit 4 to 13) will change their read value to indicate if the particular bit was the source to fire this trigger. Only enabled trigger sources can set the read value, but more than one is possible.</p> <p>Also when set the Type field and the Trace field will have read values which indicate if the trigger action was ever suppressed by a higher priority trigger.</p>	R/W0	0										

11.9.11 Register Reset State

Reset state for all register fields is entered when either of the following occur:

1. TAP controller enters/is in Test-Logic-Reset state.
2. *EJ_TRST_N* input is asserted low.

11.10 Enabling MIPS Trace

As there are several ways to enable tracing, it can be quite confusing to figure out how to turn tracing on and off. This section should help clarify the enabling of trace.

11.10.1 Trace Trigger from EJTAG Hardware Instruction/Data Breakpoints

If hardware instruction/data simple breakpoints are implemented in the 24KE core, then these breakpoint can be used as triggers to start/stop trace. When used for this, the breakpoints need not also generate a debug exception, but are capable of only generating an internal trigger to the trace logic. This is done by only setting the TE bit and not the BE bit in the Breakpoint Control register. Please see [Section 11.2.8.5, "Instruction Breakpoint Control n \(IBCn\) Register" on page 238](#) and [Section 11.2.9.5, "Data Breakpoint Control n \(DBCn\) Register" on page 244](#), for details on breakpoint control.

In connection with the breakpoints, the Trace BreakPoint Control (*TraceBPC*) register is used to define the trace action when a trigger happens. When a breakpoint is enabled as a trigger (TE = 1), it can be selected to be either a start or a stop trigger to the trace logic. Please see [Section 7.2.31, "TraceIBPC Register \(CP0 Register 23, Select 4\)" on page 193](#) for detail in how to define a start/stop trigger.

11.10.2 Turning On PDtrace™ Trace

Trace enabling and disabling from software is similar to the hardware method, with the exception that the bits in the control register are used instead of the input enable signals from the TCB. The *TraceControl_{TS}* bit controls whether hardware (via the TCB), or software (via the *TraceControl* register) controls tracing functionality.

Trace is turned on when the following expression evaluates true:

```
(
  (
    (TraceControlTS and TraceControlOn) or
    ((not TraceControlTS) and TCBCONTROLAOn)
  )
  and
  (MatchEnable or TriggerEnable)
)
```

where,

```
MatchEnable ←
(
  TraceControlTS
  and
  (
    TraceControlG or
    (((TraceControlASID xor EntryHiASID) and (not TraceControlASID_M)) = 0)
  )
  and
  (
    (TraceControlU and UserMode) or
    (TraceControlS and SupervisorMode) or
    (TraceControlK and KernelMode) or
    (TraceControlE and ExceptionMode) or
    (TraceControlD and DebugMode)
  )
)
or
(
```

```

(not TraceControlTS)
and
(TCBCONTROLAG or (TCBCONTROLAASID = EntryHiASID))
and
(
  (TCBCONTROLAU and UserMode)      or
  (TCBCONTROLAS and SupervisorMode) or
  (TCBCONTROLAK and KernelMode)    or
  (TCBCONTROLAE and ExceptionMode) or
  (TCBCONTROLADM and DebugMode)
)
)

```

and where,

```

TriggerEnable ←
(
  DBCiTE      and
  DBSBS[i]    and
  TraceBPCDE  and
  (TraceBPCDBPOn[i] = 1)
)
or
(
  IBCiTE      and
  IBSBS[i]    and
  TraceBPCIE  and
  (TraceBPCIBPOn[i] = 1)
)

```

As seen in the expression above, trace can be turned on only if the master switch *TraceControl*_{On} or *TCBCONTROLA*_{On} is first asserted.

Once this is asserted, there are two ways to turn on tracing. The first way, the *MatchEnable* expression, uses the input enable signals from the TCB or the bits in the *TraceControl* register. This tracing is done over general program areas. For example, all of the user-level code for a particular process (if ASID is specified), and so on.

The second way to turn on tracing, the *TriggerEnable* expression, is from the processor side using the EJTAG hardware breakpoint triggers. If EJTAG is implemented, and hardware breakpoints can be set, then using this method enables finer grain tracing control. It is possible to send a trigger signal that turns on tracing at a particular instruction. For example, it would be possible to trace a single procedure in a program by triggering on trace at the first instruction, and triggering off trace at the last instruction.

The easiest way to unconditionally turn on trace is to assert either hardware or software tracing and the corresponding trace on signal with other enables. For example, with *TraceControl*_{TS}=0, i.e., hardware controlled tracing, assert *TCBCONTROLA*_{On}, *TCBCONTROLA*_G, and all the other signals in the second part of expression *MatchEnable*. To only trace when a particular process with a known ASID is executing, assert *TCBCONTROLA*_{On}, the correct *TCBCONTROLA*_{ASID} value, and all of *TCBCONTROLA*_U, *TCBCONTROLA*_K, *TCBCONTROLA*_E, and *TCBCONTROLA*_{DM}. (If it is known that the particular process is a user-level process, then it would be sufficient to only assert *TCBCONTROLA*_U for example). When using the EJTAG hardware triggers to turn trace on and off, it is best if *TCBCONTROLA*_{On} is asserted and all the other processor mode selection bits in *TCBCONTROLA* are turned off. This would be the least confusing way to control tracing with the trigger signals. Tracing can be controlled via software with the *TraceControl* register in a similar manner.

11.10.3 Turning Off PDtrace™ Trace

Trace is turned off when the following expression evaluates true:

```
(
  (TraceControlTS and (not TraceControlOn)) or
  ((not TraceControlTS) and (not TCBCONTROLAOn)
)
or
(
  (not MatchEnable)      and
  (not TriggerEnable)    and
  TriggerDisable
)
)
```

where,

```
TriggerDisable ←
(
  DBCiTE      and
  DBSBS[i]    and
  TraceBPCDE  and
  (TraceBPCDBPON[i] = 0)
)
or
(
  IBCiTE      and
  IBSBS[i]    and
  TraceBPCIE  and
  (TraceBPCIBPON[i] = 0)
)
```

Tracing can be unconditionally turned off by de-asserting the *TraceControl_{On}* bit or the *TCBCONTROLA_{On}* signal. When either of these are asserted, tracing can be turned off if all of the enables are de-asserted, irrespective of the *TraceControl_G* bit (*TCBCONTROLA_G*) and *TraceControl_{ASID}* (*TCBCONTROLA_{ASID}*) values. EJTAG hardware breakpoints can be used to trigger trace off as well. Note that if simultaneous triggers are generated, and even one of them turns on tracing, then even if all of the others attempt to trigger trace off, then tracing will still be turned on. This condition is reflected in presence of the “(not TriggerEnable)” term in the expression above.

11.10.4 TCB Trace Enabling

The TCB must be enabled in order to produce a trace on the probe or to on-chip memory, when trace information is sent on the PDtrace™ interface. The main switch for this is the *TCBCONTROLB_{EN}* bit. When set, the TCB will send trace information to either on-chip trace memory or to the Trace Probe, controlled by the setting of the *TCBCONTROLB_{OfC}* bit.

The TCB can optionally include trigger logic, which can control the *TCBCONTROLB_{EN}* bit. Please see [Section 11.11, "TCB Trigger logic"](#) for details.

11.10.5 Tracing a reset exception

Tracing a reset exception is possible. However, the *TraceControl_{TS}* bit is reset to 0 at core reset, so all the trace control must be from the TCB (using *TCBCONTROLA* and *TCBCONTROLB*). The PDtrace fifo and the entire TCB are reset based on an EJTAG reset. It is thus possible to set up the trace modes, etc., using the TAP controller, and then reset the processor core.

11.11 TCB Trigger logic

The TCB is optionally implemented with trigger unit. If this is the case, then the `TCBCONFIGTRIG` field is non-zero. This section will explain some of the issues around triggers in the TCB.

11.11.1 Trigger units overview

TCB trigger logic features three main parts:

1. A common Trigger Source detection unit.
2. 1 to 8 separate Trigger Control units.
3. A common Trigger Action unit.

Figure 11-7 show the functional overview of the trigger flow in the TCB.

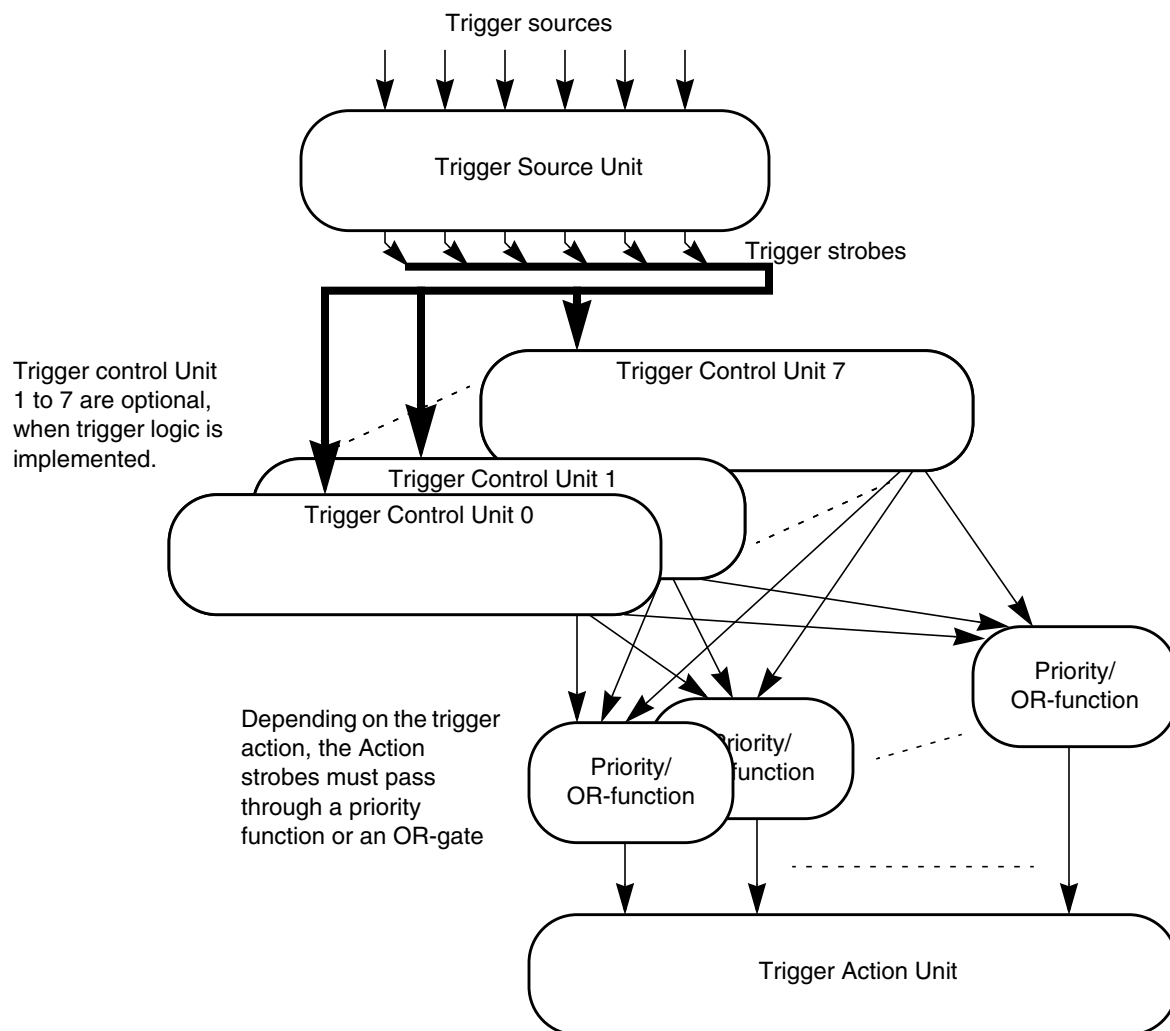


Figure 11-7 TCB Trigger processing overview

11.11.2 Trigger Source Unit

The TCB has three trigger sources:

1. Chip-level trigger input (*TC_ChipTrigIn*).
2. Probe trigger input (*TR_TRIGIN*).
3. Debug Mode (DM) entry indication from the processor core.

The input triggers are all rising-edge triggers, and the Trigger Source Units convert the edge into a single cycle strobe to the Trigger Control Units.

11.11.3 Trigger Control Units

Up to eight Trigger Control Units are possible. Each of them has its own Trigger Control Register (*TCBTRIG_x*, $x \in \{0..7\}$). Each of these registers controls the trigger fire mechanism for the unit. Each unit has all of the Trigger Sources as possible trigger event and they can fire one or more of the Trigger Actions. This is all defined in the Trigger Control register *TCBTRIG_x* (see Section 11.9.10, "TCBTRIG_x Register (Reg 16-23)" on page 282).

11.11.4 Trigger Action Unit

The TCB has four possible trigger actions:

1. Chip-level trigger output (*TC_ChipTrigOut*).
2. Probe trigger output (*TR_TRIGOUT*).
3. Trace information. Put a programmable byte into the trace stream from the TCB.
4. Start, End or About (delayed end) control of the *TCBCONTROLB_{EN}* bit.

The basic function of the trigger actions is explained in Section 11.9.10, "TCBTRIG_x Register (Reg 16-23)" on page 282. Please also read the next Section 11.11.5, "Simultaneous triggers".

11.11.5 Simultaneous triggers

Two or more triggers can fire simultaneously. The resulting behavior depends on trigger action set for each of them, and whether they should produce a TF6 trace information output or not. There are two groups of trigger actions: Prioritized and OR'ed.

11.11.5.1 Prioritized trigger actions

For prioritized simultaneous trigger actions, the trigger control unit which has the lowest number takes precedence over the higher numbered units. The x in *TCBTRIG_x* registers defines the number. The oldest trigger takes precedence over everything.

The following trigger actions are prioritized when two or more units fire simultaneously:

- Trigger Start, End and About type triggers (*TCBTRIG_xType* field set to 00, 01 or 10), which will assert/de-assert the *TCBCONTROLB_{EN}* bit. The About trigger is delayed and will always change *TCBCONTROLB_{EN}* because it is the oldest trigger when it de-asserts *TCBCONTROLB_{EN}*. An About trigger will not start the countdown if an even older About trigger is using the Trace Word counter.
- Triggers which produce TF6 trace information in the trace flow (Trace bit is set).

Regardless of priority, the *TCBTRIG_xTR* bit is set when the trigger fires. This is so even if a trigger action is suppressed by a higher priority trigger action. If the trigger is set to only fire once (the *TCBTRIG_xFO* bit is set), then the suppressed trigger action will not happen until after *TCBTRIG_xTR* is written 0.

If a Trigger action is suppressed by a higher priority trigger, then the read value, when the $TCBTRIGx_{TR}$ bit is set, for the $TCBTRIGx_{Trace}$ field will be 0 for suppressed TF6 trace information actions. The read value in the $TCBTRIGx_{Type}$ field for suppressed Start/End/About triggers will be 11. This indication of a suppressed action is sticky. If any of the two actions (Trace and Type) are ever suppressed for a multi-fire trigger (the $TCBTRIGx_{FO}$ bit is zero), then the read values in Trace and/or Type are set to indicate any suppressed action.

About trigger

The About triggers delayed de-assertion of the $TCBCONTROLB_{EN}$ bit is always executed, regardless of priority from another Start trigger at the time of the $TCBCONTROLB_{EN}$ change. This means that if a simultaneous About trigger action on the $TCBCONTROLB_{EN}$ bit ($n/2$ Trace Words after the trigger) and a Start trigger hit the same cycle, then the About trigger wins, regardless of which trigger number it is. The oldest trigger takes precedence.

However, if an About trigger has started the count down from $n/2$, but not yet reached zero, then a new About trigger, will NOT be executed. Only one About trigger can have the cycle counter. This second About trigger will store 11 in the $TCBTRIGx_{Type}$ field. But, if the $TCBTRIGx_{Trace}$ bit is set, a TF6 trace information will still go in the trace.

11.11.5.2 OR'ed trigger actions

The simple trigger actions $CHTro$ and $PDTrO$ from each trigger unit, are effectively OR'ed together to produce the final trigger. One or more expected trigger strobes on i.e. $TC_ChipTrigOut$ can thus disappear. External logic should not rely on counting of strobes, to predict a specific event, unless simultaneous triggers are known not to occur.

11.12 MIPS Trace cycle-by-cycle behavior

A key reason for using trace, and not single stepping to debug a software problem, is often to get a picture of the real-time behavior. However the trace logic itself can, when enabled, affect the exact cycle-by-cycle behavior,

11.12.1 Fifo logic in PDtrace and TCB modules

Both the PDtrace module and the TCB module contain a fifo. This might seem like extra overhead, but there are good reasons for this. The vast majority of the information compression happens in the PDtrace module. Any data information, like PC and load/store address values (delta or full), load/store data and processor mode changes, are all sent on the same 32-bit data bus to the TCB on the internal PDtrace™ interface. When an instruction requires more than 32 bits of information to be traced properly, the PDtrace fifo will buffer the information, and send it on subsequent clock cycles.

In the TCB, the on-chip trace memory is defined as a 64-bit wide synchronous memory running at core-clock speed. In this case the fifo is not needed. For off-chip trace through the Trace Probe, the fifo comes into play, because only a limited number of pins (4, 8 or 16) exist. Also the speed of the Trace Probe interface can be different (either faster or slower) from that of the 24KE core. So for off-chip tracing, a specific TCB TW fifo is needed.

11.12.2 Handling of Fifo overflow in the PDtrace module

Depending on the amount of trace information selected for trace, and the frequency with which the 32-bit data interface is needed, it is possible for the PDtrace fifo overflow from time to time. There are two ways to handle this case:

1. Allow the overflow to happen, and thereby lose some information from the trace data.
2. Prevent the overflow by back-stalling the core, until the fifo has enough empty slots to accept new trace data.

The PDtrace fifo option is controlled by either the $TraceControl_{IO}$ or the $TCBCONTROLA_{IO}$ bit, depending on the setting of $TraceControl_{TS}$ bit.

The first option is free of any cycle-by-cycle change whether trace is turned on or not. This is achieved at the cost of potentially losing trace information. After an overflow, the fifo is completely emptied, and the next instruction is traced as if it was the start of the trace (processor mode and full PC are traced). This guarantees that only the un-traced fifo information is lost.

The second option guarantees that all the trace information is traced to the TCB. In some cases this is then achieved by back-stalling the core pipeline, giving the PDtrace fifo time to empty enough room in the fifo to accept new trace information from a new instruction. This option can obviously change the real-time behavior of the core when tracing is turned on.

If PC trace information is the only thing enabled (in *TraceControl2*_{MODE} or *TCBCONTROL*_C_{MODE}, depending on the setting of *TraceControl*_{TS}), and Trace of all branches is turned off (via *TraceControl*_{TB} or *TCBCONTROL*_A_{TB}, depending on the setting of *TraceControl*_{TS}), then the fifo is unlikely to overflow very often, if at all. This is of course very dependent on the code executed, and the frequency of exception handler jumps, but with this setting there is very little information overhead.

11.12.3 Handling of Fifo overflow in the TCB

The TCB also holds a fifo, used to buffer the TW's which are sent off-chip through the Trace Probe. The data width of the probe can be either 4, 8 or 16 pins, and the speed of these data pins can be from 16 times the core-clock to 1/4 of the core clock (the trace probe clock always runs at a double data rate multiple to the core-clock). See [Section 11.12.3.1, "Probe width and Clock-ratio settings"](#) for a description of probe width and clock-ratio options. The combination between the probe width (4, 8 or 16) and the data speed, allows for data rates through the trace probe from 256 bits per core-clock cycle down to only 1 bit per core-clock cycle. The high extreme is not likely to be supported in any implementation, but the low one might be.

The data rate is an important figure when the likelihood of a TCB fifo overflow is considered. The TCB will at maximum produce one full 64-bit TW per core-clock cycle. This is true for any selection of trace mode in *TraceControl2*_{MODE} or *TCBCONTROL*_C_{MODE}. The PDtrace module will guarantee the limited amount of data. If the TCB data rate cannot be matched by the off-chip probe width and data speed, then the TCB fifo can possibly overflow. There is only one way to handle this:

1. Prevent the overflow by asserting a stall-signal back to the core (*PDI_StallSending*). This will in turn stall the core pipeline.

There is no way to guarantee that this back-stall from the TCB is never asserted, unless the effective data rate of the Trace Probe interface is at least 64-bits per core-clock cycle.

As a practical matter, the amount of data to the TCB can be minimized by only tracing PC information and excluding any cycle accurate information. This is explained in [Section 11.12.2, "Handling of Fifo overflow in the PDtrace module"](#) and below in [Section 11.12.4, "Adding cycle accurate information to the trace"](#). With this setting, a data rate of 8-bits per core-clock cycle is usually sufficient. No guarantees can be given here, however, as heavy interrupt activity can increase the number of unpredictable jumps considerably.

11.12.3.1 Probe width and Clock-ratio settings

The actual number of data pins (4, 8 or 16) is defined by the *TCBCONFIG*_{PW} field. Furthermore, the frequency of the Trace Probe can be different from the core-clock frequency. The trace clock (*TR_CLK*) is a double data rate clock. This means that the data pins (*TR_DATA*) change their value on both edges of the trace clock. When the trace clock is running at clock ratio of 1:2 (one half) of core clock, the data output registers are running a core-clock frequency. The clock ratio is set in the *TCBCONTROL*_B_{CR} field. The legal range for the clock ratio is defined in *TCBCONFIG*_{CR}_{Max} and *TCBCONFIG*_{CR}_{Min} (both values inclusive). If *TCBCONTROL*_B_{CR} is set to an unsupported value, the result is UNPREDICABLE. The maximum possible value for *TCBCONFIG*_{CR}_{Max} is 8:1 (*TR_CLK* is running 8 times faster than

core-clock). The minimum possible value for $TCBCONFIG_{CRMin}$ is 1:8 (TR_CLK is running at one eighth of the core-clock). See [Table 11-33 on page 277](#) for a description of the encoding of the clock ratio fields.

11.12.4 Adding cycle accurate information to the trace

Depending on the trace regeneration software, it is possible to obtain the exact cycle time relationship between each instruction in the trace. This information is added to the trace, when the $TCBCONTROLB_{CA}$ bit is set. The overhead on the trace information is a little more than one extra bit per core-clock cycle.

This setting only affects the TCB module and not the PDtrace module. The extra bit therefore only affects the likelihood of the TCB fifo overflowing.

11.13 TCB On-Chip Trace Memory

When on-chip trace memory is available ($TCBCONFIG_{OnT}$ is set) the memory is typically of smaller size than if it were external in a trace probe. The assumption is that it is of some value to trace a smaller piece of the program.

With on-chip trace memory, the TCB can work in three possible modes:

1. Trace-From mode.
2. Trace-To mode.
3. Under Trigger unit control.

Software can select this mode using the $TCBCONTROLB_{TM}$ field. If one or more trigger control registers ($TCBTRIGx$) are implemented, and they are using Start, End or About triggers, then the trace mode in $TCBCONTROLB_{TM}$ should be set to Trace-To mode.

11.13.1 On-Chip Trace Memory size

The supported On-chip trace memory size can range from 256 byte to 8Mbytes, in powers of 2. The actual size is shown in the $TCBCONFIG_{SZ}$ field.

11.13.2 Trace-From Mode

In the Trace-From mode, tracing begins when the processor enters into a processor mode/ASID value which is defined to be traced or when an EJTAG hardware breakpoint trace trigger turns on tracing. Trace collection is stopped when the buffer is full. The TCB then signals buffer full using $TCBCONTROLB_{BF}$. When external software polling this register finds the $TCBCONTROLB_{BF}$ bit set, it can then read out the internal trace memory. Saving the trace into the internal buffer will re-commence again only when the $TCBCONTROLB_{BF}$ bit is reset and if the core is sending valid trace data (i.e., $PDO_IamTracing$ not equal 0).

11.13.3 Trace-To Mode

In the Trace-To mode, the TCB keeps writing into the internal trace memory, wrapping over and overwriting the oldest information, until the processor is reaches an end of trace condition. End of trace is reached by leaving the processor mode/ASID value which is traced, or when an EJTAG hardware breakpoint trace trigger turns tracing off. At this point, the on-chip trace buffer is then dumped out in a manner similar to that described above in [Section 11.13.2, "Trace-From Mode"](#).

Instruction Set Overview

This chapter provides a general overview on the three CPU instruction set formats of the MIPS architecture: Immediate, Jump, and Register. Refer to [Chapter 13, “24KE™ Processor Core Instructions,”](#) for a complete listing and description of instructions.

This chapter discusses the following topics

- [Section 12.1, "CPU Instruction Formats" on page 293](#)
- [Section 12.2, "Load and Store Instructions" on page 294](#)
- [Section 12.3, "Computational Instructions" on page 296](#)
- [Section 12.4, "Jump and Branch Instructions" on page 297](#)
- [Section 12.5, "Control Instructions" on page 298](#)
- [Section 12.6, "Coprocessor Instructions" on page 298](#)

12.1 CPU Instruction Formats

Each CPU instruction consists of a single 32-bit word, aligned on a word boundary. There are three instruction formats immediate (I-type), jump (J-type), and register (R-type)—as shown in [Figure 12-1 on page 294](#). The use of a small number of instruction formats simplifies instruction decoding, allowing the compiler to synthesize more complicated (and less frequently used) operations and addressing modes from these three formats as needed.

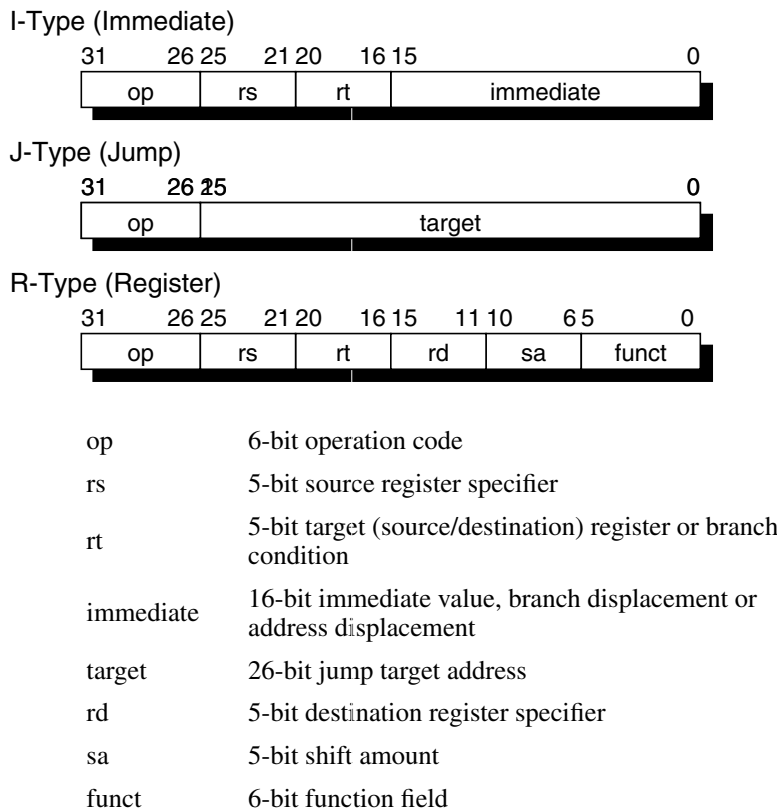


Figure 12-1 Instruction Formats

12.2 Load and Store Instructions

Load and store instructions are immediate (I-type) instructions that move data between memory and the general registers. The only addressing mode that integer load and store instructions directly support is *base register plus 16-bit signed immediate offset*. Floating point load and store instructions can use either that addressing mode or *register plus register indexed* addressing.

12.2.1 Scheduling a Load Delay Slot

A load instruction that does not allow its result to be used by the instruction immediately following is called a *delayed load instruction*. The instruction slot immediately following this delayed load instruction is referred to as the *load delay slot*.

In a 24KE core, the instruction immediately following a load instruction can use the contents of the loaded register; however in such cases hardware interlocks insert additional real cycles. Although not required, the scheduling of load delay slots can be desirable, both for performance and R-Series processor compatibility.

12.2.2 Defining Access Types

Access type indicates the size of a core data item to be loaded or stored, set by the load or store instruction opcode.

Regardless of access type or byte ordering (endianness), the address given specifies the low-order byte in the addressed field. For a big-endian configuration, the low-order byte is the most-significant byte; for a little-endian configuration, the low-order byte is the least-significant byte.

The access type, together with the three low-order bits of the address, define the bytes accessed within the addressed word as shown in Table 12-1. Only the combinations shown in Table 12-1 are permissible; other combinations cause address error exceptions.

Instruction fetches are either halfword accesses (MIPS16e™ code) or word accesses (32b code). These references will be impacted by endianness the same as load/store references of those sizes.

Table 12-1 Byte Access Within a Doubleword

Access Type	Low-Order Address Bits			Bytes Accessed															
				Big Endian (63-----31-----0)								Little Endian (63-----31-----0)							
	2	1	0	Byte								Byte							
Doubleword	0	0	0	0	1	2	3	4	5	6	7	7	6	5	4	3	2	1	0
Word	0	0	0	0	1	2	3									3	2	1	0
	1	0	0					4	5	6	7	7	6	5	4				
Triplebyte	0	0	0	0	1	2											2	1	0
	0	0	1		1	2	3									3	2	1	
	1	0	0					4	5	6			6	5	4				
	1	0	1						5	6	7	7	6	5					
Halfword	0	0	0	0	1													1	0
	0	1	0			2	3									3	2		
	1	0	0					4	5					5	4				
	1	1	0							6	7	7	6						
Byte	0	0	0	0															0
	0	0	1		1													1	
	0	1	0			2											2		
	0	1	1				3								3				
	1	0	0					4							4				
	1	0	1						5					5					
	1	1	0							6			6						
	1	1	1								7	7							

12.3 Computational Instructions

Computational instructions can be either in register (R-type) format, in which both operands are registers, or in immediate (I-type) format, in which one operand is a 16-bit immediate.

Computational instructions perform the following operations on register values:

- Arithmetic
- Logical
- Shift
- Count Leading Zeros/Ones
- Multiply
- Divide

These operations fit in the following four categories of computational instructions:

- ALU Immediate instructions
- Three-operand Register-type Instructions
- Shift Instructions
- Multiply And Divide Instructions

12.3.1 Cycle Timing for Multiply and Divide Instructions

Any multiply instruction in the integer pipeline is transferred to the multiplier as remaining instructions continue through the pipeline; the product of the multiply instruction is saved in the HI and LO registers. If the multiply instruction is followed by an MFHI or MFLO before the product is available, the pipeline interlocks until this product does become available. Refer to [Chapter 2, “Pipeline of the 24KE™ Core,” on page 13](#) for more information on instruction latency and repeat rates.

12.4 Jump and Branch Instructions

Jump and branch instructions change the control flow of a program. All jump and branch instructions occur with a delay of one instruction: that is, the instruction immediately following the jump or branch (this is known as the instruction in the *delay slot*) always executes while the target instruction is being fetched from storage.

12.4.1 Overview of Jump Instructions

Subroutine calls in high-level languages are usually implemented with Jump or Jump and Link instructions, both of which are J-type instructions. In J-type format, the 26-bit target address shifts left 2 bits and combines with the high-order 4 bits of the current program counter to form an absolute address.

Returns, dispatches, and large cross-page jumps are usually implemented with the Jump Register or Jump and Link Register instructions. Both are R-type instructions that take the 32-bit byte address contained in one of the general purpose registers.

For more information about jump instructions, refer to the individual instructions in MIPS32 Architecture Reference Manual, Volume II: The MIPS32 Instruction Set.

12.4.2 Overview of Branch Instructions

All branch instruction target addresses are computed by adding the address of the instruction in the delay slot to the 16-bit *offset* (shifted left 2 bits and sign-extended to 32 bits). All branches occur with a delay of one instruction.

If a conditional branch likely is not taken, the instruction in the delay slot is nullified.

Branches, jumps, ERET, and DERET instructions should not be placed in the delay slot of a branch or jump.

12.5 Control Instructions

Control instructions allow the software to initiate traps; they are always R-type.

12.6 Coprocessor Instructions

CP0 instructions perform operations on the System Control Coprocessor registers to manipulate the memory management and exception handling facilities of the processor. Refer to [Chapter 13, “24KE™ Processor Core Instructions,”](#) on page 299 for a listing of CP0 instructions.

24KE™ Processor Core Instructions

This chapter supplements the MIPS32 Architecture Reference Manual by describing instruction behavior that is specific to a 24KE™ processor core. The chapter is divided into the following sections:

- Section 13.1, "Understanding the Instruction Descriptions" on page 299
- Section 13.2, "24KE™ Opcode Map" on page 299
- Section 13.4, "MIPS32™ Instruction Set for the 24KE™ Core" on page 304

The 24KE processor core also supports the MIPS16e ASE to the MIPS32 architecture. The MIPS16e ASE instruction set is described in Chapter 14, “,” on page 341.

13.1 Understanding the Instruction Descriptions

Refer to Volume II of the MIPS32 Architecture Reference Manual for more information about the instruction descriptions. There is a description of the instruction fields, definition of terms, and a description function notation available in that document.

13.2 24KE™ Opcode Map

Table 13-1 Symbols Used in the Instruction Encoding Tables

Symbol	Meaning
*	Operation or field codes marked with this symbol are reserved for future use, are valid encodings for a higher-order MIPS ISA level, or are part of an application specific extension not implemented on this core. Executing such an instruction will cause a Reserved Instruction Exception.
δ	(Also <i>italic</i> field name.) Operation or field codes marked with this symbol denotes a field class. The instruction word must be further decoded by examining additional tables that show values for another instruction field.
∇	Operation or field codes marked with this symbol represent instructions which are only legal if 64-bit floating point operations are enabled. In other cases, executing such an instruction will cause a Reserved Instruction Exception (non-coprocessor encodings or coprocessor instruction encodings for a coprocessor to which access is allowed) or a Coprocessor Unusable Exception (coprocessor instruction encodings for a coprocessor to which access is not allowed).
ϕ	Operation or field codes marked with this symbol are obsolete and will be removed from a future revision of the MIPS32 ISA. Software should avoid using these operation or field codes.

Table 13-2 MIPS32 Encoding of the Opcode Field

opcode		bits 28..26							
		0	1	2	3	4	5	6	7
bits 31..29		000	001	010	011	100	101	110	111
0	000	<i>SPECIAL</i> δ	<i>REGIMM</i> δ	J	JAL	BEQ	BNE	BLEZ	BGTZ
1	001	ADDI	ADDIU	SLTI	SLTIU	ANDI	ORI	XORI	LUI
2	010	<i>COP0</i> δ	<i>COP1</i> δ	<i>COP2</i> δ	<i>COPIX</i>	BEQL φ	BNEL φ	BLEZL φ	BGTZL φ
3	011	*	*	*	*	<i>SPECIAL2</i> δ	JALX	*	<i>SPECIAL3</i> δ
4	100	LB	LH	LWL	LW	LBU	LHU	LWR	*
5	101	SB	SH	SWL	SW	*	*	SWR	CACHE
6	110	LL	LWC1	LWC2	PREF	*	LDC1	LDC2	*
7	111	SC	SWC1	SWC2	*	*	SDC1	SDC2	*

Table 13-3 MIPS32 *SPECIAL* Opcode Encoding of Function Field

function		bits 2..0							
		0	1	2	3	4	5	6	7
bits 5..3		000	001	010	011	100	101	110	111
0	000	SLL ¹	<i>MOVCI</i> δ	<i>SRL</i> δ	SRA	SLLV	*	<i>SRLV</i> δ	SRAV
1	001	JR ²	JALR ²	MOVZ	MOVN	SYSCALL	BREAK	*	SYNC
2	010	MFHI	MTHI	MFLO	MTLO	*	*	*	*
3	011	MULT	MULTU	DIV	DIVU	*	*	*	*
4	100	ADD	ADDU	SUB	SUBU	AND	OR	XOR	NOR
5	101	*	*	SLT	SLTU	*	*	*	*
6	110	TGE	TGEU	TLT	TLTU	TEQ	*	TNE	*
7	111	*	*	*	*	*	*	*	*

1. Specific encodings of the *rt*, *rd*, and *sa* fields are used to distinguish among the SLL, NOP, SSNOP and EHB functions.
2. Specific encodings of the hint field are used to distinguish JR from JR.HB and JALR from JALR.HB

Table 13-4 MIPS32 *REGIMM* Encoding of *rt* Field

rt		bits 18..16							
		0	1	2	3	4	5	6	7
bits 20..19		000	001	010	011	100	101	110	111
0	00	BLTZ	BGEZ	BLTZL φ	BGEZL φ	*	*	*	*
1	01	TGEI	TGEIU	TLTI	TLTIU	TEQI	*	TNEI	*
2	10	BLTZAL	BGEZAL	BLTZALL φ	BGEZALL φ	*	*	*	*
3	11	*	*	*	*	*	*	*	SYNCI

Table 13-5 MIPS32 *SPECIAL2* Encoding of Function Field

function		bits 2..0							
		0	1	2	3	4	5	6	7
bits 5..3		000	001	010	011	100	101	110	111
0	000	MADD	MADDU	MUL	*	MSUB	MSUBU	*	*
1	001	*	*	*	*	*	*	*	*
2	010	CorExtend							
3	011								
4	100	CLZ	CLO	*	*	*	*	*	*
5	101	*	*	*	*	*	*	*	*
6	110	*	*	*	*	*	*	*	*
7	111	*	*	*	*	*	*	*	SDBBP

Table 13-6 MIPS32 *Special3* Encoding of Function Field for Release 2 of the Architecture

function		bits 2..0							
		0	1	2	3	4	5	6	7
bits 5..3		000	001	010	011	100	101	110	111
0	000	EXT	*	*	*	INS	*	*	*
1	001	*	*	*	*	*	*	*	*
2	010	*	*	*	*	*	*	*	*
3	011	*	*	*	*	*	*	*	*
4	100	<i>BSHFL</i> δ	*	*	*	*	*	*	*
5	101	*	*	*	*	*	*	*	*
6	110	*	*	*	*	*	*	*	*
7	111	*	*	*	RDHWR	*	*	*	*

Table 13-7 MIPS32 *MOVCI* Encoding of tf Bit

tf	bit 16	
	0	1
	MOVF	MOVT

Table 13-8 MIPS32 *SRL* Encoding of Shift/Rotate

tf	bit 21	
	0	1
	SRL	ROTR

Table 13-9 MIPS32 *SRLV* Encoding of Shift/Rotate

tf	bit 6	
	0	1
	SRLV	ROTRV

Table 13-10 MIPS32 *BSHFL* Encoding of sa Field¹

sa		bits 8..6							
		0	1	2	3	4	5	6	7
bits 10..9		000	001	010	011	100	101	110	111
0	00			WSBH					
1	01								
2	10	SEB							
3	11	SEH							

1. The sa field is sparsely decoded to identify the final instructions. Entries in this table with no mnemonic are reserved for future use by MIPS Technologies and may or may not cause a Reserved Instruction exception.

Table 13-11 MIPS32 *COP0* Encoding of rs Field

rs		bits 23..21							
		0	1	2	3	4	5	6	7
bits 25..24		000	001	010	011	100	101	110	111
0	00	MFC0	*	*	*	MTC0	*	*	*
1	01	*	*	RDPGPR	<i>MFMC0</i> ¹ δ	*	*	WRPGPR	*
2	10	C0 δ							
3	11								

1. Release 2 of the Architecture added the MFMC0 function, which is further decoded as the DI and EI instructions.

Table 13-12 MIPS32COP0 Encoding of Function Field When rs=CO

function		bits 2..0							
bits 5..3		0	1	2	3	4	5	6	7
0	000	*	TLBR	TLBWI	*	*	*	TLBWR	*
1	001	TLBP	*	*	*	*	*	*	*
2	010	*	*	*	*	*	*	*	*
3	011	ERET	*	*	*	*	*	*	DERET
4	100	WAIT	*	*	*	*	*	*	*
5	101	*	*	*	*	*	*	*	*
6	110	*	*	*	*	*	*	*	*
7	111	*	*	*	*	*	*	*	*

Table 13-13 MIPS32 COP1 Encoding of rs Field

rs		bits 23..21							
bits 25..24		0	1	2	3	4	5	6	7
0	00	MFC1	*	CFC1	MFHC1	MTC1	*	CTC1	MTHC1
1	01	$BCI \delta$	*	*	*	*	*	*	*
2	10	$S \delta$	$D \delta$	*	*	$W \delta$	$L \delta$	*	*
3	11	*	*	*	*	*	*	*	*

Table 13-14 MIPS32 COP1 Encoding of Function Field When rs=S

function		bits 2..0							
bits 5..3		0	1	2	3	4	5	6	7
0	000	ADD	SUB	MUL	DIV	SQRT	ABS	MOV	NEG
1	001	ROUND.L ∇	TRUNC.L ∇	CEIL.L ∇	FLOOR.L ∇	ROUND.W	TRUNC.W	CEIL.W	FLOOR.W
2	010	*	MOVCF δ	MOVZ	MOVN	*	RECIP ∇	RSQRT ∇	*
3	011	*	*	*	*	*	*	*	*
4	100	*	CVT.D	*	*	CVT.W	CVT.L ∇	*	*
5	101	*	*	*	*	*	*	*	*
6	110	*	*	*	*	*	*	*	*
7	111	*	*	*	*	*	*	*	*

Table 13-15 MIPS32 COP1 Encoding of Function Field When rs=D

function		bits 2..0							
bits 5..3		0	1	2	3	4	5	6	7
0	000	ADD	SUB	MUL	DIV	SQRT	ABS	MOV	NEG
1	001	ROUND.L ∇	TRUNC.L ∇	CEIL.L ∇	FLOOR.L ∇	ROUND.W	TRUNC.W	CEIL.W	FLOOR.W
2	010	*	MOVCF δ	MOVZ	MOVN	*	RECIP ∇	RSQRT ∇	*
3	011	*	*	*	*	*	*	*	*
4	100	CVT.S	*	*	*	CVT.W	CVT.L ∇	*	*
5	101	*	*	*	*	*	*	*	*
6	110	*	*	*	*	*	*	*	*
7	111	*	*	*	*	*	*	*	*

Table 13-16 MIPS32 COPI Encoding of Function Field When rs=W or L¹

function		bits 2..0							
		0	1	2	3	4	5	6	7
bits 5..3		000	001	010	011	100	101	110	111
0	000	*	*	*	*	*	*	*	*
1	001	*	*	*	*	*	*	*	*
2	010	*	*	*	*	*	*	*	*
3	011	*	*	*	*	*	*	*	*
4	100	CVT.S	CVT.D	*	*	*	*	*	*
5	101	*	*	*	*	*	*	*	*
6	110	*	*	*	*	*	*	*	*
7	111	*	*	*	*	*	*	*	*

1. Format type L is legal only if 64-bit floating point operations are enabled.

Table 13-17 MIPS32 COPI Encoding of tf Bit When rs=S or D, Function=MOVCF

tf	bit 16	
	0	1
	MOVf.fmt	MOVT.fmt

Table 13-18 MIPS64 COPIX Encoding of Function Field¹

function		bits 2..0							
		0	1	2	3	4	5	6	7
bits 5..3		000	001	010	011	100	101	110	111
0	000	LWXC1 ∇	LDXC1 ∇	*	*	*	LUXC1 ∇	*	*
1	001	SWXC1 ∇	SDXC1 ∇	*	*	*	SUXC1 ∇	*	PREFX ∇
2	010	*	*	*	*	*	*	*	*
3	011	*	*	*	*	*	*	*	*
4	100	MADD.S ∇	MADD.D ∇	*	*	*	*	*	*
5	101	MSUB.S ∇	MSUB.D ∇	*	*	*	*	*	*
6	110	NMADD.S ∇	NMADD.D ∇	*	*	*	*	*	*
7	111	NMSUB.S ∇	NMSUB.D ∇	*	*	*	*	*	*

1. COPIX instructions are legal only if 64-bit floating point operations are enabled.

Table 13-19 MIPS32 COP2 Encoding of rs Field

rs		bits 23..21							
		0	1	2	3	4	5	6	7
bits 25..24		000	001	010	011	100	101	110	111
0	00	MFC2	*	CFC2	MFHC2	MTC2	*	CTC2	MTHC2
1	01	BC2δ	*	*	*	*	*	*	*
2	10	C2							
3	11								

13.3 Floating Point Unit Instruction Format Encodings

Instruction format encodings for the floating point unit are presented in this section. This information is a tabular presentation of the encodings described in tables [Table 13-13](#) and [Table 13-18](#) above.

Table 13-20 Floating Point Unit Instruction Format Encodings

<i>fmt</i> field (bits 25..21 of COP1 opcode)		<i>fmt3</i> field (bits 2..0 of COP1X opcode)		Mnemonic	Name	Bit Width	Data Type
Decimal	Hex	Decimal	Hex				
0..15	00..0F	—	—	Used to encode Coprocessor 1 interface instructions (MFC1, CTC1, etc.). Not used for format encoding.			
16	10	0	0	S	Single	32	Floating Point
17	11	1	1	D	Double	64	Floating Point
18..19	12..13	2..3	2..3	Reserved for future use by the architecture.			
20	14	4	4	W	Word	32	Fixed Point
21	15	5	5	L	Long	64	Fixed Point
22	16	6	6	PS	Paired Single	2 × 32	Floating Point
23	17	7	7	Reserved for future use by the architecture.			
24..31	18..1F	—	—	Reserved for future use by the architecture. Not available for <i>fmt3</i> encoding.			

13.4 MIPS32™ Instruction Set for the 24KE™ Core

This section describes the MIPS32 instructions for the 24KE cores. [Table 13-21](#) lists the instructions in alphabetical order. Instructions that have implementation dependent behavior are described afterwards. The descriptions for other instructions exist in the architecture reference manual and are not duplicated here.

Table 13-21 24KE™ Core Instruction Set

Instruction	Description	Function
ABS.fmt	Floating Point Absolute Value fmt = s,d	$Fd = \text{abs}(Fs)$
ADD	Integer Add	$Rd = Rs + Rt$
ADD.fmt	Floating Point Add fmt = s,d	$Fd = Fs + Ft$
ADDI	Integer Add Immediate	$Rt = Rs + \text{Immed}$
ADDIU	Unsigned Integer Add Immediate	$Rt = Rs +_u \text{Immed}$
ADDIUPC	Unsigned Integer Add Immediate to PC (MIPS16 only)	$Rt = PC +_u \text{Immed}$
ADDU	Unsigned Integer Add	$Rd = Rs +_u Rt$
AND	Logical AND	$Rd = Rs \& Rt$
ANDI	Logical AND Immediate	$Rt = Rs \& (0_{16} \text{Immed})$

Table 13-21 24KE™ Core Instruction Set (Continued)

Instruction	Description	Function
B	Unconditional Branch (Assembler idiom for: BEQ r0, r0, offset)	PC += (int)offset
BAL	Branch and Link (Assembler idiom for: BGEZAL r0, offset)	GPR[31] = PC + 8 PC += (int)offset
BC1F	Branch On Floating Point False	if (cc[i] == 0) then PC += (int)offset
BC1FL	Branch On Floating Point False Likely	if (cc[i] == 0) then PC += (int)offset else Ignore Next Instruction
BC1T	Branch On Floating Point True	if(cc[i] == 1) then PC += (int)offset
BC1TL	Branch On Floating Point True Likely	if (cc[i] == 1) then PC += (int)offset else Ignore Next Instruction
BC2F	Branch On Cp2 False	if (cc[i] == 0) then PC += (int)offset
BC2FL	Branch On Cp2 False Likely	if (cc[i] == 0) then PC += (int)offset else Ignore Next Instruction
BC2T	Branch On Cp2 True	if(cc[i] == 1) then PC += (int)offset
BC2TL	Branch On Cp2 True Likely	if (cc[i] == 1) then PC += (int)offset else Ignore Next Instruction
BEQ	Branch On Equal	if Rs == Rt PC += (int)offset
BEQL	Branch On Equal Likely	if Rs == Rt PC += (int)offset else Ignore Next Instruction
BGEZ	Branch on Greater Than or Equal To Zero	if !Rs[31] PC += (int)offset
BGEZAL	Branch on Greater Than or Equal To Zero And Link	GPR[31] = PC + 8 if !Rs[31] PC += (int)offset
BGEZALL	Branch on Greater Than or Equal To Zero And Link Likely	GPR[31] = PC + 8 if !Rs[31] PC += (int)offset else Ignore Next Instruction
BGEZL	Branch on Greater Than or Equal To Zero Likely	if !Rs[31] PC += (int)offset else Ignore Next Instruction

Table 13-21 24KE™ Core Instruction Set (Continued)

Instruction	Description	Function
BGTZ	Branch on Greater Than Zero	if !Rs[31] && Rs != 0 PC += (int)offset
BGTZL	Branch on Greater Than Zero Likely	if !Rs[31] && Rs != 0 PC += (int)offset else Ignore Next Instruction
BLEZ	Branch on Less Than or Equal to Zero	if Rs[31] Rs == 0 PC += (int)offset
BLEZL	Branch on Less Than or Equal to Zero Likely	if Rs[31] Rs == 0 PC += (int)offset else Ignore Next Instruction
BLTZ	Branch on Less Than Zero	if Rs[31] PC += (int)offset
BLTZAL	Branch on Less Than Zero And Link	GPR[31] = PC + 8 if Rs[31] PC += (int)offset
BLTZALL	Branch on Less Than Zero And Link Likely	GPR[31] = PC + 8 if Rs[31] PC += (int)offset else Ignore Next Instruction
BLTZL	Branch on Less Than Zero Likely	if Rs[31] PC += (int)offset else Ignore Next Instruction
BNE	Branch on Not Equal	if Rs != Rt PC += (int)offset
BNEL	Branch on Not Equal Likely	if Rs != Rt PC += (int)offset else Ignore Next Instruction
BREAK	Breakpoint	Break Exception
C.cond.fmt	Floating Point Compare fmt = s,d	cc[i] = Fs compare_cond Ft
CACHE	Cache Operation	See Software User's Manual
CEIL.L.fmt	Floating Point Ceiling to Long Fixed Point	Fd = convert_and_round(Fs)
CEIL.W.fmt	Floating Point Ceiling to Word Fixed Point	Fd = convert_and_round(Fs)
CFC1	Move Control Word From Floating Point	Rt = FP_Control[Fs]
CFC2	Move Control Word From Cp2	Rt = CP2_Control[Fs]
CLO	Count Leading Ones	Rd = NumLeadingOnes(Rs)
CLZ	Count Leading Zeroes	Rd = NumLeadingZeroes(Rs)
COP0	Coprocessor 0 Operation	See Software User's Manual
COP2	Coprocessor 2 Operation	Implementation dependent

Table 13-21 24KE™ Core Instruction Set (Continued)

Instruction	Description	Function
CTC1	Move Control Word To Floating Point	$FP_Control[Fs] = Rt$
CTC2	Move Control Word to Cp2	$Cp2_Control[Fs] = Rt$
CVT.D.fmt	Floating Point Convert to Double Floating Point fmt = S,W,L	$Fd = convert_and_round(Fs)$
CVT.D.fmt	Floating Point Convert to Double Floating Point fmt = S,W,L	$Fd = convert_and_round(Fs)$
CVT.L.fmt	Floating Point Convert to Long Fixed Point fmt = S,D	$Fd = convert_and_round(Fs)$
CVT.S.fmt	Floating Point Convert to Single Floating Point fmt = W,D,L	$Fd = convert_and_round(Fs)$
CVT.W.fmt	Floating Point Convert to Word Fixed Point fmt = S,D	$Fd = convert_and_round(Fs)$
DERET	Return from Debug Exception	PC = DEPC Exit Debug Mode
DI	Atomically Disable Interrupts	$Rt = Status; Status_{IE} = 0$
DIV	Divide	LO = (int)Rs / (int)Rt HI = (int)Rs % (int)Rt
DIV.fmt	Floating Point Divide fmt = S,D	$Fd = Fs/Ft$
DIVU	Unsigned Divide	LO = (uns)Rs / (uns)Rt HI = (uns)Rs % (uns)Rt
EHB	Execution Hazard Barrier	Stop instruction execution until execution hazards are cleared
EI	Atomically Enable Interrupts	$Rt = Status; Status_{IE} = 1$
ERET	Return from Exception	if SR[2] PC = ErrorEPC else PC = EPC SR[1] = 0 SR[2] = 0 LL = 0
EXT	Extract Bit Field	$Rt = ExtractField(Rs, pos, size)$
FLOOR.L.fmt	Floating Point Floor to Long Fixed Point fmt = S,D	$Fd = convert_and_round(Fs)$
FLOOR.W.fmt	Floating Point Floor to Word Fixed Point fmt = S,D	$Fd = convert_and_round(Fs)$
INS	Insert Bit Field	$Rt = InsertField(Rs, Rt, pos, size)$
J	Unconditional Jump	$PC = PC[31:28] offset \ll 2$
JAL	Jump and Link	GPR[31] = PC + 8 $PC = PC[31:28] offset \ll 2$

Table 13-21 24KE™ Core Instruction Set (Continued)

Instruction	Description	Function
JALR	Jump and Link Register	Rd = PC + 8 PC = Rs
JALR.HB	Jump and Link Register with Hazard Barrier	Like JALR, but also clears execution and instruction hazards
JALRC	Jump and Link Register Compact - do not execute instruction in jump delay slot(MIPS16 only)	Rd = PC + 2 PC = Rs
JR	Jump Register	PC = Rs
JR.HB	Jump Register with Hazard Barrier	Like JR, but also clears execution and instruction hazards
JRC	Jump Register Compact - do not execute instruction in jump delay slot (MIPS16 only)	PC = Rs
LB	Load Byte	Rt = (byte)Mem[base+offset]
LBU	Unsigned Load Byte	Rt = (ubyte)Mem[base+offset]
LDC1	Load Doubleword to Floating Point	Ft = memory[base+offset]
LDC2	Load Doubleword to Cp2	Ft = memory[base+offset]
LDXC1	Load Doubleword Indexed to Floating Point	Fd = memory[base+index]
LH	Load Halfword	Rt = (half)Mem[base+offset]
LHU	Unsigned Load Halfword	Rt = (uhalf)Mem[base+offset]
LL	Load Linked Word	Rt = Mem[base+offset] LL = 1
LUI	Load Upper Immediate	Rt = immediate << 16
LUXC1	Load Doubleword Indexed Unaligned to Floating Point	Fd = memory[(base+index)psize-1. .3]
LW	Load Word	Rt = Mem[Rs+offset]
LWC1	Load Word to Floating Point	Ft = memory[base+offset]
LWC2	Load Word to Cp2	Ft = memory[base+offset]
LWPC	Load Word, PC relative	Rt = Mem[PC+offset]
LWXC1	Load Word Indexed to Floating Point	Fd = memory[base+index]
LWL	Load Word Left	See Architecture Reference Manual
LWR	Load Word Right	See Architecture Reference Manual
MADD	Multiply-Add	HI LO += (int)Rs * (int)Rt
MADD.fmt	Floating Point Multiply Add fmt = S,D	Fd = Fs * Ft + Fr
MADDU	Multiply-Add Unsigned	HI LO += (uns)Rs * (uns)Rt
MFC0	Move From Coprocessor 0	Rt = CPR[0, Rd, sel]

Table 13-21 24KE™ Core Instruction Set (Continued)

Instruction	Description	Function
MFC1	Move From FPR	$Rt = Fs_{31..0}$
MFC2	Move From Cp2 Register	$Rt = Fs_{31..0}$
MFHC1	Move From High Half of FPR	$Rt = Fs_{63..32}$
MFHC2	Move From High Half of Cp2 Register	$Rt = Fs_{63..32}$
MFHI	Move From HI	$Rd = HI$
MFLO	Move From LO	$Rd = LO$
MOV.fmt	Floating Point Move	$Fd = Fs$
MOVF	GPR Conditional Move on Floating Point False	if (cc[i] == 0) then $Rd = Rs$
MOVF.fmt	FPR Conditional Move on Floating Point False	if (cc[i] == 0) then $Fd = Fs$
MOVN	GPR Conditional Move on Not Zero	if $Rt \neq 0$ then $Rd = Rs$
MOVN.fmt	FPR Conditional Move on Not Zerp	if $Rt \neq 0$ then $Fd = Fs$
MOVT	GPR Conditional Move on Floating Point True	if (cc[i] == 1) then $Rd = Rs$
MOVT.fmt	FPR Conditional Move on Floating Point True	if (cc[i] == 1) then $Fd = Fs$
MOVZ	GPR Conditional Move on Zero	if $Rt = 0$ then $Rd = Rs$
MOVZ.fmt	FPR Conditional Move on Zero	if ($Rt == 0$) then $Fd = Fs$
MSUB	Multiply-Subtract	$HI LO == (int)Rs * (int)Rt$
MSUB.fmt	Floating Point Multiply Subtract fmt = S,D	$Fd = Fs * Ft - Fr$
MSUBU	Multiply-Subtract Unsigned	$HI LO == (uns)Rs * (uns)Rt$
MTC0	Move To Coprocessor 0	$CPR[0, n, Sel] = Rt$
MTC1	Move To FPR	$Fs = Rt$
MTC2	Move to Cp2 register	$Fs = Rt$
MTHC1	Move To High Half of FPR	$Fd = Rt Fs_{31..0}$
MTHC2	Move to High Half of Cp2 register	$Fd = Rt Fs_{31..0}$
MTHI	Move To HI	$HI = Rs$
MTLO	Move To LO	$LO = Rs$
MUL	Multiply with register write	$HI LO = Unpredictable$ $Rd = ((int)Rs * (int)Rt)_{31..0}$
MUL.fmt	Floating Point Multiply fmt = S,D	$Fd = Fs * Ft$
MULT	Integer Multiply	$HI LO = (int)Rs * (int)Rd$
MULTU	Unsigned Multiply	$HI LO = (uns)Rs * (uns)Rd$

Table 13-21 24KE™ Core Instruction Set (Continued)

Instruction	Description	Function
NEG.fmt	Floating Point Negate fmt = S,D	$Fd = \text{neg}(Fs)$
NMADD.fmt	Floating Point Negative Multiply Add fmt = S,D	$Fd = \text{neg}(Fs * Ft + Fr)$
NMSUB.fmt	Floating Point Negative Multiply Subtract fmt = S,D	$Fd = \text{neg}(Fs * Ft - Fr)$
NOP	No Operation (Assembler idiom for: SLL r0, r0, r0)	
NOR	Logical NOR	$Rd = \sim(Rs \mid Rt)$
OR	Logical OR	$Rd = Rs \mid Rt$
ORI	Logical OR Immediate	$Rt = Rs \mid \text{Immed}$
PREF	Prefetch	Load Specified Line into Cache
PREFX	Prefetch Indexed	Load Specified Line into Cache
RDHWR	Read Hardware Register	Allows unprivileged access to registers enabled by HWREna register
RDPGPR	Read GPR from Previous Shadow Set	$Rt = \text{SGPR}[\text{SRSCtlPSS}, Rd]$
RECIP.fmt	Floating Point Reciprocal Approximation fmt = S,D	$Fd = \text{recip}(Fs)$
RESTORE	Restore registers and deallocate stack frame (MIPS16 only)	See Architecture Reference Manual
ROTR	Rotate Word Right	$Rd = Rt_{sa-1..0} \parallel Rt_{31..sa}$
ROTRV	Rotate Word Right Variable	$Rd = Rt_{Rs-1..0} \parallel Rt_{31..Rs}$
ROUND.L.fmt	Floating Point Round to Long Fixed Point fmt = S,D	$Fd = \text{convert_and_round}(Fs)$
ROUND.W.fmt	Floating Point Round to Word Fixed Point fmt = S,D	$Fd = \text{convert_and_round}(Fs)$
RSQRT.fmt	Floating Point Reciprocal Square Root Approximation fmt = S,D	$Fd = \text{rsqrt}(Fs)$
SAVE	Save registers and allocate stack frame (MIPS16 only)	See Architecture Reference Manual
SB	Store Byte	$(\text{byte}) \text{Mem}[\text{base}+\text{offset}] = Rt$
SC	Store Conditional Word	$\text{if } LL = 1$ $\text{mem}[\text{base}+\text{offset}] = Rt$ $Rt = LL$
SDBBP	Software Debug Break Point	Trap to SW Debug Handler
SDC1	Store Doubleword from Floating Point	$\text{memory}[\text{base}+\text{offset}] = Ft$
SDC2	Store Doubleword from Cp2	$\text{memory}[\text{base}+\text{offset}] = Ft$
SDXC1	Store Word Indexed from Floating Point	$\text{memory}[\text{base}+\text{index}] = Fs$

Table 13-21 24KE™ Core Instruction Set (Continued)

Instruction	Description	Function
SEB	Sign Extend Byte	$Rd = (\text{byte})Rs$
SEH	Sign Extend Half	$Rd = (\text{half})Rs$
SH	Store Half	$(\text{half})\text{Mem}[\text{base}+\text{offset}] = Rt$
SLL	Shift Left Logical	$Rd = Rt \ll sa$
SLLV	Shift Left Logical Variable	$Rd = Rt \ll Rs[4:0]$
SLT	Set on Less Than	<pre> if (int)Rs < (int)Rt Rd = 1 else Rd = 0 </pre>
SLTI	Set on Less Than Immediate	<pre> if (int)Rs < (int)Immed Rt = 1 else Rt = 0 </pre>
SLTIU	Set on Less Than Immediate Unsigned	<pre> if (uns)Rs < (uns)Immed Rt = 1 else Rt = 0 </pre>
SLTU	Set on Less Than Unsigned	<pre> if (uns)Rs < (uns)Immed Rd = 1 else Rd = 0 </pre>
SQRT.fmt	Floating Point Square Root fmt = S,D	$Fd = \text{sqrt}(Fs)$
SRA	Shift Right Arithmetic	$Rd = (\text{int})Rt \gg sa$
SRAV	Shift Right Arithmetic Variable	$Rd = (\text{int})Rt \gg Rs[4:0]$
SRL	Shift Right Logical	$Rd = (\text{uns})Rt \gg sa$
SRLV	Shift Right Logical Variable	$Rd = (\text{uns})Rt \gg Rs[4:0]$
SSNOP	Superscalar Inhibit No Operation	NOP
SUB	Integer Subtract	$Rt = (\text{int})Rs - (\text{int})Rd$
SUB.fmt	Floating Point Subtract fmt = S,D	$Fd = Fs - Ft$
SUBU	Unsigned Subtract	$Rt = (\text{uns})Rs - (\text{uns})Rd$
SUXC1	Store Doubleword Indexed Unaligned from Floating Point	$\text{memory}[(\text{base}+\text{index})\text{psize}-1..3] = Fs$
SW	Store Word	$\text{Mem}[\text{base}+\text{offset}] = Rt$
SWC1	Store Word From Floating Point	$\text{Mem}[\text{base}+\text{offset}] = Fs$
SWC2	Store Word From Cp2 Register	$\text{Mem}[\text{base}+\text{offset}] = Fs$
SWL	Store Word Left	See Architecture Reference Manual
SWR	Store Word Right	See Architecture Reference Manual
SWXC1	Store Word Indexed to Floating Point	$\text{memory}[\text{base}+\text{index}] = Fs$

Table 13-21 24KE™ Core Instruction Set (Continued)

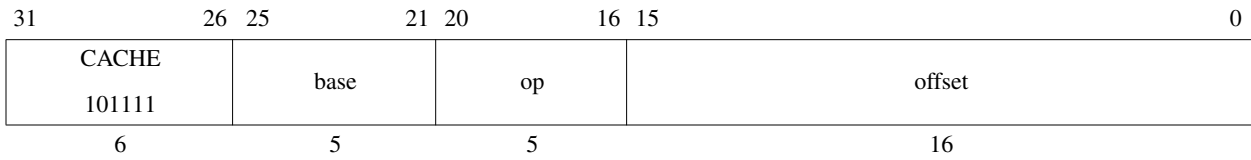
Instruction	Description	Function
SYNC	Synchronize	See Software User's Manual
SYNCI	Synchronize Caches to Make Instruction Writes Effective	For D-cache writeback and I-cache invalidate on specified address
SYSCALL	System Call	SystemCallException
TEQ	Trap if Equal	if Rs == Rt TrapException
TEQI	Trap if Equal Immediate	if Rs == (int)Immed TrapException
TGE	Trap if Greater Than or Equal	if (int)Rs >= (int)Rt TrapException
TGEI	Trap if Greater Than or Equal Immediate	if (int)Rs >= (int)Immed TrapException
TGEIU	Trap if Greater Than or Equal Immediate Unsigned	if (uns)Rs >= (uns)Immed TrapException
TGEU	Trap if Greater Than or Equal Unsigned	if (uns)Rs >= (uns)Rt TrapException
TLBWI	Write Indexed TLB Entry	See Software Users Manual
TLBWR	Write Random TLB Entry	See Software Users Manual
TLBP	Probe TLB for Matching Entry	See Software Users Manual
TLBR	Read Index for TLB Entry	See Software Users Manual
TLT	Trap if Less Than	if (int)Rs < (int)Rt TrapException
TLTI	Trap if Less Than Immediate	if (int)Rs < (int)Immed TrapException
TLTIU	Trap if Less Than Immediate Unsigned	if (uns)Rs < (uns)Immed TrapException
TLTU	Trap if Less Than Unsigned	if (uns)Rs < (uns)Rt TrapException
TNE	Trap if Not Equal	if Rs != Rt TrapException
TNEI	Trap if Not Equal Immediate	if Rs != (int)Immed TrapException
TRUNC.L.fmt	Floating Point Truncate to Long Fixed Point	Fd = convert_and_round(Fs)
TRUNC.W.fmt	Floating Point Truncate to Word Fixed Point	Fd = convert_and_round(Fs)
WAIT	Wait for Interrupts	Stall until interrupt occurs
WRPGPR	Write to GPR in Previous Shadow Set	SGPR[SRSCtl _{pSS} , Rd] = Rt
WSBH	Word Swap Bytes Within HalfWords	Rd = Rt _{23..16} Rt _{31..24} Rt _{7..0} Rt _{15..8}
XOR	Exclusive OR	Rd = Rs ^ Rt
XORI	Exclusive OR Immediate	Rt = Rs ^ (uns)Immed

Table 13-21 24KE™ Core Instruction Set (Continued)

Instruction	Description	Function
ZEB	Zero extend byte (MIPS16 only)	$Rt = (\text{ubyte}) Rs$
ZEH	Zero extend half (MIPS16 only)	$Rt = (\text{uhalf}) Rs$

Perform Cache Operation

CACHE



Format: CACHE op, offset (base)

MIPS32

Purpose:

To perform the cache operation specified by op.

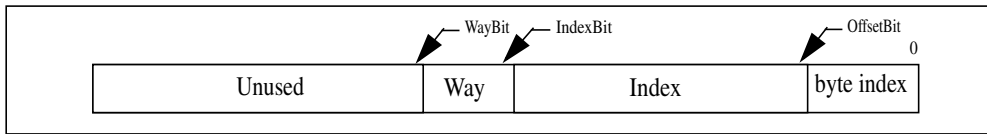
Description:

The 16-bit offset is sign-extended and added to the contents of the base register to form an effective address. The effective address is used in one of the following ways based on the operation to be performed and the type of cache as described in the following table.

Table 13-22 Usage of Effective Address

Operation Requires an	Type of Cache	Usage of Effective Address
Address	Physical	The effective address is translated by the MMU to a physical address. The physical address is then used to address the cache
Index	N/A	<p>The effective address is used to index the cache.</p> <p>Assuming that the total cache size in bytes is CS, the associativity is A, and the number of bytes per tag is BPT, the following calculations give the fields of the address which specify the way and the index:</p> $\text{OffsetBit} \leftarrow \text{Log}_2(\text{BPT})$ $\text{IndexBit} \leftarrow \text{Log}_2(\text{CS} / \text{A})$ $\text{WayBit} \leftarrow \text{IndexBit} + \text{Ceiling}(\text{Log}_2(\text{A}))$ $\text{Way} \leftarrow \text{Addr}_{\text{WayBit}-1..\text{IndexBit}}$ $\text{Index} \leftarrow \text{Addr}_{\text{IndexBit}-1..\text{OffsetBit}}$

Figure 13-1 Usage of Address Fields to Select Index and Way



A TLB Refill and TLB Invalid (both with cause code equal TLBL) exception can occur on any operation. For index operations (where the address is used to index the cache but need not match the cache tag) software should use unmapped addresses to avoid TLB exceptions. This instruction never causes TLB Modified exceptions nor TLB Refill exceptions with a cause code of TLBS.

The effective address may be an arbitrarily-aligned by address. The CACHE instruction never causes an Address Error Exception due to a non-aligned address.

A Cache Error exception may occur as a byproduct of some operations performed by this instruction. For example, if a Writeback operation detects a cache or bus error during the processing of the operation, that error is reported via a Cache Error exception. Similarly, a Bus Error Exception may occur if a bus operation invoked by this instruction is terminated in an error. However, cache error exceptions should not be triggered by an Index Load Tag or Index Store tag operation, as these operations are used for initialization and diagnostic purposes.

An address Error Exception (with cause code equal AdEL) occurs if the effective address references a portion of the kernel address space which would normally result in such an exception.

Bits [17:16] of the instruction specify the cache on which to perform the operation, as follows:

Table 13-23 Encoding of Bits[17:16] of CACHE Instruction

Code	Name	Cache	Cop0 Registers Used
2#00	I	Primary Instruction	TagLo0, DataLo0, DataHi0, ErrCtl
2#01	D	Primary Data	TagLo1, DataLo1, ErrCtl
2#10	T	Tertiary (Not supported)	
2#11	S	Secondary	TagLo2

Some of the operations use coprocessor0 registers as either sources or destinations. Each of the caches has a separate set of Tag and Data registers. The last column in Table 13-23 lists which registers are used by operations to each cache. In the description of the operations, these may be explicitly listed or referred to in general, such as *TagLoN*, which would refer to the TagLo register corresponding to that cache.

Bits [20:18] of the instruction specify the operation to perform. On Index Load Tag and Index Store Data operations, the specific word (primary D) or double-word (primary I) that is addressed is loaded into / read from the *DataLo0* (primary D) or *DataLo0* and *DataHi0* (primary I) registers. All other cache instructions are line-based and the word and byte indexes will not affect their operation.

Table 13-24 Encoding of Bits [20:18] of the CACHE Instruction, ErrCtl[WST,SPR] Cleared

Code	Caches	Name	Effective Address Operand Type	Operation	Implemented?
2#000	I	Index Invalidate	Index	Set the state of the cache line at the specified index to invalid. This encoding may be used by software to invalidate the entire instruction cache by stepping through all valid indices.	Yes
	D	Index Writeback Invalidate	Index	If the state of the cache line at the specified index is valid and dirty, write the line back to the memory address specified by the cache tag. After that operation is completed, set the state of the cache line to invalid. If the line is valid but not dirty, set the state of the line to invalid.	Yes
	S, T	Index Writeback Invalidate	Index		This encoding may be used by software to invalidate the entire data cache by stepping through all valid indices. Note that Index Store Tag should be used to initialize the cache at powerup.
2#001	All	Index Load Tag	Index	Read the tag for the cache line at the specified index into the <i>TagLo</i> Coprocessor 0 register. Also read the data corresponding to the byte index into the <i>DataLo0</i> and <i>DataHi0</i> (I side), <i>DataLo1</i> (D side), or <i>DataLo2</i> (Secondary cache) registers. Precode bits (I only) and data array parity bits are also read into the <i>ErrCtl</i> register.	Yes
2#010	All	Index Store Tag	Index	Write the tag for the cache line at the specified index from the associated <i>TagLoN</i> Coprocessor 0 register. By default, the tag parity value will be automatically calculated. For test purposes, the <i>TagLoN_p</i> bit is used if <i>ErrCtl_{p0}</i> is set. This encoding may be used by software to initialize the entire instruction or data caches by stepping through all valid indices. Doing so requires that the <i>TagLo</i> register associated with the cache be initialized first.	Yes
2#011	All	Reserved	Unspecified	Executed as a no-op.	No
2#100	I, D	Hit Invalidate	Address	If the cache line contains the specified address, set the state of the cache line to invalid. This encoding may be used by software to invalidate a range of addresses from the instruction cache by stepping through the address range by the line size of the cache.	Yes
	S, T	Hit Invalidate	Address		Yes

Table 13-24 Encoding of Bits [20:18] of the CACHE Instruction, ErrCtl[WST,SPR] Cleared

Code	Caches	Name	Effective Address Operand Type	Operation	Implemented?
2#101	I	Fill	Address	Fill the cache from the specified address. The cache line is refetched even if it is already in the cache.	Yes
	D	Hit Writeback Invalidate	Address	If the cache line contains the specified address and it is valid and dirty, write the contents back to memory. After that operation is completed, set the state of the cache line to invalid. If the line is valid but not dirty, set the state of the line to invalid.	Yes
	S, T	Hit Writeback Invalidate	Address	This encoding may be used by software to invalidate a range of addresses from the data cache by stepping through the address range by the line size of the cache.	No
2#110	D	Hit Writeback	Address	If the cache line contains the specified address and it is valid and dirty, write the contents back to memory. After the operation is completed, leave the state of the line valid, but clear the dirty state.	Yes
	S, T	Hit Writeback	Address		Yes
2#111	I, D	Fetch and Lock	Address	<p>If the cache does not contain the specified address, fill it from memory, performing a writeback if required, and set the state to valid and locked. If the cache already contains the specified address, set the state to locked. The way selected on fill from memory is the least recently used.</p> <p>The lock state is cleared by executing an Index Invalidate, Index Writeback Invalidate, Hit Invalidate, or Hit Writeback Invalidate operation to the locked line, or via an Index Store Tag operation with the lock bit reset in the <i>TagLoN</i> register.</p> <p>It is illegal to lock all 4 ways at a given cache index. If all 4 ways are locked, subsequent references to that index will displace one of the locked lines.</p>	Yes

Table 13-25 Encoding of Bits [20:18] of the CACHE Instruction, ErrCtl[WST] Set. ErrCtl[SPR] Cleared

Code	Caches	Name	Effective Address Operand Type	Operation	Implemented?
2#001	I, D	Index Load WS	Index	Read the WS RAM at the specified index into the <i>TagLoN</i> Coprocessor 0 register.	Yes
2#010	I	Index Store WS	Index	Update the WS RAM at the specified index from the <i>TagLo0</i> Coprocessor 0 register.	Yes

Table 13-25 Encoding of Bits [20:18] of the CACHE Instruction, ErrCtl[WST] Set. ErrCtl[SPR] Cleared

Code	Caches	Name	Effective Address Operand Type	Operation	Implemented?
2#010	D	Index Store WS	Index	Update the WS RAM at the specified index from the <i>TagLo1</i> Coprocessor 0 register. If <i>ErrCtl_{PO}</i> is set, the dirty parity values in the <i>TagLo1</i> register will be written to the WS RAM. Otherwise, the parity will be calculated for the write data.	Yes
2#011	I	Index Store Data	Index	Write the <i>DataHi0</i> and <i>DataLo0</i> Coprocessor 0 register contents at the way and byte index specified. If <i>ErrCtl_{PO}</i> is set, <i>ErrCtl_{PI}</i> is used for the parity value. Otherwise, the parity value is calculated for the write data. If <i>ErrCtl_{PCO}</i> is set, <i>ErrCtl_{PCI}</i> is used for the precode values. Otherwise, the precode values will be calculated based on the write data.	Yes
2#011	D	Index Store Data	Index	Write the <i>DataLo1</i> Coprocessor 0 register contents at the way and byte index specified. If <i>ErrCtl_{PO}</i> is set, <i>ErrCtl_{PD}</i> is used for the parity value. Otherwise, the parity value is calculated for the write data.	Yes
All Others	All			Other codes should not be used while <i>ErrCtl_{WST}</i> is set.	

Table 13-26 Encoding of Bits [20:18] of the CACHE Instruction, ErrCtl[SPR] Set, ErrCtl[WST] Cleared

Code	Caches	Name	Effective Address Operand Type	Operation	Implemented?
2#001	I	Index Load Tag	Index	Read the SPRAM tag at the specified index into the <i>TagLo0</i> Coprocessor 0 register. Also read the instruction data and precode information corresponding to the byte index into the <i>DataHi</i> , <i>DataLo</i> , and <i>ErrCtl</i> registers	Yes
2#001	D	Index Load Tag	Index	Read the SPRAM tag at the specified index into the <i>TagLo1</i> Coprocessor 0 register.	Yes
2#010	I, D	Index Store Tag	Index	Update the SPRAM tag at the specified index from the <i>TagLoN</i> Coprocessor 0 register.	Yes
2#011	I	Index Store Data	Index	Write the <i>DataLo0</i> and <i>DataHi0</i> Coprocessor 0 register contents into the SPRAM at the dword index specified.	Yes
2#011	D	Index Store Data	Index	Write the <i>DataLo1</i> Coprocessor 0 register contents into the SPRAM at the word index specified.	Yes
All Others	All			Other codes should not be used while ErrCtl _{SPR} is set.	

Restrictions:

The operation of this instruction is **UNDEFINED** for any operation/cache combination that is not implemented.

The operation of this instruction is **UNDEFINED** if the operation requires an address, and that address is uncacheable.

If access to Coprocessor 0 is not enabled, a Coprocessor Unusable Exception is signaled.

Operation:

```
vAddr ← GPR[base] + sign_extend(offset)
(pAddr, uncached) ← AddressTranslation(vAddr, DataReadReference)
CacheOp(op, vAddr, pAddr)
```

Exceptions:

TLB Refill Exception.

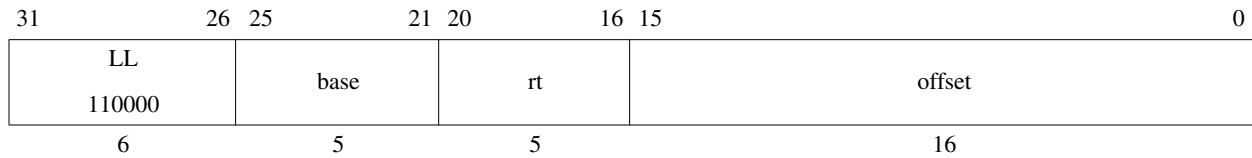
TLB Invalid Exception

Coprocessor Unusable Exception

Address Error Exception

Cache Error Exception

Bus Error Exception



Format: LL *rt*, *offset*(*base*)

MIPS32

Purpose:

To load a word from memory for an atomic read-modify-write

Description: $rt \leftarrow \text{memory}[\text{base}+\text{offset}]$

The LL and SC instructions provide the primitives to implement atomic read-modify-write (RMW) operations for synchronizable memory locations.

The contents of the 32-bit word at the memory location specified by the aligned effective address are fetched and written into GPR *rt*. The 16-bit signed *offset* is added to the contents of GPR *base* to form an effective address.

This begins a RMW sequence on the current processor. There can be only one active RMW sequence per processor. When an LL is executed it starts an active RMW sequence replacing any other sequence that was active. The RMW sequence is completed by a subsequent SC instruction that either completes the RMW sequence atomically and succeeds, or does not and fails.

Executing LL on one processor does not cause an action that, by itself, causes an SC for the same block to fail on another processor.

An execution of LL does not have to be followed by execution of SC; a program is free to abandon the RMW sequence without attempting a write.

Restrictions:

The addressed location must be synchronizable by all processors and I/O devices sharing the location; if it is not, the result in **UNPREDICTABLE**. Which storage is synchronizable is a function of both CPU and system implementations. See the documentation of the SC instruction for the formal definition.

The effective address must be naturally-aligned. If either of the 2 least-significant bits of the effective address is non-zero, an Address Error exception occurs.

Operation:

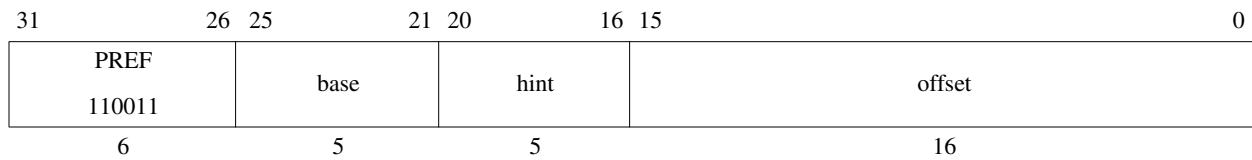
```
vAddr ← sign_extend(offset) + GPR[base]
if vAddr1..0 ≠ 02 then
    SignalException(AddressError)
endif
(pAddr, CCA) ← AddressTranslation(vAddr, DATA, LOAD)
memword ← LoadMemory(CCA, WORD, pAddr, vAddr, DATA)
GPR[rt] ← memword
LLbit ← 1
```

Exceptions:

TLB Refill, TLB Invalid, Address Error, Reserved Instruction, Watch

Programming Notes:

There is no Load Linked Word Unsigned operation corresponding to Load Word Unsigned.



Format: `PREF hint,offset(base)`

MIPS32

Purpose:

To move data between memory and cache.

Description: `prefetch_memory(base+offset)`

PREF adds the 16-bit signed *offset* to the contents of GPR *base* to form an effective byte address. The *hint* field supplies information about the way that the data is expected to be used.

PREF is an advisory instruction that may change the performance of the program. However, for all *hint* values except for PrepareForStore, and all effective addresses, it neither changes the architecturally visible state nor does it alter the meaning of the program.

PREF does not cause addressing-related exceptions. If the address specified would cause an addressing exception, the exception condition is ignored and no data movement occurs. However even if no data is prefetched, some action that is not architecturally visible, such as writeback of a dirty cache line, can take place.

It is implementation dependent whether a Bus Error or Cache Error exception is reported if such an error is detected as a byproduct of the action taken by the PREF instruction.

PREF never generates a memory operation for a location with an *uncached* memory access type.

If PREF results in a memory operation, the memory access type used for the operation is determined by the memory access type of the effective address, just as it would be if the memory operation had been caused by a load or store to the effective address.

The *hint* field supplies information about the way the data is expected to be used. With the exception of PrepareForStore, a *hint* value cannot cause an action to modify architecturally visible state.

Any of the following conditions causes the core to treat a PREF instruction as a NOP.

- A reserved *hint* value is used
- The address has a translation error
- The address maps to an uncacheable page

In all other cases, except when *hint* equals 25, execution of the PREF instruction initiates an external bus read transaction. PREF is a non-blocking operation and does not cause the pipeline to stall while waiting for the data to be returned.

Table 13-27 Values of the *hint* Field for the PREF Instruction

Value	Name	Data Use and Desired Prefetch Action
0	load	Use: Prefetched data is expected to be read (not modified). Action: Fetch data as if for a load.
1	store	Use: Prefetched data is expected to be stored or modified. Action: Fetch data as if for a store.
2-3	Reserved	Reserved - treated as a NOP.
4	load_streamed	Use: Prefetched data is expected to be read (not modified) but not reused extensively; it “streams” through cache. Action: Fetch data as if for a load. LRU replacement information is ignored and data is placed in way 0, so it will be displaced by other streamed prefetches and not displace retained prefetches. If way 0 is locked, the prefetch will be dropped..
5	store_streamed	Use: Prefetched data is expected to be stored or modified but not reused extensively; it “streams” through cache. Action: Fetch data as if for a store. LRU replacement information is ignored and data is placed in way 0 of the cache, so it will be displaced by other streamed prefetches and not displace retained prefetches. If way 0 is locked, the prefetch will be dropped..
6	load_retained	Use: Prefetched data is expected to be read (not modified) and reused extensively; it should be “retained” in the cache. Action: Fetch data as if for a load. LRU replacement information is used, but way 0 of the cache is specifically excluded. This prevents streamed prefetches from displacing the line.
7	store_retained	Use: Prefetched data is expected to be stored or modified and reused extensively; it should be “retained” in the cache. Action: Fetch data as if for a load. LRU replacement information is used, but way 0 of the cache is specifically excluded. This prevents streamed prefetches from displacing the line.
8-24	Reserved	Reserved - treated as a NOP.
25	writeback_invalidate (also known as “nudge”)	Use: Data is no longer expected to be used. Action: Schedule a writeback of any dirty data. The cache line is marked as invalid upon completion of the writeback. If cache line is clean or locked, no action is taken.
26-29	Reserved	Reserved - treated as a NOP.
30	PrepareForStore	Use: Prepare the cache for writing an entire line, without the overhead involved in filling the line from memory. Action: If the reference hits in the cache, no action is taken. If the reference misses in the cache, a line is selected for replacement, any valid and dirty victim is written back to memory, the entire line is filled with zero data, and the state of the line is marked as valid and dirty. Programming Note: Because the cache line is filled with zero data only on a cache miss, software must not assume that this action, in and of itself, can be used as a fast bzero-type function.

Table 13-27 Values of the *hint* Field for the PREF Instruction

31	Reserved	Reserved - treated as a NOP.
----	----------	------------------------------

Restrictions:

None

Operation:

```
vAddr ← GPR[base] + sign_extend(offset)
(pAddr, CCA) ← AddressTranslation(vAddr, DATA, LOAD)
Prefetch(CCA, pAddr, vAddr, DATA, hint)
```

Exceptions:

Bus Error, Cache Error

Prefetch does not take any TLB-related or address-related exceptions under any circumstances.

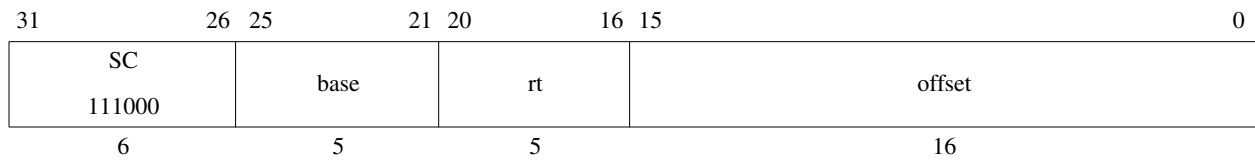
Programming Notes:

Prefetch cannot prefetch data from a mapped location unless the translation for that location is present in the TLB. Locations in memory pages that have not been accessed recently may not have translations in the TLB, so prefetch may not be effective for such locations.

Prefetch does not cause addressing exceptions. It does not cause an exception to prefetch using an address pointer value before the validity of a pointer is determined.

It is implementation dependent whether a Bus Error or Cache Error exception is reported if such an error is detected as a byproduct of the action taken by the PREF instruction. Typically, this only occurs in systems which have high-reliability requirements.

Prefetch operations have no effect on cache lines that were previously locked with the CACHE instruction.



Format: SC *rt*, *offset*(*base*)

MIPS32

Purpose:

To store a word to memory to complete an atomic read-modify-write

Description: if `atomic_update` then `memory[base+offset] ← rt`, `rt ← 1` else `rt ← 0`

The LL and SC instructions provide primitives to implement atomic read-modify-write (RMW) operations for synchronizable memory locations.

The 32-bit word in GPR *rt* is conditionally stored in memory at the location specified by the aligned effective address. The 16-bit signed *offset* is added to the contents of GPR *base* to form an effective address.

The SC completes the RMW sequence begun by the preceding LL instruction executed on the processor. To complete the RMW sequence atomically, the following occur:

- The 32-bit word of GPR *rt* is stored into memory at the location specified by the aligned effective address.
- A 1, indicating success, is written into GPR *rt*.

Otherwise, memory is not modified and a 0, indicating failure, is written into GPR *rt*.

If the following event occurs between the execution of LL and SC, the SC fails:

- An ERET instruction is executed.

If either of the following events occurs between the execution of LL and SC, the SC may succeed or it may fail; the success or failure is not predictable. Portable programs should not cause one of these events.

- A memory access instruction (load, store, or prefetch) is executed on the processor executing the LL/SC.
- The instructions executed starting with the LL and ending with the SC do not lie in a 2048-byte contiguous region of virtual memory. (The region does not have to be aligned, other than the alignment required for instruction words.)

The following conditions must be true or the result of the SC is **UNPREDICTABLE**:

- Execution of SC must have been preceded by execution of an LL instruction.
- An RMW sequence executed without intervening events that would cause the SC to fail must use the same address in the LL and SC. The address is the same if the virtual address, physical address, and cache-coherence algorithm are identical.

Restrictions:

The effective address must be naturally-aligned. If either of the 2 least-significant bits of the address is non-zero, an Address Error exception occurs.

Operation:

```
vAddr ← sign_extend(offset) + GPR[base]
if vAddr1..0 ≠ 02 then
    SignalException(AddressError)
endif
(pAddr, CCA) ← AddressTranslation (vAddr, DATA, STORE)
dataword ← GPR[rt]
if LLbit then
    StoreMemory (CCA, WORD, dataword, pAddr, vAddr, DATA)
endif
GPR[rt] ← 031 || LLbit
```


Exceptions:

TLB Refill, TLB Invalid, TLB Modified, Address Error, Watch

Programming Notes:

LL and SC are used to atomically update memory locations, as shown below.

```
L1:
    LL    T1, (T0) # load counter
    ADDI  T2, T1, 1 # increment
    SC    T2, (T0) # try to store, checking for atomicity
    BEQ   T2, 0, L1 # if not atomic (0), try again
    NOP                   # branch-delay slot
```

Exceptions between the LL and SC cause SC to fail, so persistent exceptions must be avoided. Some examples of these are arithmetic operations that trap, system calls, and floating point operations that trap or require software emulation assistance.

LL and SC function on a single processor for *cached noncoherent* memory so that parallel programs can be run on uniprocessor systems that do not support *cached coherent* memory access types.

31	26 25	21 20	16 15	11 10	6 5	0
SPECIAL	0			stype	SYNC	
000000	00 0000 0000 0000 0				001111	
6	15			5	6	

Format: SYNC (styp_e = 0 implied)

MIPS32

Purpose:

To order loads and stores.

Description:

Simple Description:

- SYNC affects only *uncached* and *cached coherent* loads and stores. The loads and stores that occur before the SYNC must be completed before the loads and stores after the SYNC are allowed to start.
- Loads are completed when the destination register is written. Stores are completed when the stored value is visible to every other processor in the system.
- SYNC is required, potentially in conjunction with SSNOP, to guarantee that memory reference results are visible across operating mode changes. For example, a SYNC is required on entry to and exit from Debug Mode to guarantee that memory affects are handled correctly.

Detailed Description:

- SYNC does not guarantee the order in which instruction fetches are performed. The *styp_e* values 1-31 are reserved for future extensions to the architecture. A value of zero will always be defined such that it performs all defined synchronization operations. Non-zero values may be defined to remove some synchronization operations. As such, software should never use a non-zero value of the *styp_e* field, as this may inadvertently cause future failures if non-zero values remove synchronization operations.
- The SYNC instruction stalls until all loads, stores, refills are completed and all write buffers are empty.
- If the Config7_{ES} bit is set, executing a SYNC instruction will cause a synchronizing transaction on the external bus. This will be a read with the OC_MReqInfo[3] bit set. Handling of this transaction is system dependent, but a typical system will flush any external write buffers and complete all pending transactions before completing the SYNC.

Restrictions:

The effect of SYNC on the global order of loads and stores for memory access types other than *uncached* and *cached coherent* is **UNPREDICTABLE**.

Operation:

`SyncOperation(stype)`

Exceptions:

None

Read Indexed TLB Entry

TLBR

31	26	25	24	6	5	0
COP0	CO	0			TLBR	
010000	1	000 0000 0000 0000 0000			000001	
6	1	19			6	

Format: TLBR

MIPS32

Purpose:

To read an entry from the TLB.

Description:

The *EntryHi*, *EntryLo0*, *EntryLo1*, and *PageMask* registers are loaded with the contents of the TLB entry pointed to by the Index register. Note that the value written to the *EntryHi*, *EntryLo0*, and *EntryLo1* registers may be different from that originally written to the TLB via these registers in that:

- The value returned in the G bit in both the *EntryLo0* and *EntryLo1* registers comes from the single G bit in the TLB entry. Recall that this bit was set from the logical AND of the two G bits in *EntryLo0* and *EntryLo1* when the TLB was written.

Restrictions:

The operation is **UNDEFINED** if the contents of the Index register are greater than or equal to the number of TLB entries in the processor.

If access to Coprocessor 0 is not enabled, a Coprocessor Unusable Exception is signaled.

Operation:

```

i ← Index
if i > (TLBEntries - 1) then
    UNDEFINED
endif
PageMaskMask ← TLB[i]Mask
EntryHi ←
    TLB[i]VPN2 ||
    05 || TLB[i]ASID
EntryLo1 ← 02 ||
    TLB[i]PFN1 ||
    TLB[i]C1 || TLB[i]D1 || TLB[i]V1 || TLB[i]G
EntryLo0 ← 02 ||
    TLB[i]PFN0 ||
    TLB[i]C0 || TLB[i]D0 || TLB[i]V0 || TLB[i]G

```

Exceptions:

Coprocessor Unusable

Write Indexed TLB Entry**TLBWI**

31	26	25	24	6	5	0
COP0	CO	0			TLBWI	
010000	1	000 0000 0000 0000 0000			000010	
6	1	19			6	

Format: TLBWI**MIPS32****Purpose:**

To write a TLB entry indexed by the *Index* register.

Description:

The TLB entry pointed to by the *Index* register is written from the contents of the *EntryHi*, *EntryLo0*, *EntryLo1*, and *PageMask* registers. The information written to the TLB entry may be different from that in the *EntryHi*, *EntryLo0*, and *EntryLo1* registers, in that:

- The single G bit in the TLB entry is set from the logical AND of the G bits in the *EntryLo0* and *EntryLo1* registers.

Restrictions:

The operation is **UNDEFINED** if the contents of the *Index* register are greater than or equal to the number of TLB entries in the processor.

If access to Coprocessor 0 is not enabled, a Coprocessor Unusable Exception is signaled.

Operation:

```
i ← Index
TLB[i]Mask ← PageMaskMask
TLB[i]VPN2 ← EntryHiVPN2
TLB[i]ASID ← EntryHiASID
TLB[i]G ← EntryLo1G and EntryLo0G
TLB[i]PFN1 ← EntryLo1PFN
TLB[i]C1 ← EntryLo1C
TLB[i]D1 ← EntryLo1D
TLB[i]V1 ← EntryLo1V
TLB[i]PFN0 ← EntryLo0PFN
TLB[i]C0 ← EntryLo0C
TLB[i]D0 ← EntryLo0D
TLB[i]V0 ← EntryLo0V
```

Exceptions:

Coprocessor Unusable

Write Random TLB Entry

TLBWR

31	26	25	24	6	5	0
COP0	CO	0			TLBWR	
010000	1	000 0000 0000 0000 0000			000110	
6	1	19			6	

Format: TLBWR

MIPS32

Purpose:

To write a TLB entry indexed by the *Random* register.

Description:

The TLB entry pointed to by the *Random* register is written from the contents of the *EntryHi*, *EntryLo0*, *EntryLo1*, and *PageMask* registers. The information written to the TLB entry may be different from that in the *EntryHi*, *EntryLo0*, and *EntryLo1* registers, in that:

- The single G bit in the TLB entry is set from the logical AND of the G bits in the *EntryLo0* and *EntryLo1* registers.

Restrictions:

If access to Coprocessor 0 is not enabled, a Coprocessor Unusable Exception is signaled.

Operation:

```
i ← Random
TLB[i]Mask ← PageMaskMask
TLB[i]VPN2 ← EntryHiVPN2
TLB[i]ASID ← EntryHiASID
TLB[i]G ← EntryLo1G and EntryLo0G
TLB[i]PFN1 ← EntryLo1PFN
TLB[i]C1 ← EntryLo1C
TLB[i]D1 ← EntryLo1D
TLB[i]V1 ← EntryLo1V
TLB[i]PFN0 ← EntryLo0PFN
TLB[i]C0 ← EntryLo0C
TLB[i]D0 ← EntryLo0D
TLB[i]V0 ← EntryLo0V
```

Exceptions:

Coprocessor Unusable

Enter Standby Mode**WAIT**

31	26	25	24	6	5	0
COP0	CO	Implementation-Dependent Code			WAIT	
010000	1				100000	
6	1	19			6	

Format: WAIT**MIPS32****Purpose:**

Wait for Event

Description:

The WAIT instruction forces the core into low power mode. The pipeline is stalled and when all external requests are completed, the processor's main clock is stopped. The processor will restart when reset (SI_Reset) is signaled, or a non-masked interrupt is taken (SI_NMI, SI_Int, or EJ_DINT). Note that the core does not use the code field in this instruction.

If the pipeline restarts as the result of an enabled interrupt, that interrupt is taken between the WAIT instruction and the following instruction (EPC for the interrupt points at the instruction following the WAIT instruction).

Restrictions:

The operation of the processor is **UNDEFINED** if a WAIT instruction is placed in the delay slot of a branch or a jump.

If access to Coprocessor 0 is not enabled, a Coprocessor Unusable Exception is signaled.

Operation:

```
I: Enter lower power mode
I+1:/* Potential interrupt taken here */
```

Exceptions:

Coprocessor Unusable Exception

MIPS16e™ Application-Specific Extension to the MIPS32® Instruction Set

This chapter describes the MIPS16e ASE as implemented in the 24KE core. Refer to Volume IV-a of the *MIPS32 Architecture Reference Manual* for a general description of the MIPS16e ASE as well as instruction descriptions.

This chapter covers the following topics:

- Section 14.1, "Instruction Bit Encoding" on page 341
- Section 14.2, "Instruction Listing" on page 343

14.1 Instruction Bit Encoding

Table 14-2 through Table 14-9 describe the encoding used for the MIPS16e ASE. Table 14-1 describes the meaning of the symbols used in the tables.

Table 14-1 Symbols Used in the Instruction Encoding Tables

Symbol	Meaning
*	Operation or field codes marked with this symbol are reserved for future use. Executing such an instruction cause a Reserved Instruction Exception.
δ	(Also <i>italic</i> field name.) Operation or field codes marked with this symbol denotes a field class. The instruction word must be further decoded by examining additional tables that show values for another instruction field.
β	Operation or field codes marked with this symbol represent a valid encoding for a higher-order MIPS ISA level. Executing such an instruction cause a Reserved Instruction Exception.
θ	Operation or field codes marked with this symbol are available to licensed MIPS partners. To avoid multiple conflicting instruction definitions, the partner must notify MIPS Technologies, Inc. when one of these encodings is used. If no instruction is encoded with this value, executing such an instruction must cause a Reserved Instruction Exception (<i>SPECIAL2</i> encodings or coprocessor instruction encodings for a coprocessor to which access is allowed) or a Coprocessor Unusable Exception (coprocessor instruction encodings for a coprocessor to which access is not allowed).
σ	Field codes marked with this symbol represent an EJTAG support instruction and implementation of this encoding is optional for each implementation. If the encoding is not implemented, executing such an instruction must cause a Reserved Instruction Exception. If the encoding is implemented, it must match the instruction encoding as shown in the table.
ε	Operation or field codes marked with this symbol are reserved for MIPS Application Specific Extensions. If the ASE is not implemented, executing such an instruction must cause a Reserved Instruction Exception.
ϕ	Operation or field codes marked with this symbol are obsolete and will be removed from a future revision of the MIPS64 ISA. Software should avoid using these operation or field codes.

Table 14-2 MIPS16e Encoding of the Opcode Field

opcode		bits 13..11							
		0	1	2	3	4	5	6	7
bits 15..14		000	001	010	011	100	101	110	111
0	00	ADDIUSP ¹	ADDIUPC ²	B	JAL(X) δ	BEQZ	BNEZ	SHIFT δ	β
1	01	RRI-A δ	ADDIU8 ³	SLTI	SLTIU	I8 δ	LI	CMPI	β
2	10	LB	LH	LWSP ⁴	LW	LBU	LHU	LWPC ⁵	β
3	11	SB	SH	SWSP ⁶	SW	RRR δ	RR δ	EXTEND δ	β

1. The ADDIUSP opcode is used by the ADDIU rx, sp, immediate instruction
2. The ADDIUPC opcode is used by the ADDIU rx, pc, immediate instruction
3. The ADDIU8 opcode is used by the ADDIU rx, immediate instruction
4. The LWSP opcode is used by the LW rx, offset(sp) instruction
5. The LWPC opcode is used by the LW rx, offset(pc) instruction
6. The SWSP opcode is used by the SW rx, offset(sp) instruction

Table 14-3 MIPS16e JAL(X) Encoding of the x Field

x	bit 26	
	0	1
	JAL	JALX

Table 14-4 MIPS16e SHIFT Encoding of the f Field

f	bits 1..0			
	0	1	2	3
	00	01	10	11
	SLL	β	SRL	SRA

Table 14-5 MIPS16e RRI-A Encoding of the f Field

f	bit 4	
	0	1
	ADDIU ¹	β

1. The ADDIU function is used by the ADDIU ry, rx, immediate instruction

Table 14-6 MIPS16e I8 Encoding of the funct Field

funct	bits 10..8							
	0	1	2	3	4	5	6	7
	000	001	010	011	100	101	110	111
	BTEQZ	BTNEZ	SWRASP ¹	ADJSP ²	SVRS δ	MOV32R ³	*	MOVR32 ⁴

1. The SWRASP function is used by the SW ra, offset(sp) instruction
2. The ADJSP function is used by the ADDIU sp, immediate instruction
3. The MOV32R function is used by the MOVE r32, rz instruction
4. The MOVR32 function is used by the MOVE ry, r32 instruction

Table 14-7 MIPS16e RRR Encoding of the f Field

f	<i>bits 1..0</i>			
	0	1	2	3
	00	01	10	11
	β	ADDU	β	SUBU

Table 14-8 MIPS16e RR Encoding of the Funct Field

funct	<i>bits 2..0</i>								
	0	1	2	3	4	5	6	7	
<i>bits 4..3</i>	000	001	010	011	100	101	110	111	
0	00	$J(AL)R(C) \delta$	SDBBP	SLT	SLTU	SLLV	BREAK	SRLV	SRAV
1	01	β	*	CMP	NEG	AND	OR	XOR	NOT
2	10	MFHI	$CNVT \delta$	MFLO	β	β	*	β	β
3	11	MULT	MULTU	DIV	DIVU	β	β	β	β

Table 14-9 MIPS16e I8 Encoding of the s Field when funct=SVRS

s	<i>bit 7</i>	
	0	1
	RESTORE	SAVE

Table 14-10 MIPS16e RR Encoding of the ry Field when funct=J(AL)R(C)

ry	<i>bits 7..5</i>							
	0	1	2	3	4	5	6	7
	000	001	010	011	100	101	110	111
	JR rx	JR ra	JALR	*	JRC rx	JRC ra	JALRC	*

Table 14-11 MIPS16e RR Encoding of the ry Field when funct=CNVT

ry	<i>bits 7..5</i>							
	0	1	2	3	4	5	6	7
	000	001	010	011	100	101	110	111
	ZEB	ZEH	β	*	SEB	SEH	β	*

14.2 Instruction Listing

Table 14-12 through 14-19 list the MIPS16e instruction set.

Table 14-12 MIPS16e Load and Store Instructions

Mnemonic	Instruction	Extensible Instruction
LB	Load Byte	Yes
LBU	Load Byte Unsigned	Yes
LH	Load Halfword	Yes

Table 14-12 MIPS16e Load and Store Instructions

Mnemonic	Instruction	Extensible Instruction
LHU	Load Halfword Unsigned	Yes
LW	Load Word	Yes
SB	Store Byte	Yes
SH	Store Halfword	Yes
SW	Store Word	Yes

Table 14-13 MIPS16e Save and Restore Instructions

Mnemonic	Instruction	Extensible Instruction
RESTORE	Restore Registers and Deallocate Stack Frame	Yes
SAVE	Save Registers and Setup Stack Frame	Yes

Table 14-14 MIPS16e ALU Immediate Instructions

Mnemonic	Instruction	Extensible Instruction
ADDIU	Add Immediate Unsigned	Yes
CMPI	Compare Immediate	Yes
LI	Load Immediate	Yes
SLTI	Set on Less Than Immediate	Yes
SLTIU	Set on Less Than Immediate Unsigned	Yes

Table 14-15 MIPS16e Arithmetic Two or Three Operand Register Instructions

Mnemonic	Instruction	Extensible Instruction
ADDU	Add Unsigned	No
AND	AND	No
CMP	Compare	No
MOVE	Move	No
NEG	Negate	No
NOT	Not	No
OR	OR	No
SEB	Sign-Extend Byte	No
SEH	Sign-Extend Halfword	No

Table 14-15 MIPS16e Arithmetic Two or Three Operand Register Instructions

Mnemonic	Instruction	Extensible Instruction
SLT	Set on Less Than	No
SLTU	Set on Less Than Unsigned	No
SUBU	Subtract Unsigned	No
XOR	Exclusive OR	No
ZEB	Zero-Extend Byte	No
ZEH	Zero-Extend Halfword	No

Table 14-16 MIPS16e Special Instructions

Mnemonic	Instruction	Extensible Instruction
BREAK	Breakpoint	No
SDBBP	Software Debug Breakpoint	No
EXTEND	Extend	No

Table 14-17 MIPS16e Multiply and Divide Instructions

Mnemonic	Instruction	Extensible Instruction
DIV	Divide	No
DIVU	Divide Unsigned	No
MFHI	Move From HI	No
MFLO	Move From LO	No
MULT	Multiply	No
MULTU	Multiply Unsigned	No

Table 14-18 MIPS16e Jump and Branch Instructions

Mnemonic	Instruction	Extensible Instruction
B	Branch Unconditional	Yes
BEQZ	Branch on Equal to Zero	Yes
BNEZ	Branch on Not Equal to Zero	Yes
BTEQZ	Branch on T Equal to Zero	Yes
BTNEZ	Branch on T Not Equal to Zero	Yes
JAL	Jump and Link	No

Table 14-18 MIPS16e Jump and Branch Instructions

Mnemonic	Instruction	Extensible Instruction
JALR	Jump and Link Register	No
JALRC	Jump and Link Register Compact	No
JALX	Jump and Link Exchange	No
JR	Jump Register	No
JRC	Jump Register Compact	No

Table 14-19 MIPS16e Shift Instructions

Mnemonic	Instruction	Extensible Instruction
SRA	Shift Right Arithmetic	Yes
SRAV	Shift Right Arithmetic Variable	No
SLL	Shift Left Logical	Yes
SLLV	Shift Left Logical Variable	No
SRL	Shift Right Logical	Yes
SRLV	Shift Right Logical Variable	No

Revision History

In the left hand page margins of this document you may find vertical change bars to note the location of significant changes to this document since its last release. Significant changes are defined as those which you should take note of as you use the MIPS IP. Changes to correct grammar, spelling errors or similar may or may not be noted with change bars. Change bars will be removed for changes which are more than one revision old.

Please note: Limitations on the authoring tools make it difficult to place change bars on changes to figures. Change bars on figure titles are used to denote a potential change in the figure itself. Certain parts of this document (Instruction set descriptions, EJTAG register definitions) are references to Architecture specifications, and the change bars within these sections indicate alterations since the previous version of the relevant Architecture document.

Table A-1 Revision History

Revision	Date	Description
1.00	April 29, 2005	<ul style="list-style-type: none"> Initial release for 24KE family document, with addition of DSP ASE
1.01	June 30, 2005	<ul style="list-style-type: none"> Added new performance counter events Clarified handling of CACHE instruction to Data ScratchPad RAM Added EJTAG PC Sampling capability and compliance to EJTAG specification version 3.1. Updates to comply with PDtrace and TCB Specification version 4.1; added TCBCONTROL register.
1.02	December 14, 2005	<ul style="list-style-type: none"> Removed use of undefined 'cache block' term from CACHE instruction description Clarified which coprocessor0 registers were used by CACHE instructions Remove description of non-way select or spram CACHE instructions when ErrCtl_{WST/SPR} bits are set Update Config1 and TagLo descriptions to reflect 8KB cache option Update description of debug control register to reflect PC Sampling